

Retro-Reflective Sensor E3NT-R
Photoelectric Sensor

OPERATION MANUAL

OMRON

Table of Contents

SECTION 1: Important Precautions	3
1-1 Using the operating instructions3
1-2 Use in accordance with the intended purpose3
1-3 Use that is not in accordance with the intended purpose3
1-4 Warranty and liability3
1-5 Key to symbols3
1-6 Abbreviations3
SECTION 2: Safety Notes	5
2-1 Safety notes5
SECTION 3: Specification.	7
3-1 Specifications of Retro-reflective sensor E3NT-R__7.7
3-1-1 General data7
3-1-2 Optical data7
3-1-3 Mechanical data7
3-1-4 Electrical data8
3-2 Specifications of Optical data link E3NT-AL232 (order separately)8
3-3 Specifications of Laser alignment aid E3NT-AP1(order separately)9
3-4 Dimensions9
3-4-1 Sensor E3NT-R17 and E3NT-RH17 (with horizontal connector)9
3-4-2 Sensor E3NT-R37 and E3NT-RH37 (with vertical connector)	10
3-4-3 Universal mounting bracket E39-EL1 (order separately)	10
3-4-4 Adapter bracket E39-EL2 (order separately)	11
3-4-5 Optical data link E3NT-AL232 2m (order separately)	11
3-4-6 Alignment bracket E39-EL4 (order separately)	12
3-4-7 Laser alignment aid E3NT-AP1 (order separately)	12
3-4-8 Retroreflectors (order Separately).	13
SECTION 4: Function	15
4-1 Functions.	15
4-2 Display and operator controls	15
4-2-1 LED display	15
4-2-2 LEDs	15
4-2-3 Push buttons on the sensor	16
4-2-4 Set-up via a PC	16
4-3 User set parameters	16
4-3-1 Output function	16
4-3-2 Output switching	17
4-3-3 Function of connector pin 2 and 5.	17
4-3-4 Switch-on delay	17
4-3-5 Switch-off responses	17
4-3-6 Timing diagrams	18
4-3-7 Keyboard lock	18
4-3-8 ECO energy saving mode	18
4-3-9 Reset	18
4-4 Inputs/Outputs.	18
4-4-1 Input: Test input TEST	18
4-4-2 Outputs	19
SECTION 5: Transport	21
5-1 Packaging / Transportation damage	21

5-2	Storage	21
5-3	Scope of delivery	21
SECTION 6: Mechanical installation of the sensor		23
6-1	Safety notes	23
6-2	Sensor assembly.	23
6-2-1	Sensor's assembly direction	23
6-2-2	Assembly via assembly holes	24
6-2-3	Assembly by universal mounting bracket E39-EL1	24
6-2-4	Assembly with adapter bracket E39-EL2 and bracket E39-EL1	24
SECTION 7: Electrical Connection		25
7-1	Safety notes	25
7-2	Establishing electrical connection	25
7-3	Connection diagrams	26
7-3-1	Output circuits	26
7-3-2	Input circuits	26
7-3-3	Connector pin assignments	27
7-4	Connection in line with EMC requirements	27
SECTION 8: Setting into Operation		29
8-1	Safety notes	29
8-2	Switching on the operating voltage	29
8-3	Aligning the sensor	29
SECTION 9: Configuration		31
9-1	Setting the sensor using the push buttons	31
9-1-1	Display in the normal mode	31
9-1-2	Main menu structure	31
9-1-3	SET menu path	32
9-1-4	OPTIONS menu path	33
9-2	Setting the sensor with a PC	34
SECTION 10: Maintenance and Repair		35
10-1	Maintenance	35
10-2	Repair	35
SECTION 11: Accessories and Parts		37

SECTION 1: Important Precautions

1-1 Using the operating instructions

These operating instructions refer exclusively to retro – reflective sensors in the E3NT type series. They contain the most important notes for operating the sensor in line with safety requirements.

The operating instructions must always be close at hand and accessible at all times, and must be kept together with the higher-level machine installation. The contents of these operating instructions must be read and understood, and all its points must be followed by everyone who is responsible for machine planning, assembly and operation. This particularly applies to the safety notes.

Observance of the safety notes will help to avoid accidents, malfunctions and faults.

1-2 Use in accordance with the intended purpose

Retro – reflective sensors in the E3NT type series are always operated as part of a higher-level overall system, e.g. a machine installation. They may only be used as optical sensors to check the presence of objects within a machine installation with a higher-level control system.

Any other use, or any use exceeding this scope, is not permitted. Use in accordance with the intended purpose also includes observance of the operating instructions and keeping to the inspection and maintenance specifications in accordance with the system documentation.

1-3 Use that is not in accordance with the intended purpose

Retro – reflective sensors in the E3NT type series must not be used as safety components within the scope of the EU machine guideline. Its use in applications in which the safety of persons depends on functioning of the sensor is not permissible!

1-4 Warranty and liability

Our Terms and Conditions of Delivery and Payment fundamentally apply. These are available to the owner at the latest as from conclusion of a contract. Warranty and liability claims for personal injury and property damage are ruled out if they are attributable to one or several of the following causes:

- Use of the sensor that is not in accordance with its intended purpose
- Improper assembly, commissioning and maintenance of the sensor
- Failure to observe the notes in the operating instructions in relation to transport, storage, assembly, commissioning and maintenance of the sensor
- Unauthorized structural changes to the sensor
- Repairs carried out improperly
- Disasters resulting from the influence of foreign bodies and acts of God.

1-5 Key to symbols

The following symbols are used in these operating instructions:



Important information



Risk of damage to the machine or material



Risk of injury to life and limb in general

1-6 Abbreviations

The following abbreviations are used in these operating instructions:

- IR: InfraRed
- PC: Personal Computer

SECTION 2: Safety Notes

2-1 Safety notes



The retro-reflective sensors belonging to the **E3NT** type series may only be used as described in these operating instructions. They may only be operated as part of a higher-level overall system, e.g. a machine installation.



During machine planning and the use of retro-reflective sensors belonging to the **E3NT** type series, the safety and accident prevention regulations that are specific to use must be observed, e.g.:

EN 292, Safety of machines, general design principles

EN 60204, Electrical equipment of machines



Retro-reflective sensors belonging to the **E3NT** type series must not be used as safety components within the scope of the EU Machine guidelines.

Their use in applications in which the safety of persons depends on functioning of the sensor is not permissible!



The manufacturer and owner of the higher-level overall system, e.g. of a machine installation, is responsible for conformity with the national and international safety and accident prevention regulations that apply to the special application.



Assembly, electrical connection and maintenance may only be carried out by instructed, trained and authorized specialist personnel in accordance with applicable regulations after de-energizing the power supply and switching off the machine.

The machine must be safeguarded against reactivation.



Conversions and changes as well as tampering with the interior of the sensor, the data link and the alignment tool are forbidden. The notes contained in these operating instructions, in particular the chapters entitled **Safety notes** and **Maintenance and repair**, must be integrated into the operating instructions of the higher-level overall system.

SECTION 3: Specification

3-1 Specifications of Retro-reflective sensor E3NT-R__7

3-1-1 General data

Sensor type E3NT-R__7	<ul style="list-style-type: none"> • Polarized Retro-reflective sensor
Options	<ul style="list-style-type: none"> • Window heating
User settings / configuration	<ul style="list-style-type: none"> • By push button on the sensor or • with a PC connected via the optical data link
Optical data link (order separately)	<ul style="list-style-type: none"> • Set-up configuration via a PC / Laptop, • real-time visualization of sensor data • value output and logging, • firmware update

3-1-2 Optical data

Emitted light	<ul style="list-style-type: none"> • red LED (660 nm) (polarized light)
Rated sensing distance	<ul style="list-style-type: none"> • 16 m (when using E39-R8)
minimum required distance between sensor and reflector (dead zone)	<ul style="list-style-type: none"> • 200 mm
standard sensing object	<ul style="list-style-type: none"> • opaque with a diameter of about 100mm
ambient light immunity: Halogen source and sunlight Fluorescent lamps Energy saving lamps spot diameter	<ul style="list-style-type: none"> • 10,000 lux max. • 5,000 lux max. • 2,000 lux max. • about 100mm at 10m distance

3-1-3 Mechanical data

dimensions (length x width x depth)	85 x 27 x 65 mm
materials Housing Front and top panel Keyboard Seals	Powder-coated aluminum (231 GD AISil2 (Cu)) Glass HTV silicone RTV silicone
housing color	Grey (RAL 7030)
assembly possibilities	Screw fastening by way of four M5 threads and two M5 through holes or with universal mounting bracket (order separately)
connection method	M12, 5-pole connector
operation ambient temperature	- 25°C to + 55°C (without pane heating) - 40°C to + 55°C (with pane heating)
storage ambient temperature	- 40°C to + 70°C
ambient relative humidity	35 % to 95 %, no condensation
enclosure rating (EN 60529)	IP 67
protection class	II (50 V DC)
shock resistance (EN 68000-2-27)	300 m/s ² , 3 times each axis X, Y, Z
vibration resistance (EN 68000-2-6)	± 1.5 mm double amplitude for 1h , 10-70 Hz, each axis X, Y, Z
weight	approx. 200g

3-1-4 Electrical data

Rated operating voltage	+ 24 V DC, polarized (for Firmware update U>16V DC necessary)
Operating voltage range	+ 10 V DC to + 30 V DC (incl. 10% ripple (p-p))
Current consumption	< 110 mA (for the display on; pane heating off) < 90 mA (for the display off; pane heating off) < 200 mA (for the display on; pane heating on) < 180 mA (for the display off; pane heating on)
Power-on delay	< 300 ms
Inputs – / Output – pins	Pin 2 = input (In 2) or output (Out 2) depending on configuration Pin 4 = output (Out 1) Pin 5 = Input (In 1)
outputs	selectable: <ul style="list-style-type: none"> switching output alarm output (dirt detection)
output circuit	selectable: <ul style="list-style-type: none"> PNP (open collector) (default setting) NPN (open collector) complementary (push-pull)
output power voltage	30 V DC max.
output current	100 mA max.
residual voltage	< 2,0 V max.
residual current	< 100 μ A
circuit protection	<ul style="list-style-type: none"> Reversed power supply connection overload (load short circuit) short-circuit (pulsed)
Inputs	<ul style="list-style-type: none"> test input
Input circuit	Voltage input +10 V ... U Supply
Input pulse duration	1 ms min.
Switch-on / -off time (T _{ON} / T _{OFF})	\leq 2.5 ms
Insulation resistance	20 M Ω at 500 V DC
Insulation dielectric strength	1 kV AC, 50/60 Hz for 1 min

3-2 Specifications of Optical data link E3NT-AL232 (order separately)

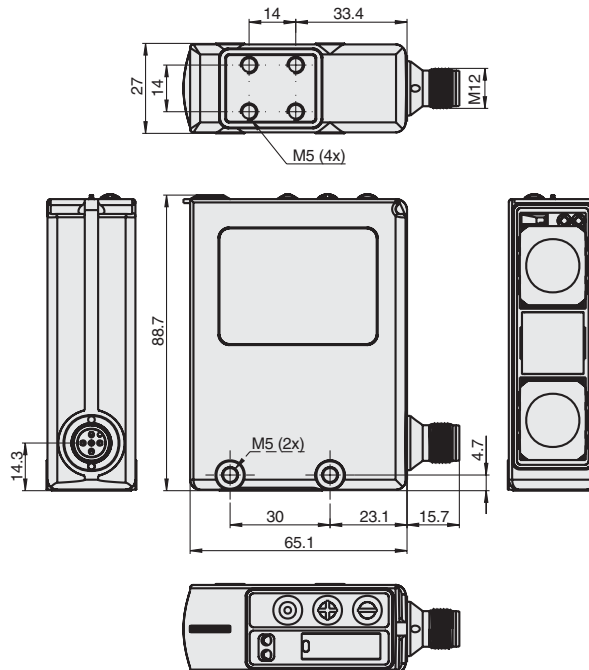
Dimensions (length x width x depth)	29.5 x 72.9 x 26.4 mm
Housing material	ABS and PMMA (IR transparent)
Housing color	Black, RAL 9005
Assembly	Snap mounting on sensor
Connection	2 m connecting cable with 9-pole sub-D connector
Ambient temperature range	- 10 °C ... + 50 °C
Storage temperature range	- 40 °C ... + 60 °C
Permissible relative humidity	35 % ... 85 %, no condensation
Degree of protection to EN 60529 / IEC 529	IP 54
Emitted light	IR communication element 880 nm
Rated operating voltage	Via RS232 interface from PC
Current consumption	6 mA

3-3 Specifications of Laser alignment aid E3NT-AP1(order separately)

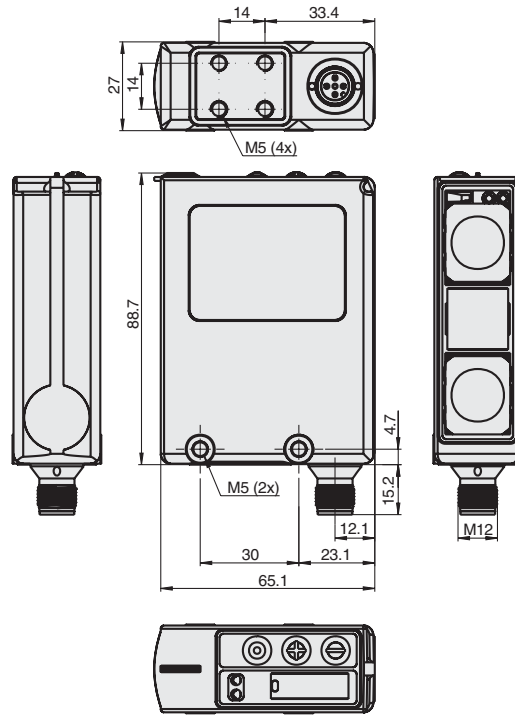
Supply voltage	3V DC
battery type	button battery \varnothing 11,6mm, thickness: 5,4mm, 3V type: CR1/3N
Ambient temperature	operation: 10 to 40°C storage: -10 to +60°C (with no icing or condensation)
Ambient humidity	Operation & storage : 35% to 85% (with no icing or condensation)
Ambient environment	No corrosive gases
Operation time period	min. 5 hours operation with 1 new battery
Degree of protection	IP20 (IEC60529)
Case material	case: ABS/PC base plate: Aluminum
Weight	Approx. 42g
Accessories	<ul style="list-style-type: none"> • 1 Instruction sheet • 1 battery type CR1/3N
max. distance for a visible beam spot	about 50m (depending on the ambient light and surface conditions)
laser beam power	< 1mW
laser class	Laser Class II

3-4 Dimensions

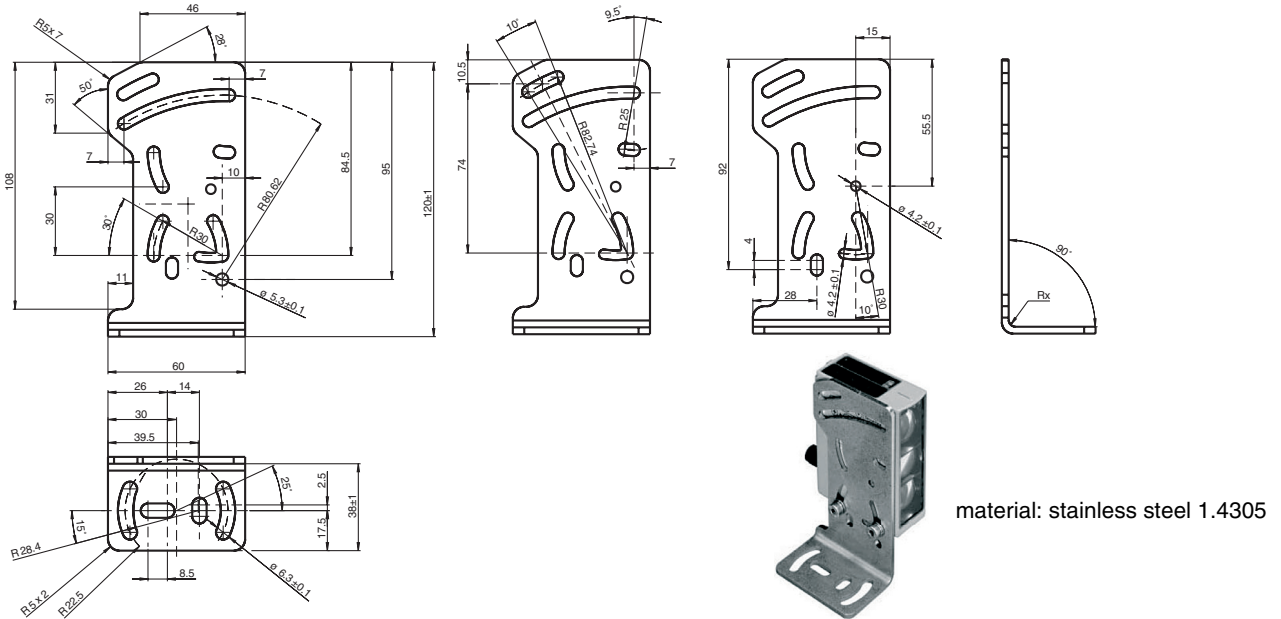
3-4-1 Sensor E3NT-R17 and E3NT-RH17 (with horizontal connector)



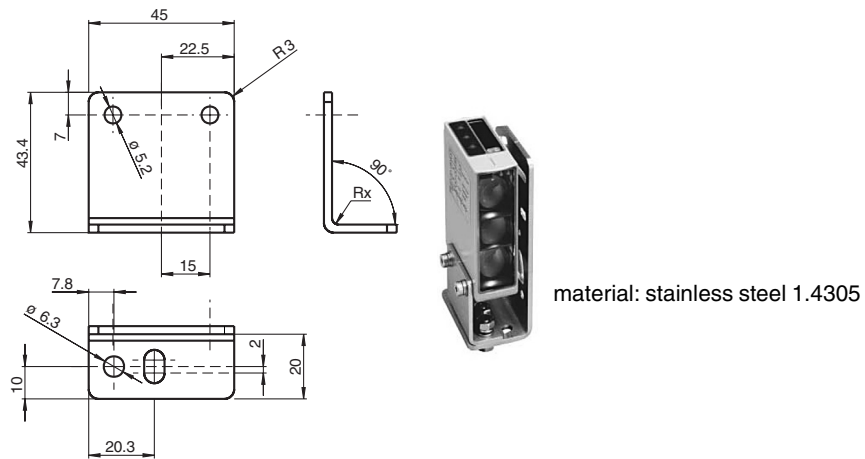
3-4-2 Sensor E3NT-R37 and E3NT-RH37 (with vertical connector)



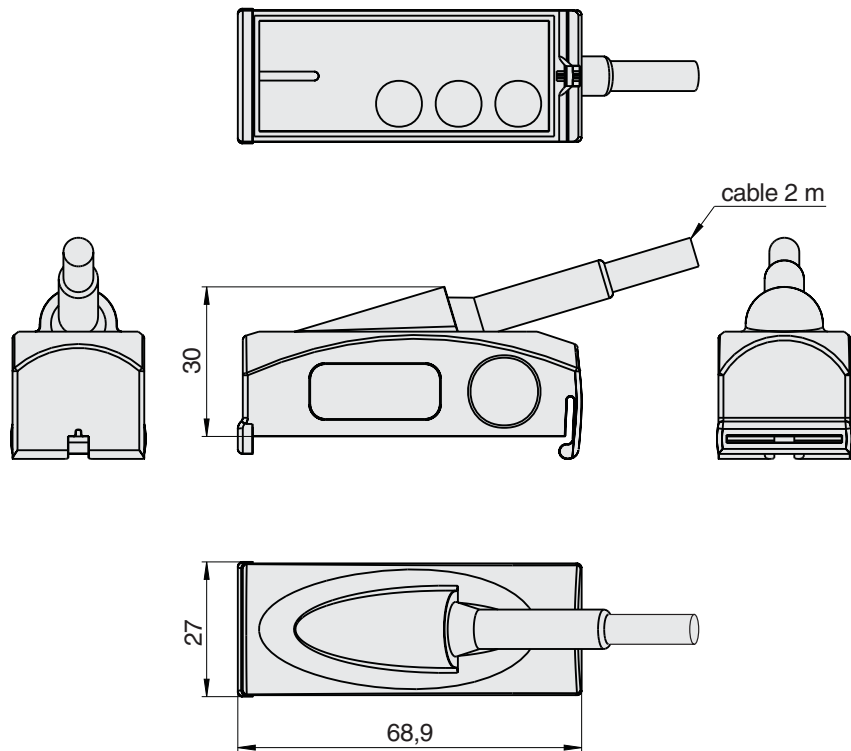
3-4-3 Universal mounting bracket E39-EL1 (order separately)



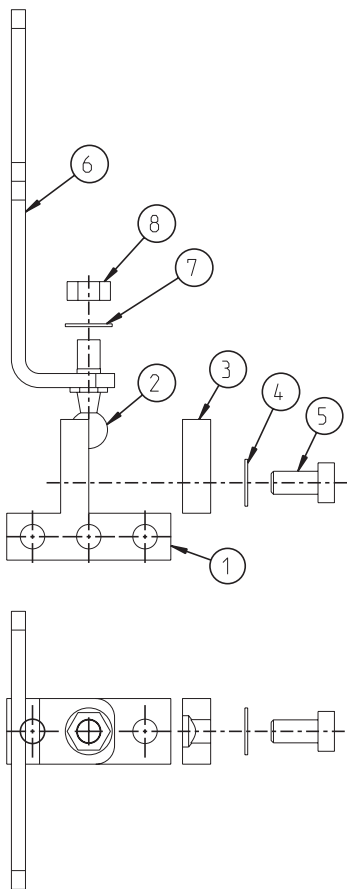
3-4-4 Adapter bracket E39-EL2 (order separately)



3-4-5 Optical data link E3NT-AL232 2m (order separately)

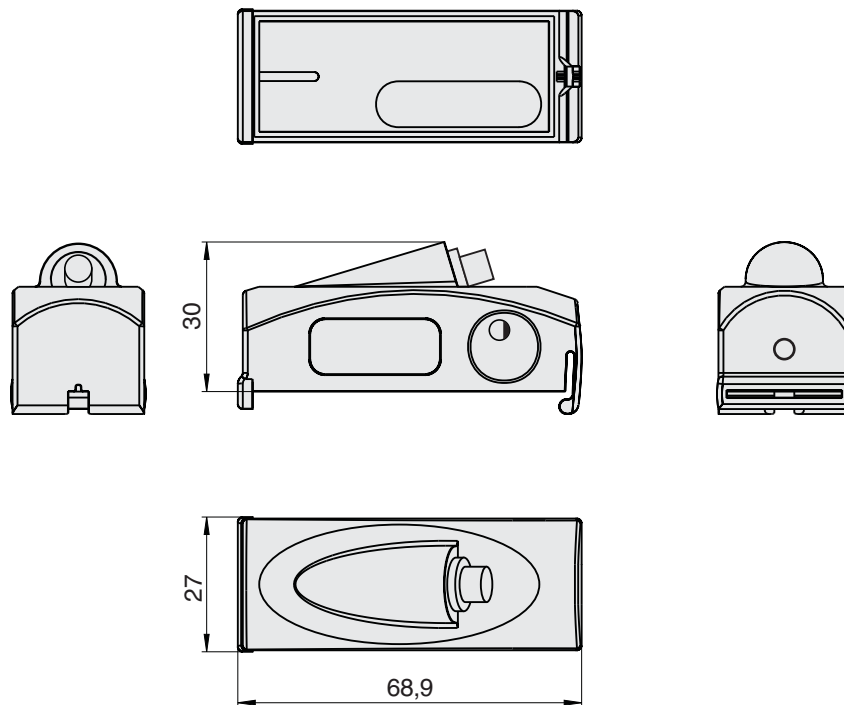


3-4-6 Alignment bracket E39-EL4 (order separately)



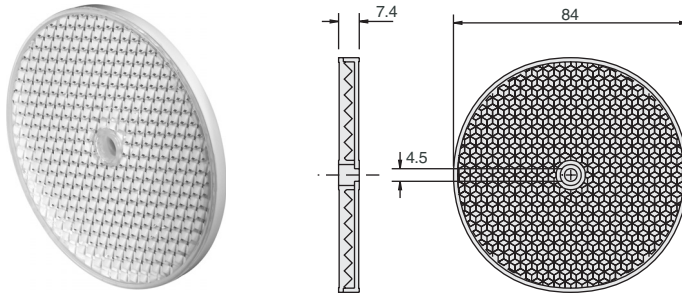
Part	Quantity	Description
1	1	base part
2	1	ball - and socket joint
3	1	counter pressure part
4 & 7	2	washer
5	1	screw M5
6	1	bracket
8	1 nut	
material zinc - coated steel		

3-4-7 Laser alignment aid E3NT-AP1 (order separately)

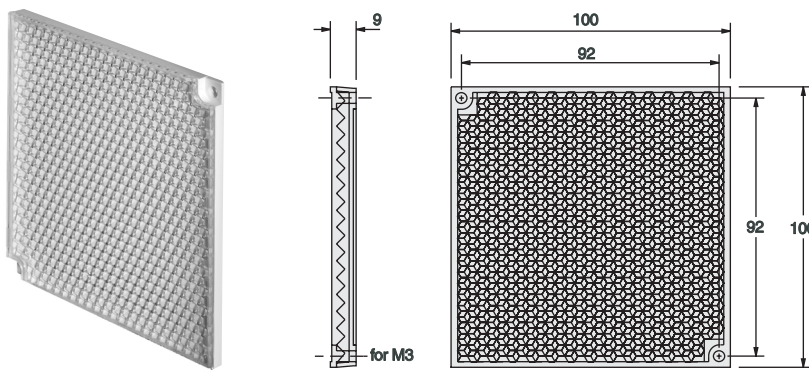


3-4-8 Retroreflectors (order Separately)

3-4-8-1 E39-R7 (Ø 84 mm)

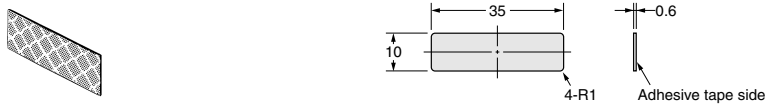


3-4-8-2 E39-R8 (100 mm x 100 mm)

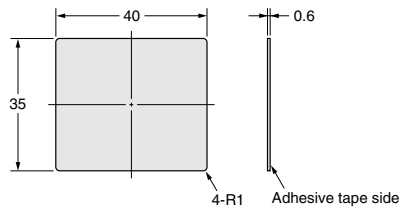
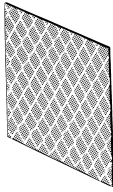


3-4-8-3 E39-R40 (80 mm x 80 mm)

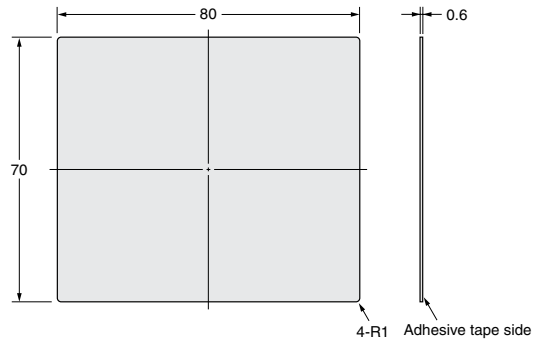
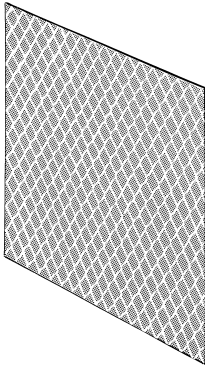
3-4-8-4 Adhesive tape E39-RS1



3-4-8-5 Adhesive tape E39-RS2



3-4-8-6 Adhesive tape E39-RS3

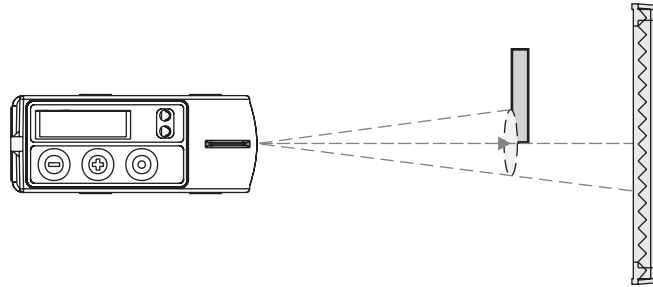


SECTION 4: Function

4-1 Functions

Retro-reflective sensors in the **E3NT** type series are operated with retro-reflectors. The emitted light is polarized. The light is reflected by the retro-reflector and the polarization of the light is changed. The reflected light is detected by the receiver element, which is integrated in the sensor.

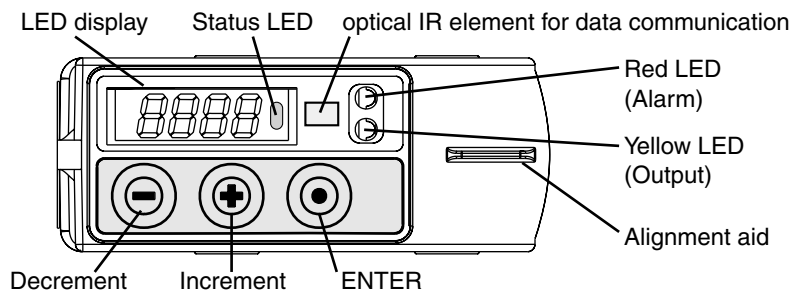
If the light spot is not completely interrupted by the object, the object may not be detected correctly.



The sensor can be user set by push button on the unit or with a PC and the SensorSupportSoftware S3 via an optical data interface E3NT-AL232 (order separately). The optical data interface operates with an IR communication element. Through the optical data interface, the receiver light intensity data can also be transferred continuously to a PC/ laptop and stored there (data logging).

4-2 Display and operator controls

Operating states are displayed by a 4-digit 7-segment LED display and two LEDs. The sensor can be operated/set either by push buttons on the sensor or with a PC and setting software (order separately) via an optical data interface (order separately).



4-2-1 LED display

The light intensity of the received light and the names of the menu levels during set-up of the sensor are displayed by the 4-digit 7-segment LED display. The display appears as red digits or letters or green LED bar chart.

4-2-2 LEDs

The switching status and the stability of the output are signaled by three LEDs. Two of them are visible from the top and the front of the sensor:




- Yellow LED:
 - ON : Object stably detected
 - OFF: No object within range
- Red LED:
 - ON: Alarm output on
 - OFF: normal function

- Status LED – The status LED is only visible from the top of the sensor:

ON:	Set-up menu selected
Blinking:	Menu level with change
OFF:	RUN (normal) mode

4-2-3 Push buttons on the sensor

On the sensor, there are three push buttons for the setting of the sensor:

- Minus key 
- Plus key 
- Enter key 

With these three push buttons, the operator moves through the sensor's menu and sets the parameters in accordance with the application. Therefore, all parameters can be set directly on the sensor.

4-2-4 Set-up via a PC

All parameters of the sensor can be set also with a PC (or Laptop) and the OMRON SensorSupportSoftware S3. The connection between the sensor and the PC is established via an optical data interface (E3NT-AL232 2m). The data interface is connected to a free COM port of a PC/laptop. Also the USB – RS232 Converter of OMRON can be used to realize the connection. Refer to the separate operating instructions ABBO0018 for further information on setting with a PC and the SensorSupportSoftware S3 .

4-3 User set parameters

The following parameters can be user set either by push buttons on the sensor or with a PC and the set-up software S3 via the optical data interface (order separately):

- Output function
- Output switching
- Function on connector pins 2 and 5
- Switch-on and off delay
- Type of time delay function
- Keyboard lock
- Energy saving mode
- Display direction
- Reset to factory defaults

The following functions can only be set with a PC and the set-up software S3 via the optical data interface (order separately):

- Complete sensor locking

4-3-1 Output function

The output function can be set for the output:

- Light on (factory default):
The output is active when the reflected light is detected at the receiver.
- Dark on:
The output is active when no reflected light is detected at the receiver.

4-3-2 Output switching

Output switching can be user set jointly for both outputs:

- PNP:
The output is set to plus-switching with open collector.
- NPN:
The output is set to minus-switching with open collector.
- Push-pull:
The output is set to complementary (plus/minus-switching) (factory default).

Refer to *7-3 Connection diagrams*.

4-3-3 Function of connector pin 2 and 5

Pin 2 of the connector can be user set as an alarm output or as a test input.

Pin 5 of the connector can be user set as a test input or switched off (factory default).

4-3-4 Switch-on delay

This defines the switch-on response. The time is adjustable between 0 ms and 9999 ms.

- Switch-on delay:
The switch-on delay starts as from the time when the measured object enters the sensing zone. The output does not become active until the switch-on delay has elapsed.

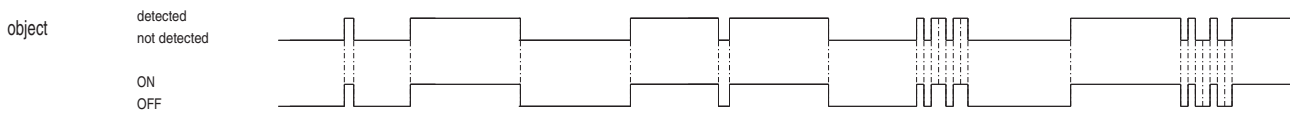
4-3-5 Switch-off responses

This defines the switch-off response. The time is adjustable between 0 ms and 9999 ms. There are 3 different kind of responses possible:

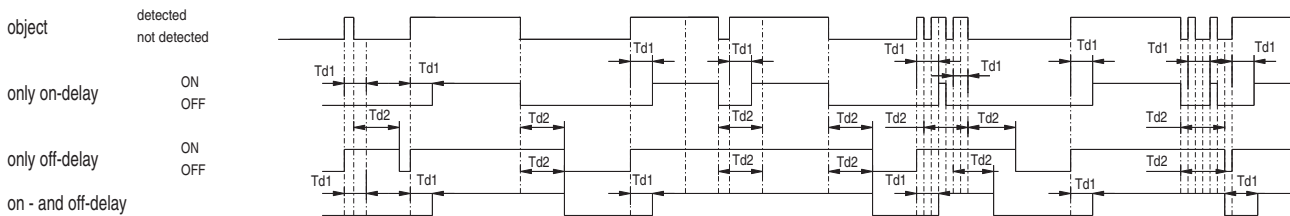
- Switch-off delay:
The switch-off delay starts as from the time when the measured object leaves the sensing zone. The output does not become inactive until the switch-off delay has elapsed.
- Minimum pulse width:
After detection of a measured object, the output remains active for at least the user set switch-off delay. If the measured object dwells in the sensing zone for longer than the set minimum pulse width, then the output becomes inactive immediately after the object leaves the sensing zone.
- Constant pulse width:
After detection of a measured object, the output only remains active during the user set constant pulse width and becomes inactive after this time has elapsed, regardless of the measured object's dwell time, even if the measured object stays in the sensing zone for longer than the user set switch-off delay.

4-3-6 Timing diagrams

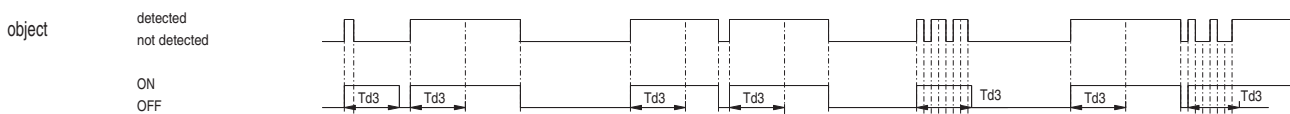
Timer functions off



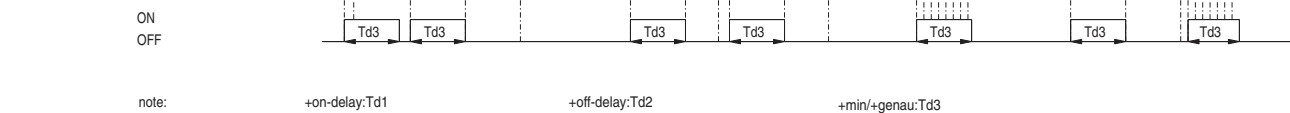
Mode on-1 (on-/off-1-delay)



Mode on-2 (minimum pulse width)



Mode on-3 (constant pulse width)



note: +on-delay:Td1 +off-delay:Td2 +min/+genau:Td3

4-3-7 Keyboard lock

With the keyboard lock function, the push buttons on the sensor can be locked to prevent inadvertent modification of the settings.

The lock can be activated and deactivated on the sensor. When the keyboard lock is active, changes can only be made after the Minus \ominus and Plus \oplus keys have been pressed simultaneously for 4 seconds. This temporarily suppresses the keyboard locking. If no key is pressed for about 150 seconds, the keyboard lock is automatically activated again.

4-3-8 ECO energy saving mode

In the ECO mode, the display switches off automatically approximately 3 minutes after the push buttons have been pressed for the last time.

The display is activated again the next time the push buttons are pressed. Deactivation of the sensor display reduces the sensor's current consumption by approximately 20 mA.

4-3-9 Reset

Reset returns the sensor to the factory default settings.

4-4 Inputs/Outputs

In total, the sensor can be operated with a maximum of three inputs/outputs. The functions of the inputs/outputs are user determined.

Connector pin 4 is always defined as output (OUT).

Connector pin 2 can be set as alarm output (ALARM), as test input (TEST).

Connector pin 5 can be set as test input (TEST) or OFF.

4-4-1 Input: Test input TEST

Connector pins 2 or 5 can be set as test input.

The emitter is deactivated if a signal in the operating voltage range is applied to this input. Depending on the absence of a detection object the sensor alters its output, because no light is emitted.

4-4-2 Outputs

4-4-2-1 Switching output OUT

When a measured object is detected, the switching output OUT (Connector pin 4, fixed) switch in accordance with the sensor's output function settings.

4-4-2-2 Alarm output ALARM

Connector pin 2 can be set as the alarm output. The alarm output is switched on if the intensity of reflected light from the reflector is too low. In this case, the sensor may be covered with dust. Please clean the sensor and check the alarm output again. This condition is indicated by the red LED too.

SECTION 5: Transport

5-1 Packaging / Transportation damage

- During transportation, please ensure that the sensor is not damaged by other objects.
- For transportation, only ever use the sensor's original packaging sealed properly.
- Keep the sensor's original packaging for later use.
- Report transportation damage immediately in writing to the haulage contractor and OMRON.

5-2 Storage

- For storage keep the sensor in original packaging that has been sealed properly.
- Protect the sensor against dust and moisture.

5-3 Scope of delivery

The sensor's scope of delivery consists of:

- Retro-reflective Sensor **E3NT-R**
- Short-form instruction sheet
- CD-ROM containing the S3 software, this operation manual, the S3 software manual and the Acrobat Reader software.

SECTION 6: Mechanical installation of the sensor

6-1 Safety notes



Assembly, electrical connection and maintenance must only be carried out by instructed, trained and authorized specialist personnel in accordance with applicable regulations, after de-energizing the power supply and with the machine switched off.

The machine must be safeguarded against reactivation.



Conversions and changes and tampering in the interior of the sensor, the data interface and the alignment tool are forbidden.



During assembly, do not knock the sensor or drop it.



The ambient conditions at the assembly location must conform to the technical data (see *SECTION 3: Specification*).

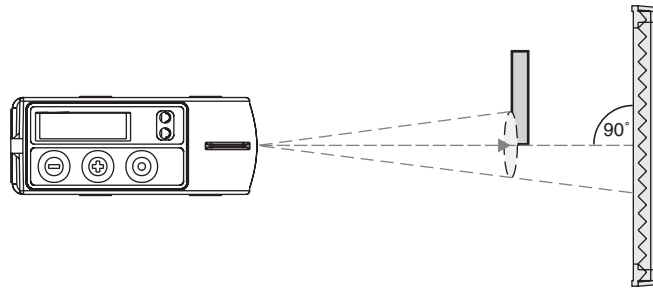
6-2 Sensor assembly

For installation the following points should be considered:

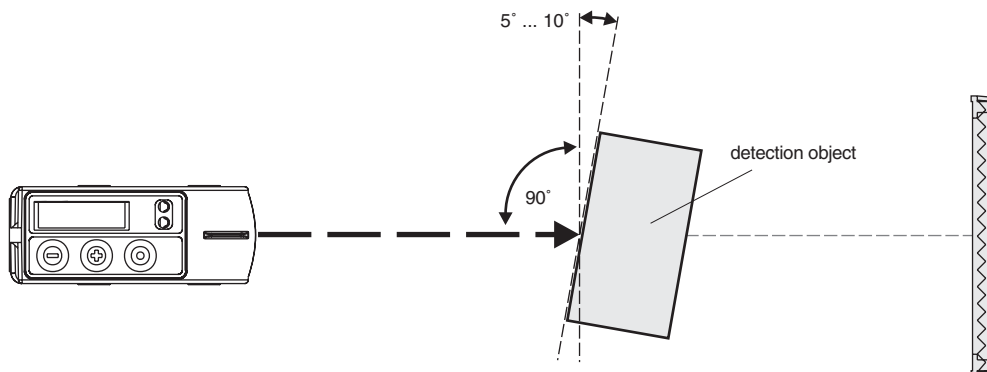
- The sensor is protected as far as possible against vibration and shock.
- The sensor is protected as far as possible against extraneous incident light.
- The sensor is protected as far as possible against damage and soiling.
- The sensor is installed in a way so that the electrical connection is possible.
- The sensor is as accessible as far as possible for maintenance work.
- The sensor is installed in a way so that the operation of the push buttons is possible.
- The display is visible.



6-2-1 Sensor's assembly direction

As far as possible, the sensor's optical surface should be aligned parallel to the surface of the retro-reflector.



If the detection object has a glossy, reflecting surface, the object should be tilted by 5° ... 10° in relation to the surface of the light beam of the sensor.



-  If there is a reflecting surface in parallel with the sensor's optical axis, this might lead to unstable switching states. Therefore, reflecting objects within the sensor's optical axis should be avoided.
- If this should not be possible, the reflecting surface should not be parallel to the sensor's optical axis, but should be rotated by about 10°.
-  Mirror-like objects can cause malfunction inside and outside the sensing range. Avoid mirror-like objects in or close to the optical axis.

6-2-2 Assembly via assembly holes

1. Professionally produce securing holes/threaded holes corresponding to the six possible assembly holes of the sensor (see Section 3-3 Dimensions).
2. Professionally attach the sensor with suitable securing material.
3. Roughly align the sensor to the possible position of the measured object.
4. Tighten the securing screws.

6-2-3 Assembly by universal mounting bracket E39-EL1

1. Drill and tap the necessary securing holes / threaded holes according to the required pattern of the universal mounting bracket (see 3-4 Dimensions).
2. Using the included securing material, professionally fit the sensor on the mounting bracket.
3. With suitable securing material, professionally fit the mounting bracket on the body of the machine.
4. Roughly align the sensor to the possible position of the measured object.
5. Tighten the securing screws.



6-2-4 Assembly with adapter bracket E39-EL2 and bracket E39-EL1

Applying the adapter bracket E39-EL2 the universal mounting bracket E39-EL1 can be used as an adapter plate to mount the E3NT to existing holes.

1. Mount the bracket E39-EL1 to the existing assembly holes on the machine, if necessary produce additional ones.
2. Using the included securing material of the E39-EL1 professionally fit the sensor to the adapter bracket E39-EL2.
3. Using the included securing material professionally fit the adapter bracket to the universal mounting bracket E39-EL1.



SECTION 7: Electrical Connection

7-1 Safety notes



Assembly, electrical connection and maintenance must only be carried out by instructed, trained and authorised specialist personnel in accordance with applicable regulations, after de-energising the power supply and with the machine switched off.

The machine must be safeguarded against reactivation.



Conversions and changes and tampering in the interior of the sensor, the data interface and the alignment tool are forbidden.



A technical data of the supply voltage and of the input/output wires must conform to the technical data of the sensor (see sensor rating plate and SECTION 3 Specification).



Do not lay the sensor's connecting leads in the direct proximity of cables carrying higher voltages or together with cables that switch inductive or capacitive loads.



A power supply unit that conforms to the necessary EMC requirements must be used.



The operating voltage must be within the applicable operating voltage range. Unstabilised full or half-wave rectifiers must not be used for the power supply.



The electrical connection must conform to EMC requirements.



The equipotential bonding system for the machine must be produced in conformity with EN 60204-1, Section 8 "Equipotential bonding".



Check the operability of all equipotential bonding conductors in conformity with Section 20 of EN 60204-1 before releasing the machine for operation.

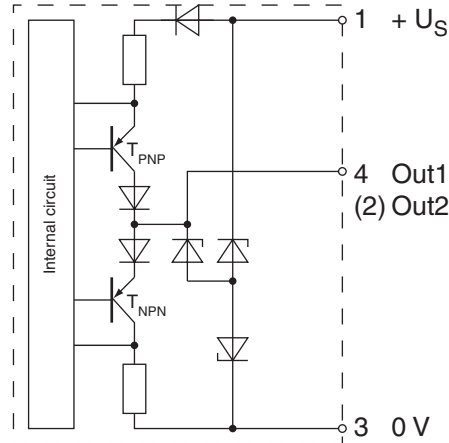
7-2 Establishing electrical connection

1. Establish electrical connection in conformity with the pin assignments described in SECTION 7-3 Connection diagrams.
2. Professionally establish the equipotential bonding system, the protective earthing, the shielding and the sensor wiring in line with EMC requirements (see 7-4 *Connection in line with EMC requirements*).

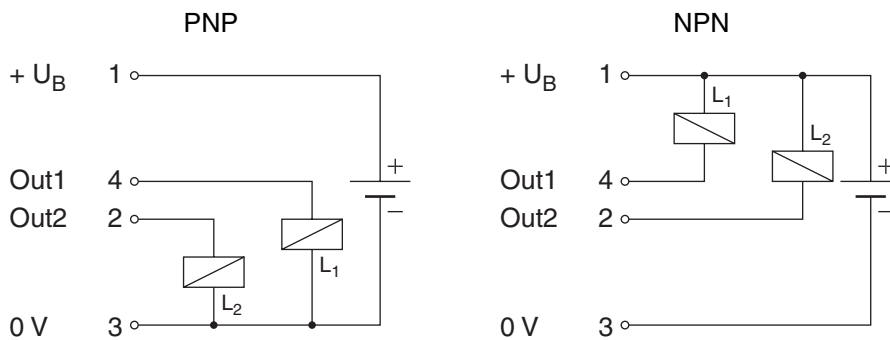
7-3 Connection diagrams

7-3-1 Output circuits

The sensor is factory set to a PNP output. The output circuit is resistant to short-circuits and reversed power supply.



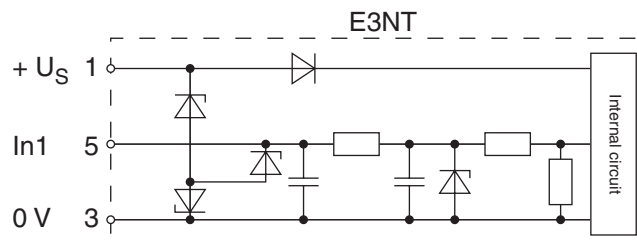
- When use is made of the PNP or NPN output circuit, the output circuit which has not been selected is deactivated.
- When used as a complementary output, NPN or PNP outputs act in antiphase as the switch state changes.



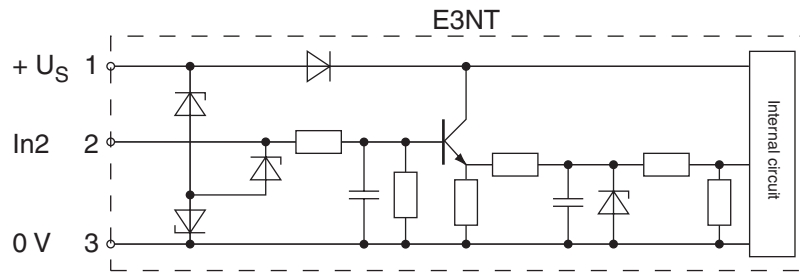
7-3-2 Input circuits

The sensor inputs are realized in positive logic and detect a positive voltage level of more than 1 ms duration as a valid signal if the voltage level is between 10 V and the power supply voltage.

Pin 5 input circuit:



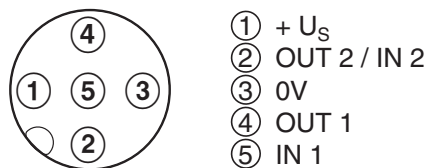
Pin 2 input circuit:



Pin 2 can be set as input or output (factory default)

7-3-3 Connector pin assignments

The sensor is connected by means of a standard 5-pole M12 connector. The pin assignment is depicted below with the view of connector pins on the sensor.



7-4 Connection in line with EMC requirements

To ensure stable functioning of the sensor the following precautions should be considered:

- In environments with high interference levels, use cables with twisted-pair wires and/or shielded cables.
- When cables are introduced into an EMC control cabinet, guide the cable shield without interruption through the wall of the EMC control cabinet (e.g. via a cable conduit).
- Professionally connect the cable shield to the control cabinet housing (flat surface, conductive).
- Professionally connect wires of cables or free cable ends that are not used to the cable shield on both ends of the cable.
- If the control cabinet is connected by means of connectors, use connectors with a metal housing and a leading protective earth contact (in accordance with EN 60204-1) only.
- Conductively connect the cable shield to the connector housing.
- Professionally connect the mating connector to the control cabinet housing (flat surface, conductive).
- Route supply and signal leads in separate cable ducts.
- Route supply and signal leads as closely as possible to the equipotential bonding conductor.
- Do not route cable ducts in the proximity of strong electromagnetic interference sources such as electric motors or transformers.
- Suitable protective measures conforming to EN 60204-1 must be taken if the cable layout does not fully rule out the risk of lightning strikes.

SECTION 8: Setting into Operation

8-1 Safety notes



The retro-reflective sensors in the E3NT type series may only be used as described in these operating instructions. They may only be operated as part of a higher-level overall system, e.g. of a machine installation.



Retro-reflective sensors in the E3NT type series must not be used as safety components within the scope of the EU machine guideline. Their use is not permitted in applications in which the safety of persons depends on functioning of the sensor!

8-2 Switching on the operating voltage

After the operating voltage has been switched on, the sensor runs a power-on reset with a self-test.

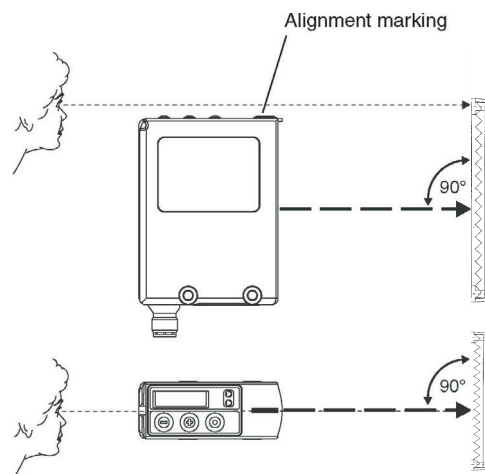


The flashing display “----” appears in the event of a short-circuit at the outputs. The sensor continues normal functioning once the short-circuit at the outputs has been remedied.

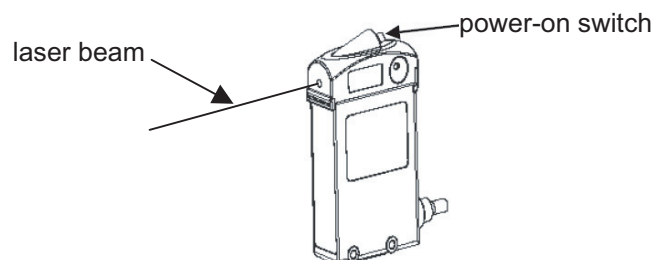
8-3 Aligning the sensor

Hence the sensor must be aligned relative to the optical axis in direction of the retro-reflector. The alignment marking on the top of the sensor can be used as a sighting line for the optical axis, thus simplifying alignment.

1. Position the measured object at the required position in front of the sensor.
2. Undo the securing screws.
3. Align the sensor's optical axis/alignment marking to the measured object.
4. Tighten the securing screws.
5. Check alignment once again.




For alignment over long distances, the laser alignment aid (E3NT-AP1) can be used (order separately). This alignment aid can be clicked on top of the sensor and a visible laser beam gives a hint of the direction of the sensor.



SECTION 9: Configuration

9-1 Setting the sensor using the push buttons


The sensor is set by means of three push buttons. With these push buttons, the user navigates through the setting menus, through which all necessary sensor settings can be made.

 If no keys are pressed for 2 minutes during set-up, the sensor returns automatically to run mode.

9-1-1 Display in the normal mode

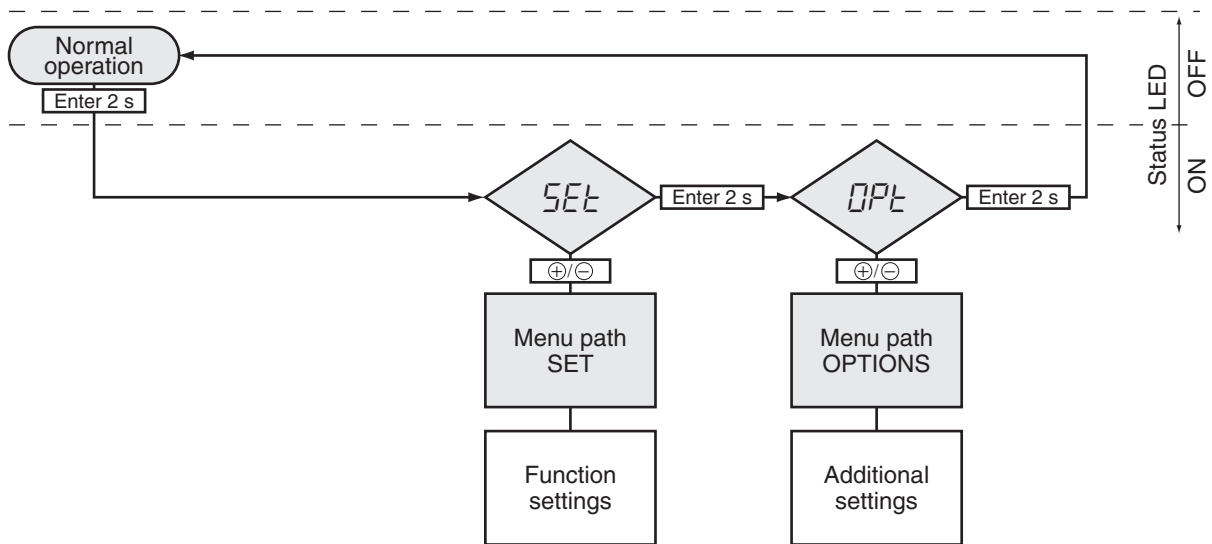
Depending on the user set-up, the sensor's display shows the following in the run mode:

- Status LED is turned off.
- Digital display:
The current received light intensity is depicted in the bar chart.

 The flashing display “----” appears in the event of a short-circuit at the outputs. The sensor continues normal functioning once the short-circuit at the outputs has been remedied.

9-1-2 Main menu structure

The following figure shows the structure of the main set-up menu.



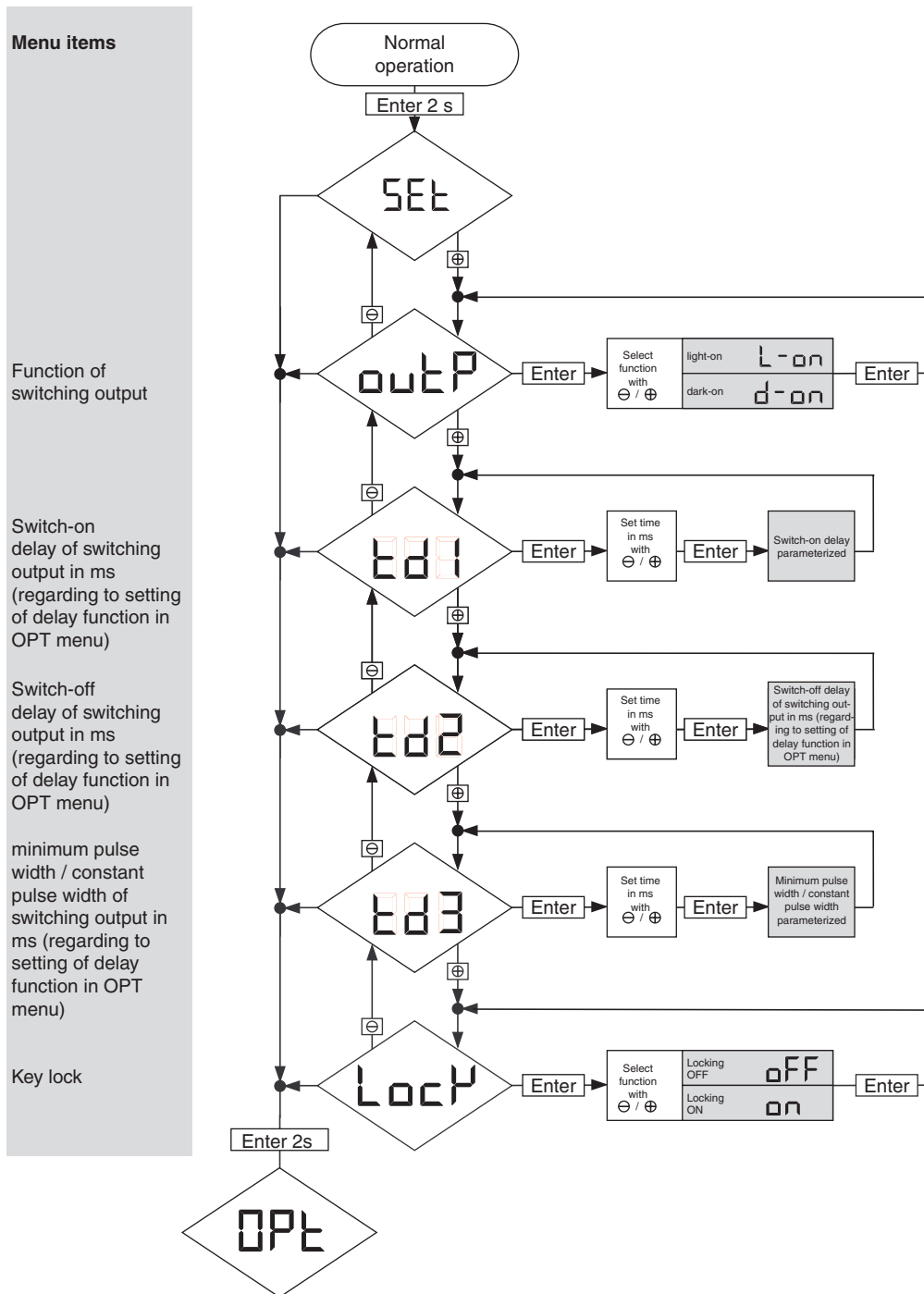
When the Enter ● key is pressed for 2 seconds, the sensor switches from the normal mode to the SET menu path. The sensor switches to each next menu path when the Enter ● key is repeatedly pressed for 2 seconds. If no key is pressed for more than 2 minutes, the sensor returns to the normal operation state.

In the menu paths, the required parameters can be selected by pressing the ⊕ and ⊖ keys.

- For Enter a parameter or a selection: Press the Enter ● key < 1 second.
- For switching to the next main menu point: Press the Enter ● key > 2 second.
- To skip a menu path, you can also press the Enter ● key for 4 seconds.

9-1-3 SET menu path

All function parameters of the sensor are defined in the **SET** menu path. The Status LED is on.

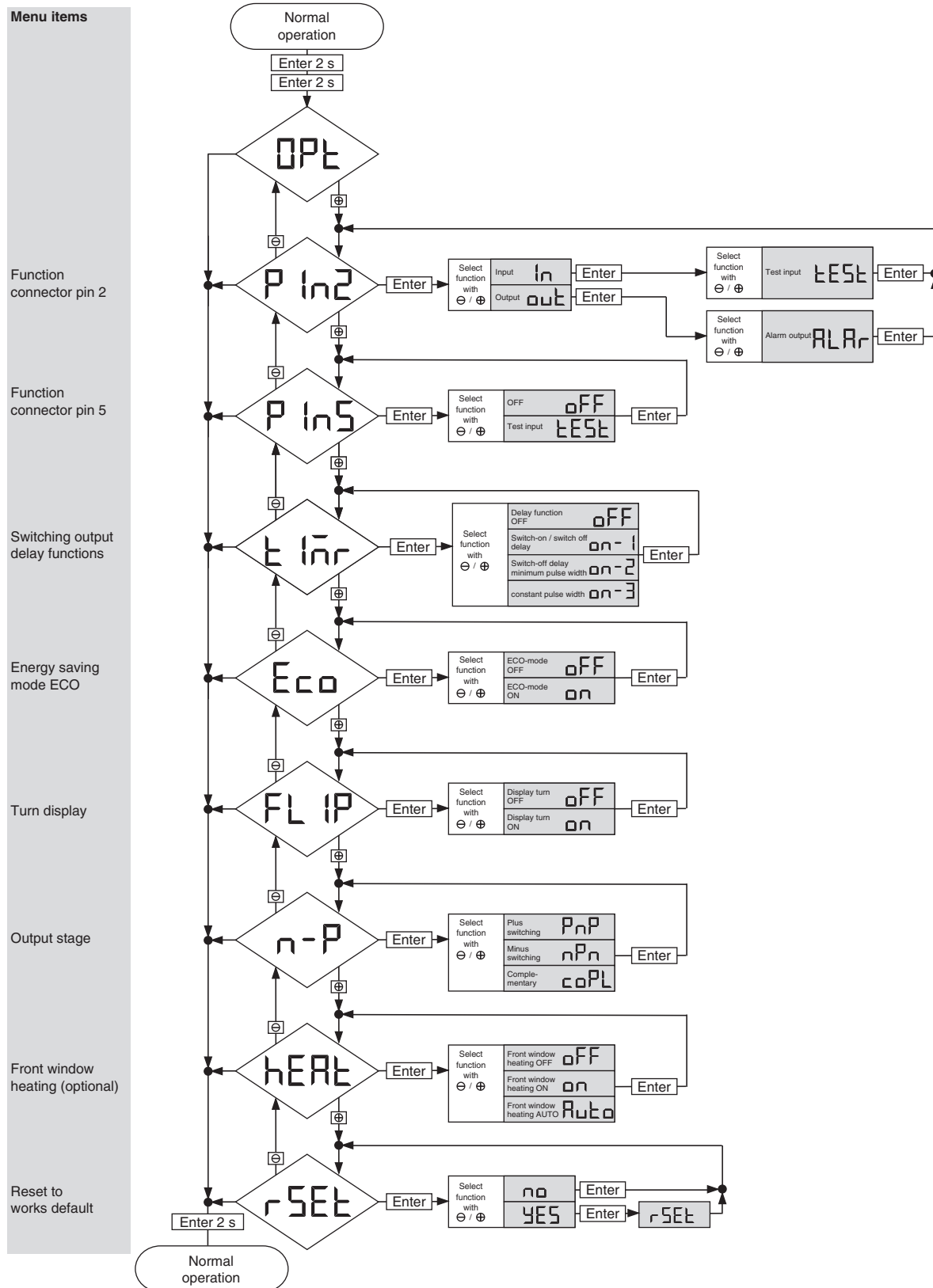


Remarks

1. If the delay-function is set to „off“ in the OPTIONS menu path, the switch-on/off delay parameters do not appear in the SET menu path.
2. The On-delay-setting and the Off-delay-setting are only available if the switch-on/off delay in the OPTIONS menu path is set to “on-1”.
3. The output behaves depending on the switch delay function that is set in the OPTIONS menu path.
4. The key lock becomes active again when no keys have been pressed for approx. 150 seconds. The key lock can be temporarily cancelled by pressing the ⊕ and ⊖ keys for 4 seconds.

9-1-4 OPTIONS menu path

All function options of the sensor are defined in the **OPTIONS** menu path. The Status LED is on.



Remarks


1. If the ECO energy saving mode is on, the display is switched off if no keys are pressed for about 3 minutes. The display is switched on again when any key is pressed.
2. The different modes for the switching output delay are described in chapter 4-3-4 *Switch-on delay* (page 17) and following

9-2 Setting the sensor with a PC

All parameters of the sensor can also be set with a PC and the OMRON SensorSupportSoftware S3. The connection between the sensor and the PC is established via an optical data interface (E3NT-AL232 2m). The data interface is clipped onto the sensor and should be connected to a free COM port on the PC/laptop via the interface cable.

Data communication with the PC can be used for the following functions:

- Sensor set-up and configurations
- Real time readout of the object distance of switching states of the stability of the alarm outputs
- Monitoring and archiving the sensor data
- Updating the sensor firmware:
 - ^ newer or a customized version of the sensor's operating program can be transferred to the sensor.

 The power supply voltage must be 16 V min. for firmware update.

Refer to the separate operating instructions for further information on set-up with a PC and the SensorSupportSoftware S3.

SECTION 10: Maintenance and Repair

10-1 Maintenance



Assembly, electrical connection and maintenance may only be carried out by instructed, trained and authorized specialist personnel in accordance with applicable regulations, after de-energizing the power supply and with the machine switched off.

The machine must be safeguarded against reactivation.

- ! Do not use any scratching or abrasive cleaning materials. The protective pane of the optical system might get damaged.
- ! The sensor requires no maintenance. Remove dirt build up from the optical system and the display at regular intervals only with a soft, non-abrasive fabric. Residual dirt may have influence on the performance and the accuracy of the sensor.

10-2 Repair

The sensor, the optical data interface and the alignment tool may only be repaired by the manufacturer. Send in the sensor and the optical data interface tool to the supplier for repair along with a description of the fault.

SECTION 11: Accessories and Parts

Description	Article number
Universal mounting bracket	E39-EL1
Adapter bracket	E39-EL2
Alignment bracket	E39-EL4
Laser alignment aid	E3NT-AP1
IR data interface, cable length 2 m	E3NT-AL232 2m
Straight cable socket, 5-pole, 2 m cable length	XS2F-D521-DG0-A
Straight cable socket, 5-pole, 5 m cable length	XS2F-D521-GG0-A
L-shaped cable socket, 5-pole 2 m cable length	XS2F-D522-DG0-A
L-shaped cable socket, 5-pole 5 m cable length	XS2F-D522-GG0-A
Retro-reflector round with diameter 8cm	E39-R7
Retro-reflector square shape (10cm x 10cm)	E39-R8
Retro-reflector rectangular shape (4cm x 6 cm)	E39-R1
Retro-reflective adhesive tape (35 x 10 mm)	E39-RSA
Retro-reflective adhesive tape (40 x 35 mm)	E39-RSB

Note: This selection represents the most commonly used accessories for this sensor. Other mounting brackets, cable sockets and reflectors are available. Please contact your OMRON sales representative for a complete overview of OMRON's sensor accessories.

