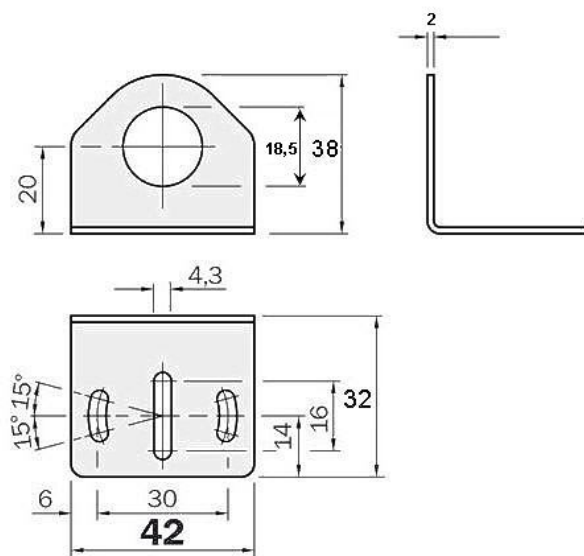


Mounting bracket

E39-EL12

Mounting bracket for horizontal mounting of M18 PES and PROX.

- 90° mounting
- Easy adjustment due to long slots



Ordering Information & Specification

Size	Applicable Sensors	Material	Order code
See drawings above	E3F2, E3FZ, E3F3, E2A-M18	Stainless steel	E39-EL12