

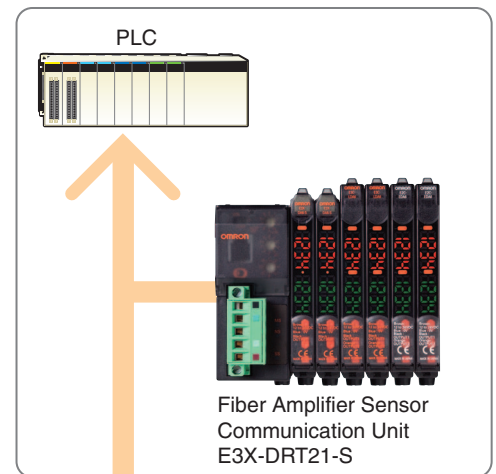
NEW

OMRON

### DeviceNet Model

## Fiber Amplifier Sensor Communication Unit Supports Multi-vendor Networks

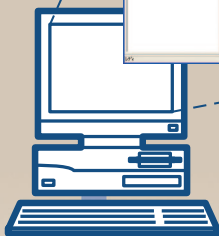
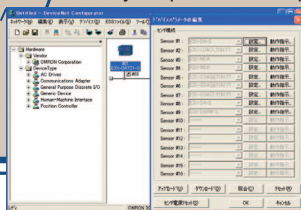
- ON/OFF signals and incident light levels can be sent to the host PLC without any need for programming (using the Remote I/O Communications Slave function).
- Threshold values and function settings can be read, written, or taught (using the Message Communications function).
- Device parameters prepared on a personal computer connected to the network can be downloaded in a batch operation (using the Configurator).



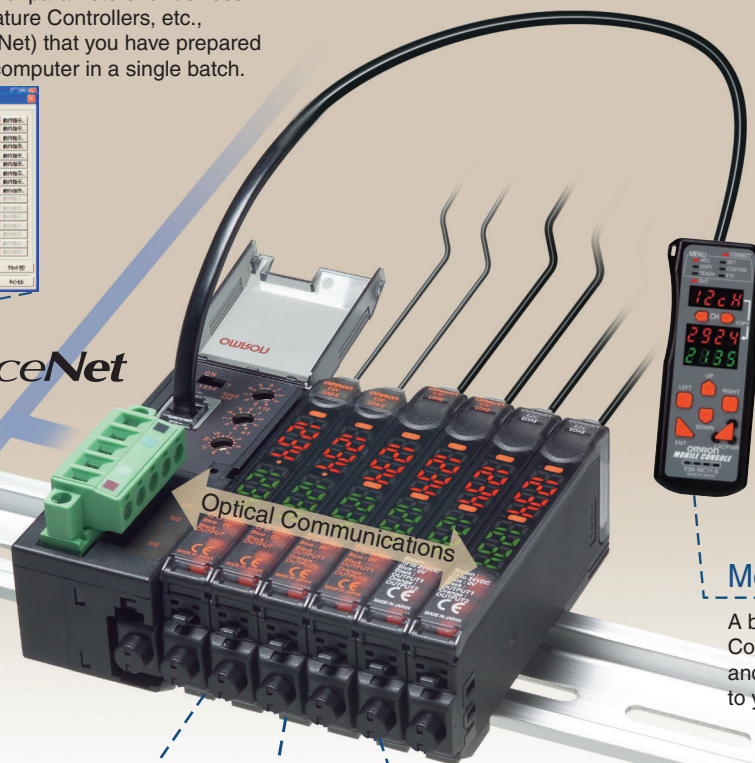
# A Network That Expands Your World

### Configurator

Download a group of parameters for devices (Sensors, Temperature Controllers, etc., supporting DeviceNet) that you have prepared on your personal computer in a single batch.



### DeviceNet



### Optical Communications

### Mobile Console

A built-in interface for a Mobile Console lets you bring setting and confirmation operations to your fingertips.

### PLC



### Monitor operating hours.

The operating hours for sensors can be stored in internal memory and used for planning maintenance and other applications.

### Supports a wide range of sensors.

The Unit supports a variety of digital sensors, including Fiber Sensors, Laser Sensors, and Proximity Sensors.

### Up to 16 channels can be connected.

## Ordering Information

### ■ Fiber Amplifier Sensor Communication Unit

Type	Model
Device Net	E3X-DRT21-S

### ■ Wire-reducing Connector

Type	Model
Cordless Slave Connector	E3X-CN02

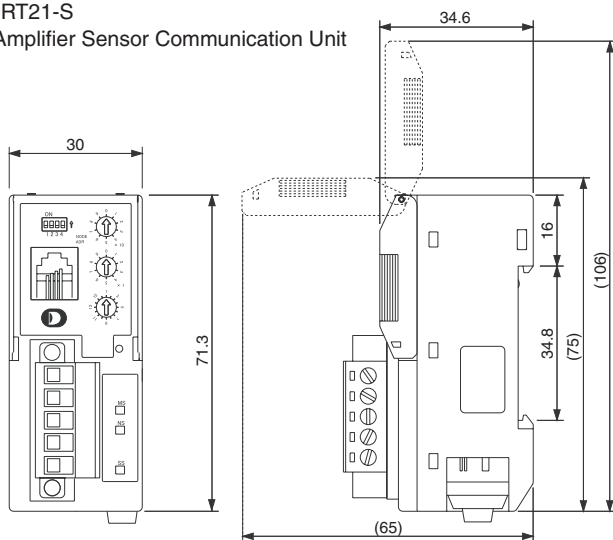
## Ratings and Specifications

Item	Description
Communications Method	DeviceNet communications
Communications functions	Remote I/O Communications Slave function
	Message Communications function
	Configurator
Mobile Console connection	E3X-MC11-S-V2 can be connected
Power supply	Supplied from the DeviceNet communications connector (power is also supplied to all connected Sensors through Wire-reducing Connectors)
Maximum connectable Sensors	13 or 16 (depending on the operation mode)
Connectable Sensors	E3X-DA-S Series or E3X-MDA Series Digital Fiber Sensor E3C-LDA Series Laser Photoelectric Sensor with Separate Digital Amplifier E2C-EDA High-resolution Digital Proximity Sensor with Separate Amplifier (use connector-type Amplifier Units and the E3X-CN02 Cordless Slave Connector)
Power supply voltage	11 to 25 VDC
Current consumption (See note.)	70 mA max.
Ambient operating temperature	-20 to 55°C
Ambient operating humidity	35% to 85% (with no condensation)
Storage temperature	-30 to 70°C
Dimensions (mm)	30 x 34.6 x 71.3 (WxHxD)
Weight (packed state)	Approx. 150 g

**Note:** This does not include the current supplied to the Sensor.

## Dimensions (mm)

E3X-DRT21-S  
Fiber Amplifier Sensor Communication Unit



This document provides information mainly for selecting suitable models. Please read the *Instruction Sheet* carefully for information that the user must understand and accept before purchase, including information on warranty, limitations of liability, and precautions.

**Note: Do not use this document to operate the Unit.**

### OMRON Corporation

Industrial Automation Company

Application Sensors Division  
Sensing Devices and Components Division H.Q.

Shiokoji Horikawa, Shimogyo-ku,  
Kyoto, 600-8530 Japan  
Tel: (81)75-344-7068/Fax: (81)75-344-7107

### Regional Headquarters

#### OMRON EUROPE B.V.

Sensor Business Unit,  
Carl-Benz-Str. 4, D-71154 Nufringen,  
Germany  
Tel: (49)7032-811-0/Fax: (49)7032-811-199

#### OMRON ELECTRONICS LLC

1 East Commerce Drive, Schaumburg,  
IL 60173 U.S.A.  
Tel: (1)847-843-7900/Fax: (1)847-843-8568

#### OMRON ASIA PACIFIC PTE. LTD.

83 Clemenceau Avenue,  
#11-01, UE Square,  
239920 Singapore  
Tel: (65)6835-3011/Fax: (65)6835-2711

#### OMRON CHINA CO., LTD. BEIJING OFFICE

Room 1028, Office Building,  
Beijing Capital Times Square,  
No. 88 West Chang'an Road,  
Beijing, 100031 China  
Tel: (86)10-8391-3005/Fax: (86)10-8391-3688

### Authorized Distributor:

Note: Specifications subject to change without notice.

Cat. No.E359-E1-01  
Printed in Japan  
0205-2M (0205) (B)