

Pressure Sensor

E8F2

Mini-Cube' Pressure Sensor with Easy-to-Read LED Display

- Both analog bar and digital pressure values are displayed
- Measurement pressure is equalized by the chattering prevention function, and an incorrect output is prevented.
- Easy operation by the automatic teaching function
- Compact style: 28 x 28 x 29 mm saves installation space





Ordering Information

Sensors

Pressure range		ON/OFF output	Linear output	Model	
				NPN output	PNP output
Positive pressure	0 to 100 kPa	Open collector (independent two outputs)	1 to 5 V	E8F2-A01C	E8F2-A01B
	0 to 1 MPa			E8F2-B10C	E8F2-B10B
Negative pressure	0 to -101 kPa			E8F2-AN0C	E8F2-AN0B

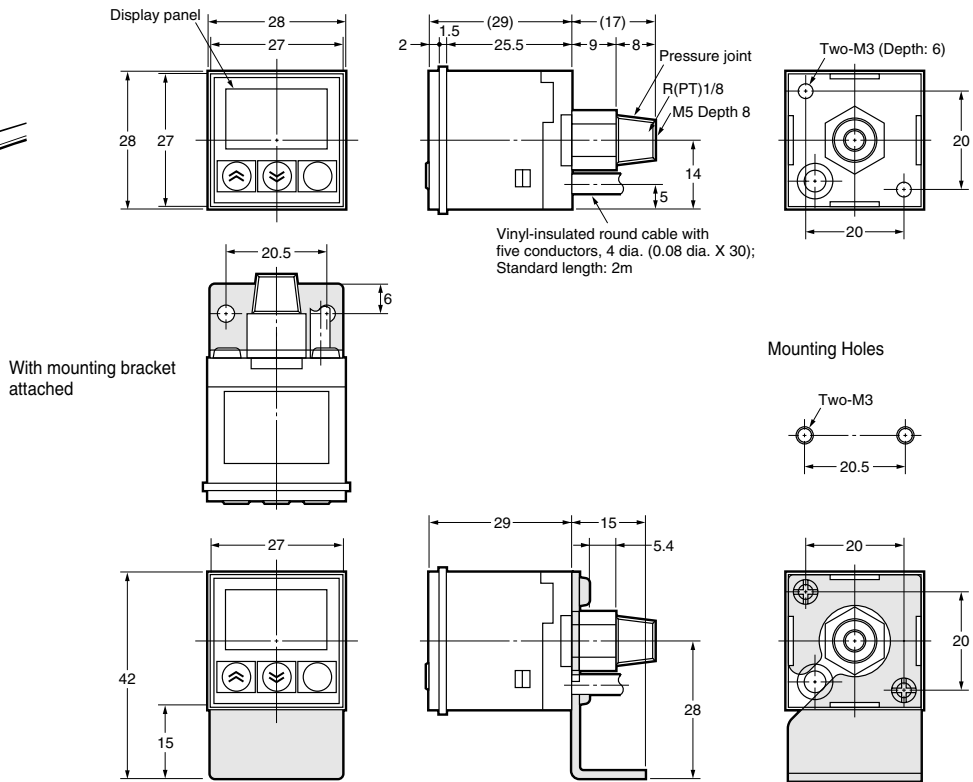
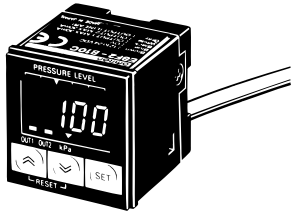
Accessories (Order Separately)

Shape	Name	Model	Remarks
	Mounting Brackets	E89-F3	Supplied with the product.
	Panel-mounting Bracket	E89-F4	---

Dimensions (Unit: mm)

Sensors

E8F2



ALL DIMENSIONS SHOWN ARE IN MILLIMETERS.
 To convert millimeters into inches, multiply by 0.03937. To convert grams into ounces, multiply by 0.03527.