

ACCURAX LINEAR DRIVES

New series with optimised efficiency



accurax

- » Flexible system solutions
- » High dynamic & precise positioning
- » Product customization

From components up to the system solution

The demands placed on modern, innovative production systems in terms of reliability, precision, speed and freedom from maintenance are constantly increasing. Omron offers linear motor solutions, from components to entire systems, from a single source. Over many years, sectors such as the semiconductor, photovoltaic, pharmaceutical and packaging industries have come to value Omron as an expert supplier and partner in this field. We are pleased to advise and support you with our experience and expertise, starting from the initial idea, through design to optimum integration in your machine and system concept.

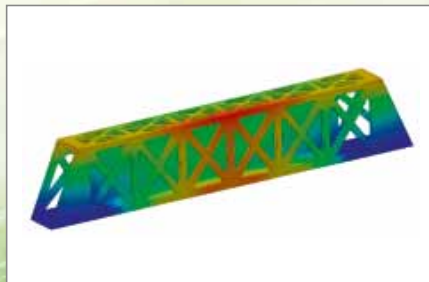
High-efficiency, iron-core linear motors and magnet tracks provide the solid basis for a wide range of over 100 standard linear motor axes. In addition to components and complete axes, Omron also offers a wide range of X/Y tables and gantry systems. The systems are adapted and optimized for the required application as necessary.

Omron's internal "Mechatronic" and "Application" competence teams work hand-in-hand to produce solutions in customization projects. The customer and his application are always the focus of our concerns and we work in dialogue with him to produce sustainable solutions that are perfectly tailored to his needs.

The global Omron Service & Support network is available to provide installation services, training and after-sales support.



Precision measurement with laser interferometer for quality assurance to create the data for stage mapping.



Modern development tools are available for analyses and simulations when developing and implementing projects.



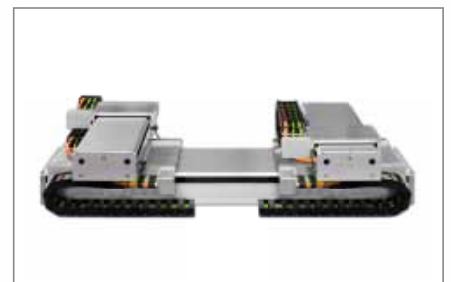
For customization applications, we are pleased to produce and implement solutions in accordance with your specifications.



Iron core linear motor components in laser processing for precise, uniform movement of the substrate and laser.



Iron core linear motor components in printed circuit board processing for high dynamic and precise positioning of tools and PCBs.



Modular 'double-head' system solutions based on standard axes for product handling in the packaging industry.

Linear motors & magnet tracks

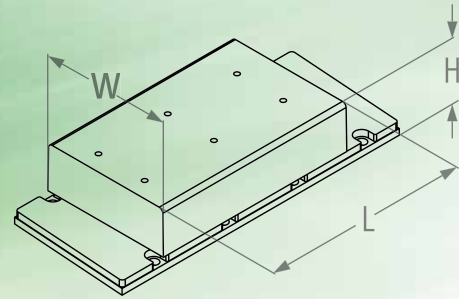


Iron-core linear motors

Product name	Motor length L [mm]	System width W [mm]	System height H [mm]	Peak force Fp [N]	Nominal force Fc [N]	Weight, primary part Mp [kg]	Weight, secondary part Ms [kg/m]	Voltage Ubus [Vac]
R88L-EC-FW-0303-...	79	56	37.1	120	48	0.47	2.1	230/400
R88L-EC-FW-0306-...	127			240	96	0.78		
R88L-EC-FW-0606-...	127	80	37.1	450	160	1.31	3.8	
R88L-EC-FW-0609-...	175			675	240	1.84		
R88L-EC-FW-0612-...	223			900	320	2.37		
R88L-EC-FW-1112-...	223	130	41.1	1800	608	4.45	10.5	
R88L-EC-FW-1115-...	271			2250	760	5.45		

Features and benefits:

- Compact, flat design
- Optimum ratio between force and volume
- Weight-optimized magnetic track
- Optional digital hall-sensor

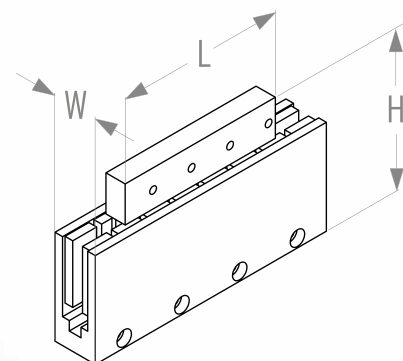


Ironless linear motors

Product name	Motor length L [mm]	System width W [mm]	System height H [mm]	Peak force Fp [N]	Nominal force Fc [N]	Weight, primary part Mp [kg]	Weight, secondary part Ms [kg/m]	Voltage Ubus [Vac]
R88L-EC-GW-0303-...	78	21	68	100	26.5	0.084	4.8	230
R88L-EC-GW-0306-...	138			200	53	0.162		
R88L-EC-GW-0309-...	198			300	80	0.24		
R88L-EC-GW-0503-...	106	28.4	105	240	58	0.25	11.2	
R88L-EC-GW-0506-...	190			480	117	0.47		
R88L-EC-GW-0509-...	274			720	175	0.69		
R88L-EC-GW-0703-...	134	48	124.8	700	117	0.55	24	
R88L-EC-GW-0706-...	248			1400	232	0.95		
R88L-EC-GW-0709-...	362			2100	348	1.35		

Features and benefits:

- Compact, efficient design
- Excellent force-to-weight ratio
- No latching force
- Optional digital hall-sensor



Linear motor axes

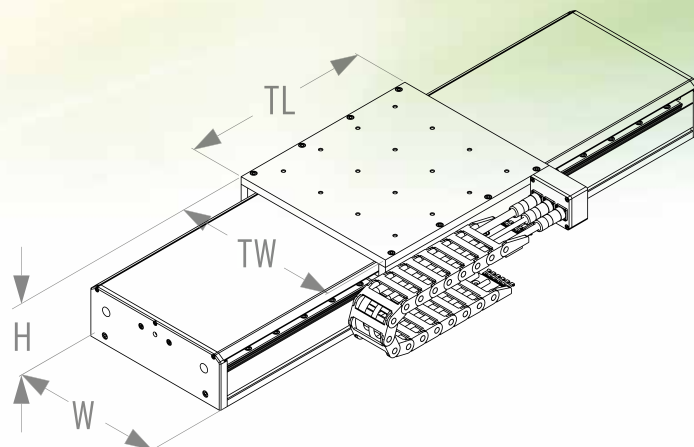


Iron-core linear motor axes

Product name	Nominal force Fc [N]	Peak force Fp [N]	Moving mass Mmov. [kg]	Table length TL [mm]	Table width TW [mm]	W [mm]	H [mm]	Load capacity [kg]
R88L-EA-AF-0303-...	48	120	3.1	160	191	168	95	5
22 variants, strokes from 110 to 2126 mm, grid 96 mm								
R88L-EA-AF-0306-...	96	240	3.9	208				
21 variants, strokes from 158 to 2078 mm, grid 96 mm					219	194	99	15
R88L-EA-AF-0606-...	160	450	5.4	208				
22 variants, strokes from 110 to 2126 mm, grid 96 mm								
R88L-EA-AF-0609-...	240	675	6.7	256				
21 variants, strokes from 158 to 2078 mm, grid 96 mm					310	280	118	35
R88L-EA-AF-0612-...	320	900	7.9	304				
21 variants, strokes from 158 to 2078 mm, grid 96 mm								
R88L-EA-AF-1112-...	608	1800	13.7	304	310	280	118	35
22 variants, strokes from 110 to 2126 mm, grid 96 mm								
R88L-EA-AF-1115-...	760	2250	15.9	352				
22 variants, strokes from 110 to 2126 mm, grid 96 mm								

Features and benefits:

- Low moving mass
- Optimized stroke/product length ratio
- Compact design
- 5 m/s maximum speed with 1 µm repeatability



The compact, flat design of the motor components is also to be found in the standard axes. The low moving masses ensure a high degree of dynamism, even with low advance forces. The advanced aluminium base profile sets new standards in precision and light-weight design. This means that the areas of application of the new

axis family are almost limitless. The axes can be supplied in lengths of up to 6 meters on request.

The compact nature of the system also ensures that it can be used in almost any application, from high-speed processing and test systems to measurement technology applications in the micrometre range.

Linear motor systems

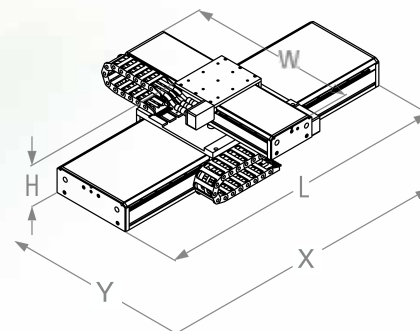


XY systems

Product name	Nominal force Fc [N] X/Y	Peak force Fp [N] X/Y	Operating range X/Y [mm]	Installation space L x W x H [mm]	Moving mass Mmov. [kg] X	Moving mass Mmov. [kg] Y	Max. load ML [kg]	Total volume [kg]
R88L-ES-XY-0205-000	96/48	240/120	254/206	504/408/186	16	3.1	2.5	24
			350/302	600/504/186	18			27
			542/494	792/696/186	22			32
R88L-ES-XY-0410-000	240/96	675/240	350/350	648/600/190	21	3.9	5	34
			446/446	744/696/190	23			37
			542/542	840/792/190	25			40
R88L-ES-XY-0710-000	760/160	2250/450	446/494	840/744/211	41	5.4	10	65
			638/686	1032/936/211	45			75

Features and benefits:

- Modular concept
- Reduces construction time
- Easy machine integration
- Low installation height

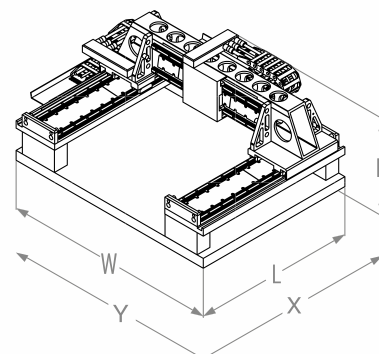


Gantry systems

Product name	Nominal force Fc [N] X/Y	Peak force Fp [N] X/Y	Operating range X/Y/Z [mm]	Installation space L x W x H [mm]	Moving mass Mmov. [kg] X	Moving mass Mmov. [kg] Y	Max. load ML [kg]	Total volume [kg]
R88L-ES-GT-0305-000	320/48	900/120	366/350/163	662/964/395	24	3.4	2.5	118
			558/542/163	854/1156/395	27			163
			750/734/163	1046/1348/395	29			214
R88L-ES-GT-0405-000	480/160	1350/450	518/590/165	854/1252/417	36	5.2	5	180
			806/782/165	1142/1444/417	40			254
R88L-ES-GT-0505-000	640/240	1800/675	662/638/165	1046/1348/417	41	6.2	10	227
			854/830/165	1238/1540/417	44			288

Features and benefits:

- High rigidity for high dynamic
- Scalable systems
- Can be adapted to customer requirements
- Easy to maintain



Austria

Tel: +43 (0) 2236 377 800
www.industrial.omron.at

Belgium

Tel: +32 (0) 2 466 24 80
www.industrial.omron.be

Czech Republic

Tel: +420 234 602 602
www.industrial.omron.cz

Denmark

Tel: +45 43 44 00 11
www.industrial.omron.dk

Finland

Tel: +358 (0) 207 464 200
www.industrial.omron.fi

France

Tel: +33 (0) 1 56 63 70 00
www.industrial.omron.fr

Germany

Tel: +49 (0) 2173 680 00
www.industrial.omron.de

Hungary

Tel: +36 1 399 30 50
www.industrial.omron.hu

Italy

Tel: +39 02 326 81
www.industrial.omron.it

Netherlands

Tel: +31 (0) 23 568 11 00
www.industrial.omron.nl

Norway

Tel: +47 (0) 22 65 75 00
www.industrial.omron.no

Poland

Tel: +48 (0) 22 645 78 60
www.industrial.omron.pl

Portugal

Tel: +351 21 942 94 00
www.industrial.omron.pt

Russia

Tel: +7 495 648 94 50
www.industrial.omron.ru

South Africa

Tel: +27 (0)11 608 3041
www.industrial.omron.co.za

Spain

Tel: +34 913 777 900
www.industrial.omron.es

Sweden

Tel: +46 (0) 8 632 35 00
www.industrial.omron.se

Switzerland

Tel: +41 (0) 41 748 13 13
www.industrial.omron.ch

Turkey

Tel: +90 216 474 00 40
www.industrial.omron.com.tr

United Kingdom

Tel: +44 (0) 870 752 08 61
www.industrial.omron.co.uk

More Omron representatives
www.industrial.omron.eu

Automation Systems

- Programmable logic controllers (PLC) • Human machine interfaces (HMI) • Remote I/O
- Industrial PC's • Software

Motion & Drives

- Motion controllers • Servo systems • Inverters

Control Components

- Temperature controllers • Power supplies • Timers • Counters • Programmable relays
- Digital panel indicators • Electromechanical relays • Monitoring products • Solid-state relays
- Limit switches • Pushbutton switches • Low voltage switch gear

Sensing & Safety

- Photoelectric sensors • Inductive sensors • Capacitive & pressure sensors
- Cable connectors • Displacement & width-measuring sensors • Vision systems
- Safety networks • Safety sensors • Safety units/relay units • Safety door/guard lock switches