



# VARISPEED F7

The Industrial Workhorse

Model: CIMR-F7Z

200V Class 3-phase 0.4 to 110 kW

400V Class 3-phase 0.4 to 300 kW

## QUICK START GUIDE



# F7Z Quick Start Guide

## Table of Contents

<b>Warnings .....</b>	<b>EN-2</b>
◆ Safety Precautions and Instructions .....	EN-3
◆ EMC Compatibility .....	EN-4
<b>Installation .....</b>	<b>EN-6</b>
◆ Mechanical Installation .....	EN-6
◆ Electrical Connection .....	EN-8
◆ Wiring Main Circuit Inputs .....	EN-12
<b>Keypad Operation .....</b>	<b>EN-14</b>
◆ Digital Operator Display (optional) .....	EN-14
<b>Power Up and Basic Parameter Setup .....</b>	<b>EN-15</b>
◆ Start Up Procedure .....	EN-15
◆ Before Power Up .....	EN-16
◆ Display after Power Up .....	EN-16
◆ Autotuning .....	EN-16
<b>User Parameter .....</b>	<b>EN-18</b>
<b>Troubleshooting .....</b>	<b>EN-21</b>
◆ General Faults and Alarms .....	EN-21
◆ Operator Programming Errors .....	EN-23
◆ Autotuning Faults .....	EN-24

# Warnings

## CAUTION

**Cables must not be connected or disconnected, nor signal tests carried out, while the power is switched on.**

The Varispeed F7 DC bus capacitor remains charged even after the power has been switched off. To avoid an electric shock hazard, disconnect the frequency inverter from the mains before carrying out maintenance. Then wait for at least 5 minutes after all LEDs have gone out.

Do not perform a withstand voltage test on any part of the Varispeed. The frequency inverter contains semiconductors, which are not designed for such high voltages.

Do not remove the digital operator while the mains supply is switched on. The printed circuit board must also not be touched while the inverter is connected to the power.

Never connect general LC/RC interference suppression filters, capacitors or overvoltage protection devices to the inverter input or output.

To avoid unnecessary overcurrent faults, etc. being displayed, the signaling contacts of any contactor or switch fitted between inverter and motor must be integrated into the inverter control logic (e.g. baseblock).

This is absolutely imperative!

This manual must be read thoroughly before connecting and operating the inverter. All safety precautions and instructions for use must be followed.

The inverter may must be operated with the appropriate line filters, following the installation instructions in this manual and with all covers closed and terminals covered.

Only then will adequate protection be provided. Please do not connect or operate any equipment with visible damage or missing parts. The operating company is responsible for any injuries or equipment damage resulting from failure to heed the warnings in this manual.

---

## ◆ Safety Precautions and Instructions

### ■ General

Please read these safety precautions and instructions for use thoroughly before installing and operating this inverter. Also read all of the warning signs on the inverter and ensure they are never damaged or removed.

Live and hot inverter components may be accessible during operation. Removal of housing components, the digital operator or terminal covers runs the risk of serious injuries or damage in the event of incorrect installation or operation. The fact that frequency inverters control rotating mechanical machine components can give rise to other dangers.

The instructions in this manual must be followed. Installation, operation and maintenance may only be carried out by qualified personnel. For the purposes of the safety precautions, qualified personnel are defined as individuals who are familiar with the installation, starting, operation and maintenance of frequency inverters and have the proper qualifications for this work. Safe operation of these units is only possible if they are used properly for their intended purpose.

The DC bus capacitors can remain live for about 5 minutes after the inverter is disconnected from the power. It is therefore necessary to wait for this time before opening its covers. All of the main circuit terminals may still carry dangerous voltages.

Children and other unauthorized persons must not be allowed access to these inverters.

Keep these Safety Precautions and Instructions for Use readily accessible and supply them to all persons with any form of access to the inverters.

### ■ Intended Use

Frequency inverters are intended for installation in electrical systems or machinery.

Their installation in machinery and systems must conform to the following product standards of the Low Voltage Directive:

EN 50178, 1997-10,    Equipping of Power Systems with Electronic Devices

EN 60204-1, 1997-12    Machine Safety and Equipping with Electrical Devices

Part 1: General Requirements (IEC 60204-1:1997)/

Please note: Includes Corrigendum of September 1998

EN 61010-1, A2, 1995    Safety Requirements for Information Technology Equipment

(IEC 950, 1991 + A1, 1992 + A2, 1993 + A3, 1995 + A4, 1996, modified)

CE marking is carried out to EN 50178, using the line filters specified in this manual and following the appropriate installation instructions.

### ■ Transportation and storage

The instructions for transportation, storage and proper handling must be followed in accordance with the technical data.

### ■ Installation

Install and cool the inverters as specified in the documentation. The cooling air must flow in the specified direction. The inverter may therefore only be operated in the specified position (e.g. upright). Maintain the specified clearances. Protect the inverters against impermissible loads. Components must not be bent nor insulation clearances changed. To avoid damage being caused by static electricity, do not touch any electronic components or contacts.

## ■ Electrical Connection

Carry out any work on live equipment in compliance with the national safety and accident prevention regulations. Carry out electrical installation in compliance with the relevant regulations. In particular, follow the installation instructions ensuring electromagnetic compatibility (EMC), e.g. shielding, grounding, filter arrangement and laying of cables. This also applies to equipment with the CE mark. It is the responsibility of the manufacturer of the system or machine to ensure conformity with EMC limits.

Your supplier or Omron Yaskawa Motion Control representative must be contacted when using leakage current circuit breaker in conjunction with frequency inverters.

In certain systems it may be necessary to use additional monitoring and safety devices in compliance with the relevant safety and accident prevention regulations. The frequency inverter hardware must not be modified.

## ■ Notes

The Varispeed F7 frequency inverters are certified to CE, UL, and cUL

---

## ◆ EMC Compatibility

### ■ Introduction

This manual was compiled to help system manufacturers using OMRON YASKAWA Motion Control (OYMC) frequency inverters design and install electrical switch gear. It also describes the measures necessary to comply with the EMC Directive. The manual's installation and wiring instructions must therefore be followed.

Our products are tested by authorized bodies using the standards listed below.

Product standard: EN 61800-3:1996  
EN 61800-3; A11:2000

### ■ Measures to Ensure Conformity of OYMC Frequency inverters to the EMC Directive

OYMC frequency inverters do not necessarily have to be installed in a switch cabinet.

It is not possible to give detailed instructions for all of the possible types of installation. This manual therefore has to be limited to general guidelines.

All electrical equipment produces radio and line-borne interference at various frequencies. The cables pass this on to the environment like an aerial.

Connecting an item of electrical equipment (e.g. drive) to a supply without a line filter can therefore allow HF or LF interference to get into the mains.

The basic countermeasures are isolation of the wiring of control and power components, proper grounding and shielding of cables.

A large contact area is necessary for low-impedance grounding of HF interference. The use of grounding straps instead of cables is therefore definitely advisable.

Moreover, cable shields must be connected with purpose-made ground clips.

## ■ Laying Cables

Measures Against Line-Borne Interference:

Line filter and frequency inverter must be mounted on the same metal plate. Mount the two components as close to each other as possible, with cables kept as short as possible.

Use a power cable with well-grounded shield. For motor cables up to 50 meters in length use shielded cables. Arrange all grounds so as to maximize the area of the end of the lead in contact with the ground terminal (e.g. metal plate).

Shielded Cable:

- Use a cable with braided shield.
- Ground the maximum possible area of the shield. It is advisable to ground the shield by connecting the cable to the ground plate with metal clips (see following figure).

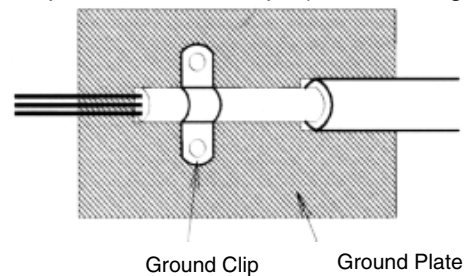


Fig 1 Earthing the cable shield with metal clips

The grounding surfaces must be highly conductive bare metal. Remove any coats of varnish and paint.

- Ground the cable shields at both ends.
- Ground the motor of the machine.

# Installation

## ◆ Mechanical Installation

### ■ Unpacking the Inverter

Check the following items after unpacking the inverter.

Item	Method
Has the correct Inverter model been delivered?	Check the model number on the nameplate on the side of the Inverter.
Is the Inverter damaged in any way?	Inspect the entire exterior of the Inverter to see if there are any scratches or other damage resulting from shipping.
Are any screws or other components loose?	Use a screwdriver or other tools to check for tightness.

If any irregularities in the above items are found, contact the agency from which the Inverter was purchased or your Omron Yaskawa Motion Control representative immediately.

### ■ Checking the Installation Site

Protection covers are attached to the top and bottom of the NEMA 1 / IP20 Inverters. Be sure to remove the top cover before operating a 200 or 400 V Class Inverter with a capacity of 18.5 kW or less inside a panel.

Observe the following precautions when mounting the Inverter:

- Install the Inverter in a clean location which is free from oil mist and dust. It can be installed in a totally enclosed panel that is completely shielded from floating dust.
- When installing or operating the Inverter, always take special care so that metal powder, oil, water, or other foreign matter does enter the Inverter.
- Do not install the Inverter on combustible material, such as wood.
- Install the Inverter in a location free from radioactive materials and combustible materials.
- Install the Inverter in a location free from harmful gasses and liquids.
- Install the Inverter in a location without excessive oscillation.
- Install the Inverter in a location free from chlorides.
- Install the Inverter in a location without direct sunlight.

## ■ Installation Orientation

Install the Inverter vertically so as not to reduce the cooling effect. When installing the Inverter, always provide the following installation space to allow normal heat dissipation.

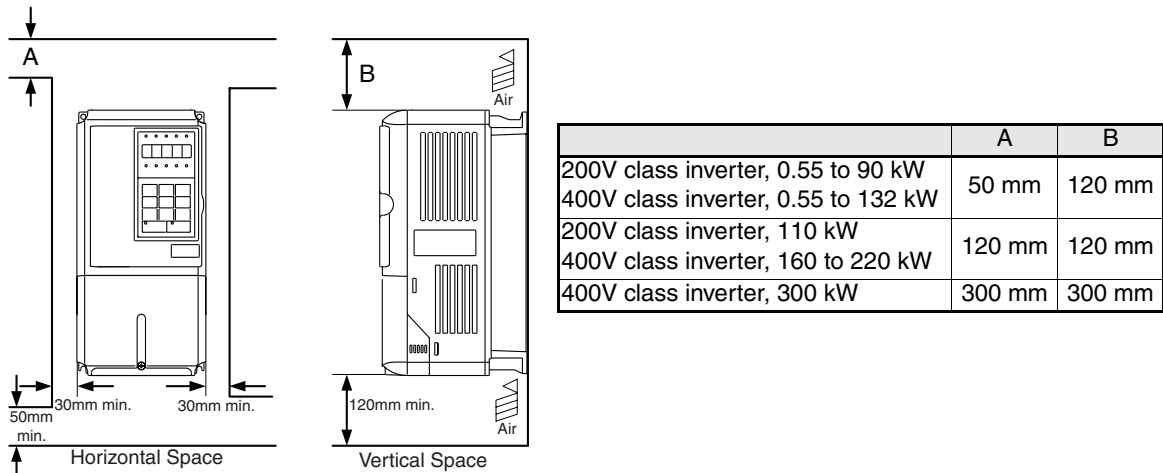


Fig 2 Installation space



1. The same space is required horizontally and vertically for IP00, IP20 and NEMA 1 Inverters.
2. Always remove the top protection cover after installing an Inverter with an output of 18.5 kW or less in a panel.  
Always provide enough space for suspension eye bolts and the main circuit lines when installing an Inverter with an output of 22 kW or more in a panel.

## ■ Installation of Inverters and EMC filters

For an EMC rules compliant installation consider the following points:

- Use a line filter.
- Use shielded motor cables.
- Mount the inverter and filter on a grounded conductive plate.
- Remove any paint or dirt before mounting the parts in order to reach the lowest possible grounding impedance.

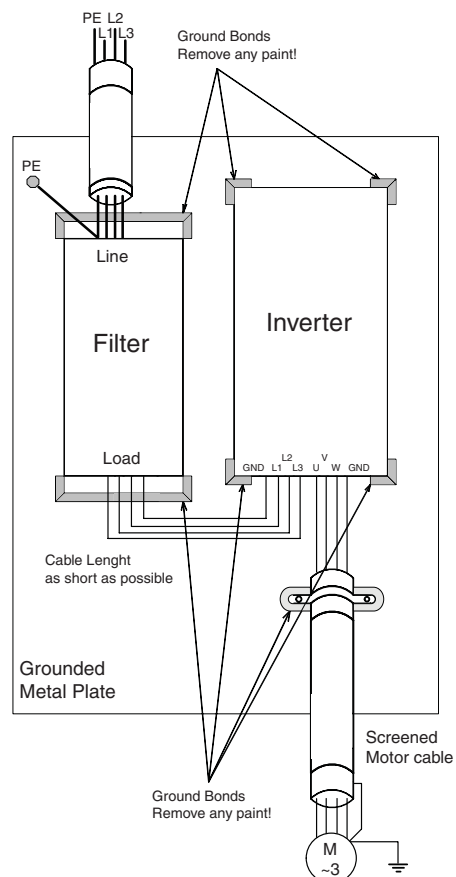


Fig 3 EMC filter installation



# ◆ Electrical Connection

## ■ Wiring the Inverter

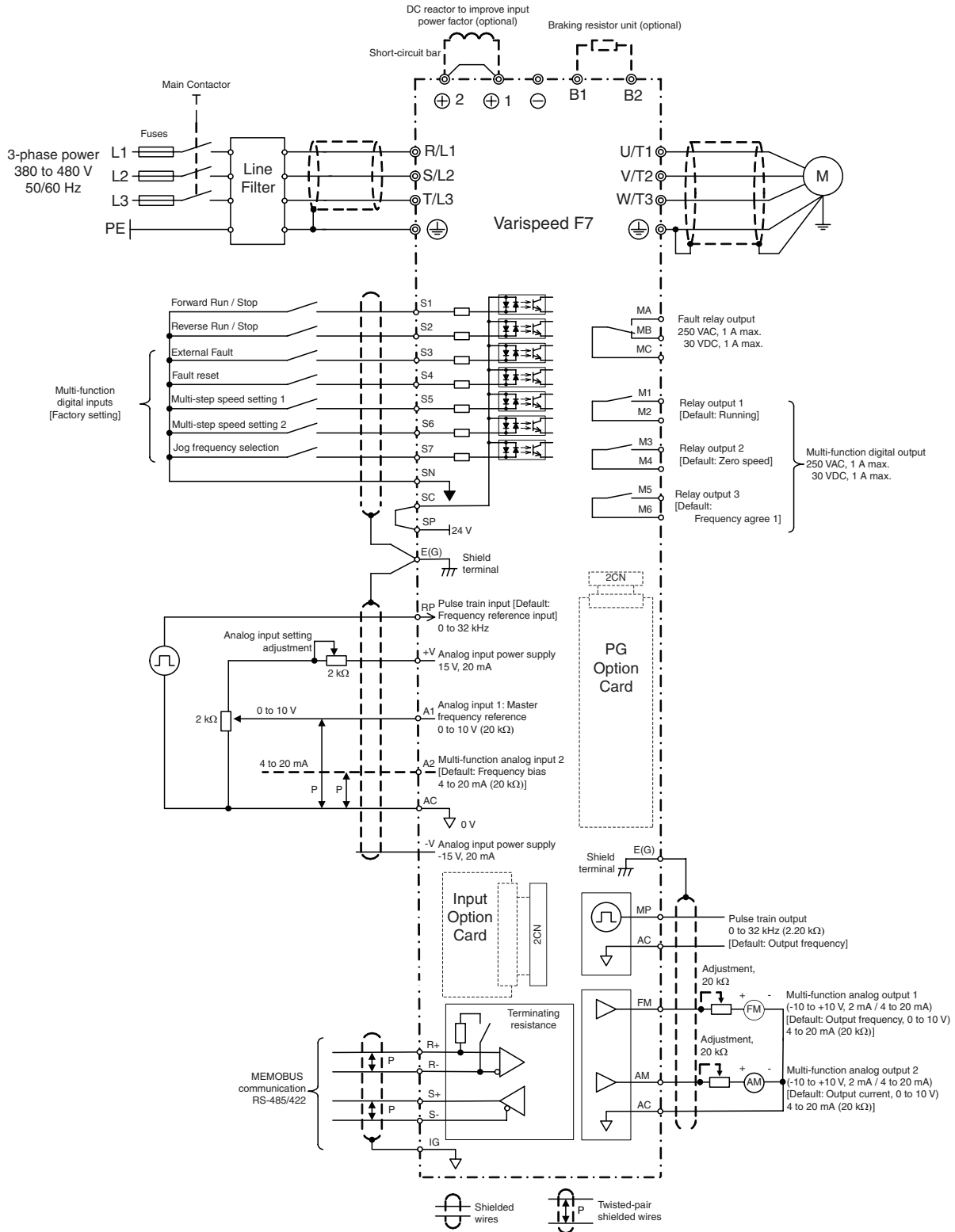


Fig 4 Wiring Diagram

## ■ Main Circuit Terminals

Main circuit terminal functions are summarized according to terminal symbols in [Table 1](#). Wire the terminals correctly for the desired purposes.

Table 1 Main Circuit Terminal Functions (200 V Class and 400 V Class)

Purpose	Terminal Symbol	Model: CIMR-F7Z□□□□	
		200 V Class	400 V Class
Main circuit power input	R/L1, S/L2, T/L3	20P4 to 2110	40P4 to 4300
	R1/L11, S1/L21, T1/L31	2022 to 2110	4022 to 4300
Inverter outputs	U/T1, V/T2, W/T3	20P4 to 2110	40P4 to 4300
DC bus terminals	⊕1, ⊖	20P4 to 2110	40P4 to 4300
Braking Resistor Unit Connection	B1, B2	20P4 to 2018	40P4 to 4018
DC reactor connection	⊕1, ⊕2	20P4 to 2018	40P4 to 4018
Braking Unit connection	⊕3, ⊖	2022 to 2110	4022 to 4300
Ground	⊕	20P4 to 2110	40P4 to 4300

## ■ Control Circuit Terminals

[Fig 5](#) shows the control terminal arrangement. The functions of the control circuit terminals are shown in [Table 2](#). Use the appropriate terminals for the correct purposes.

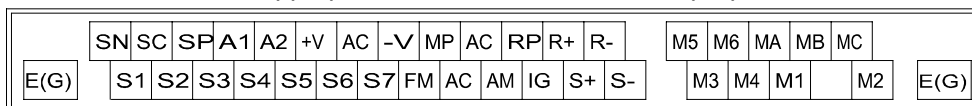


Fig 5 Control terminal arrangement

Table 2 Control Circuit Terminals with default settings

Type	No.	Signal Name	Function	Signal Level	
Digital input signals	S1	Forward run/stop command	Forward run when ON; stopped when OFF.	24 VDC, 8 mA Photocoupler isolation	
	S2	Reverse run/stop command	Reverse run when ON; stopped when OFF.		
	S3	External fault input <sup>*1</sup>	Fault when ON.		Functions are selected by setting H1-01 to H1-05.
	S4	Fault reset <sup>*1</sup>	Reset when ON		
	S5	Multi-step speed reference 1 <sup>*1</sup> (Master/auxiliary switch)	Auxiliary frequency reference when ON.		
	S6	Multi-step speed reference 2 <sup>*1</sup>	Multi-step speed 2 when ON.		
	S7	Jog frequency reference <sup>*1</sup>	Jog frequency when ON.		
	SC	Digital input common	–		–
	SN	Digital Input Neutral	–		–
SP	Digital Input Power Supply	+24VDC power supply for digital inputs	24 VDC, 250 mA max. <sup>*2</sup>		
Analog input signals	+V	15 V power output	15 V power supply for analog references	15 V (Max. curr.: 20mA)	
	A1	Frequency reference	0 to +10 V/100%	–10 to +10 V (20 kΩ) 0 to +10 V (20 kΩ)	
	A2	Auxiliary Frequency Reference	Auxiliary analog frequency reference; 4 to 20 mA (250Ω)	Function is selected by setting H3-09.	4 to 20 mA (250 Ω) 0 V to +10 V (20 kΩ) 0 to 20 mA (250 Ω)
	-V	–15 V power output	–15 V power supply for analog references		
	AC	Analog reference common	–	–	
	E(G)	Shield wire, optional ground line connection point	–	–	

Type	No.	Signal Name	Function	Signal Level	
Digital output signals	M1	During run (NO)	Closed during Run	Relay contacts Contact capacity: 1 A max. at 250 VAC 1 A max. at 30 VDC* <sup>3</sup>	
	M2				
	M3	Zero speed (NO)	Closed when output frequency at zero level (b2-01) or below		
	M4				
	M5	Speed agreement detection (NO)	Within $\pm 2$ Hz of set frequency when ON		
	M6				
	MA	Fault output signal	Closed across MA and MC during faults Open across MB and MC during faults		
	MB				
	MC				
Analog output signals	FM	Output frequency	Analog output frequency signal; 0 to 10 V; 10V=FMAX	Function selected by H4-01	0 to +10 V max. $\pm 5\%$ 2 mA max.
	AC	Analog common	-		-10 to +10 V max. $\pm 5\%$ 2 mA max
	AM	Inverter output power	Analog output power signal; 0 to 10V; 10V=max. appl. motor capacity	Function selected by H4-04	4 to 20 mA
Pulse I/O	RP	Pulse Input	H6-01 (Frequency reference input) * <sup>4</sup>		0 to 32 kHz (3k $\Omega$ ) High level voltage 3.5 to 13.2 V
	MP	Pulse Output	H6-06 (Output frequency)		0 to 32 kHz +15 V output (2.2k $\Omega$ )
RS-485/422	R+	MEMOBUS communications input	For 2-wire RS-485, short R+ and S+ as well as R- and S-.		Differential input, PHC isolation
	R-				
	S+	MEMOBUS communications output			Differential input, PHC isolation
	S-				
	IG	Signal common			-

\*1. The default settings are given for terminals S3 to S7. For a 3-wire sequence, the default settings are a 3-wire sequence for S5, multi-step speed setting 1 for S6 and multi-step speed setting 2 for S7.

\*2. Do not use this power supply for supplying any external equipment.

\*3. When driving a reactive load, such as a relay coil with DC power supply, always insert a flywheel diode as shown in Fig 6

\*4. Pulse input specifications are given in the following table:

Low level voltage	0.0 to 0.8 V
High level voltage	3.5 to 13.2 V
H duty	30% to 70%
Pulse frequency	0 to 32 kHz

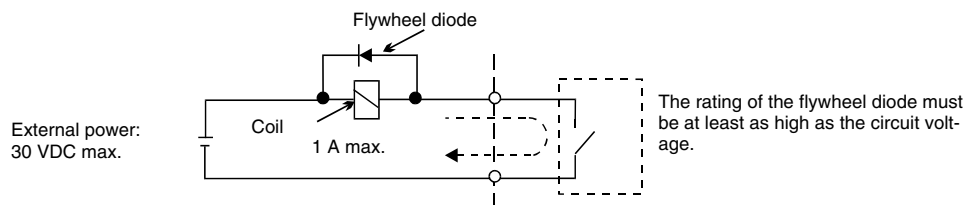


Fig 6 Flywheel Diode Connection



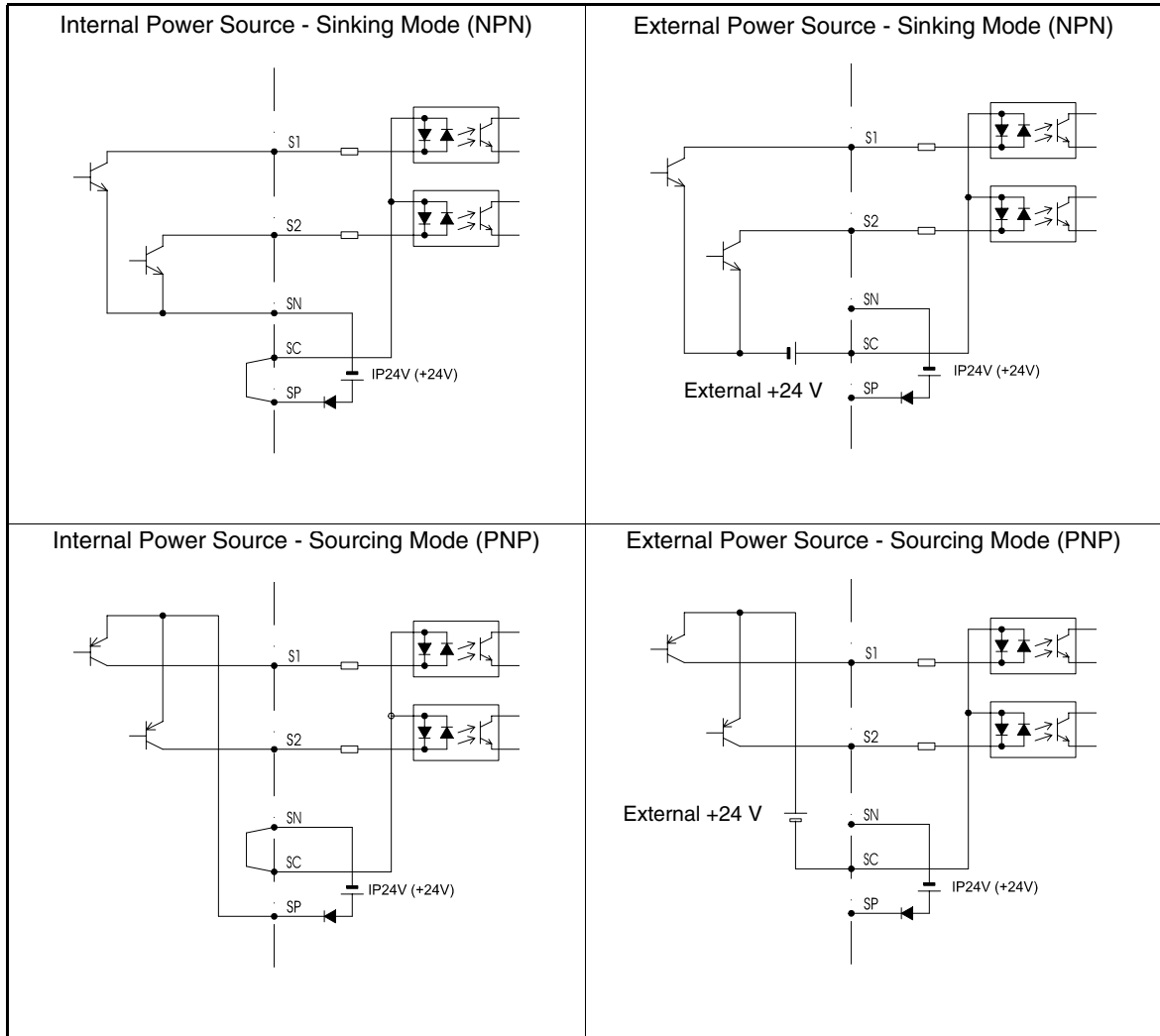
IMPORTANT

- In Fig 4 the wiring of the digital inputs S1 to S7 is shown for the connection of contacts or NPN transistors (0V common and sinking mode). This is the default setting. For the connection of PNP transistors or for using a 24V external power supply, refer to Table 3.
- A DC reactor is an option only for Inverters of 18.5 kW or less. Remove the short circuit bar when connecting a DC reactor.

## ■ Sinking/Sourcing Mode (NPN/PNP Selection)

The input terminal logic can be switched over between sinking mode (0-V common, NPN) and sourcing mode (+24V common, PNP) by using the jumper CN5. An external power supply is also supported, providing more freedom in signal input methods.

Table 3 Sinking / Sourcing Mode and Input Signals



## ◆ Wiring Main Circuit Inputs

### Installing Fuses

To protect the inverter, it is recommended to use semiconductor fuses like they are shown in the table below.

Table 4 Input Fuse Selection

Inverter Type	Rated Inverter Output Current (A)	Fuse Selection			Selection Example (Ferraz)		
		Voltage (V)	Current (A)	$I^2t$ (A <sup>2</sup> s)	Model	Rating	$I^2t$ (A <sup>2</sup> s)
20P4	3.2	240	10	12~25	A60Q12-2	600V / 12A	17
20P7	4.1	240	10	12~25	A60Q12-2	600V / 12A	17
21P5	7.0	240	15	23~55	A60Q15-2	600V / 15A	26
22P2	9.6	240	20	34~98	A60Q20-2	600V / 20A	41
23P7	15	240	30	82~220	A60Q30-2	600V / 30A	132
25P5	23	240	40	220~610	A50P50-4	500V / 50A	250
27P5	31	240	60	290~1300	A50P80-4	500V / 80A	640
2011	45	240	80	450~5000	A50P80-4	500V / 80A	640
2015	58	240	100	1200~7200	A50P125-4	500V / 125A	1600
2018	71	240	130	1800~7200	A50P150-4	500V / 150A	2200
2022	85	240	150	870~16200	A50P150-4	500V / 150A	2200
2030	115	240	180	1500~23000	A50P200-4	500V / 200A	4000
2037	145	240	240	2100~19000	A50P250-4	500V / 250A	6200
2045	180	240	300	2700~55000	A50P300-4	500V / 300A	9000
2055	215	240	350	4000~55000	A50P350-4	500V / 350A	12000
2075	283	240	450	7100~64000	A50P450-4	500V / 450A	20000
2090	346	240	550	11000~64000	A50P600-4	500V / 600A	36000
2110	415	240	600	13000~83000	A50P600-4	500V / 600A	36000
40P4	1.8	480	5	6~55	A60Q10-2	600V / 10A	10
40P7	2.1	480	5	6~55	A60Q10-2	600V / 10A	10
41P5	3.7	480	10	10~55	A60Q12-2	600V / 12A	17
42P2	5.3	480	10	18~55	A60Q15-2	600V / 15A	26
43P7	7.6	480	15	34~72	A60Q20-2	600V / 20A	41
44P0	8.7	480	20	50~570	A60Q30-2	600V / 30A	132
45P5	12.5	480	25	100~570	A60Q30-2	600V / 30A	132
47P5	17	480	30	100~640	A60Q30-2	600V / 30A	132
4011	24	480	50	150~1300	A70P50-4	700V / 50A	300
4015	31	480	60	400~1800	A70P70-4	700V / 70A	590
4018	39	480	70	700~4100	A70P80-4	700V / 80A	770
4022	45	480	80	240~5800	A70P80-4	700V / 80A	770
4030	60	480	100	500~5800	A70P100-4	700V / 100A	1200
4037	75	480	125	750~5800	A70P125-4	700V / 125A	1900
4045	91	480	150	920~13000	A70P150-4	700V / 150A	2700
4055	112	480	150	1500~13000	A70P200-4	700V / 200A	4800
4075	150	480	250	3000~55000	A70P250-4	700V / 250A	7500
4090	180	480	300	3800~55000	A70P300-4	700V / 300A	11000
4110	216	480	350	5400~23000	A70P350-4	700V / 350A	15000
4132	260	480	400	7900~64000	A70P400-4	700V / 400A	19000
4160	304	480	450	14000~250000	A70P450-4	700V / 450A	24000
4185	370	480	600	20000~250000	A70P600-4	700V / 600A	43000
4220	506	480	700	34000~400000	A70P700-4	700V / 700A	59000
4300	675	480	900	52000~920000	A70P900-4	700V / 900A	97000

Consider the following precautions for the main circuit power supply input.

- If a moulded case circuit breaker is used for the power supply connection (R/L1, S/L2, and T/L3), ensure that the circuit breaker is suitable for the Inverter.
- If an earth leakage breaker is used, it should be able to detect all kinds of current in order to ensure a safe earth leakage current detection

- A magnetic contactor or other switching device can be used at the inverter input. The inverter should not be powered up more than once per hour.
- The input phases (R/S/T) can be connected in any sequence.
- If the Inverter is connected to a large-capacity power transformer (600 kW or more) or a phase advancing capacitor is switched nearby, an excessive peak current could flow through the input power circuit, causing an inverter damage. As a countermeasure install an optional AC Reactor at the inverter input or a DC reactor at the DC reactor connection terminals.
- Use a surge absorber or diode for inductive loads near the Inverter. Inductive loads include magnetic contactors, electromagnetic relays, solenoid valves, solenoids, and magnetic brakes.

### ■Wiring the Output Side of the Main Circuit

The following precautions should be considered for the output circuit wiring.

- Never connect any power source to the inverter output terminals. Otherwise the inverter can be damaged.
- Never short or ground the output terminals. Otherwise the inverter can be damaged.
- Do not use phase correction capacitors. Otherwise the inverter and capacitors can be damaged.
- Check the control sequence to make sure, that the magnetic contactor (MC) between the Inverter and motor is not turned ON or OFF during inverter operation. If the MC is turned ON during the Inverter is operation, a large inrush current will be created and the inverter's overcurrent protection may operate.

### ■Ground Connection

The following precautions should be considered for the ground connection.

- Do not share the ground wire with other devices, such as welding machines or power tools.
- Always use a ground wire, that complies with technical standards on electrical equipment and minimize the length of the ground wire.

Leakage current is caused by the Inverter. Therefore, if the distance between the ground electrode and the ground terminal is too long, potential on the ground terminal of the Inverter will become unstable.

- When more than one Inverter is used, do not to loop the ground wire.

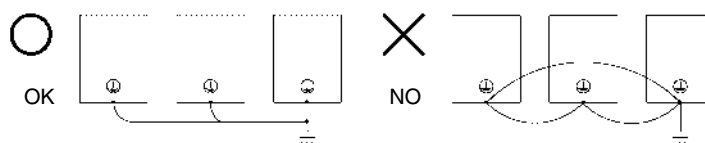


Fig 7 Ground Wiring

### ■Control Circuit Wiring Precautions

Consider the following precautions for wiring the control circuits.

- Separate control circuit wiring from main circuit wiring (terminals R/L1, S/L2, T/L3, B1, B2, U/T1, V/T2, W/T3, B1, B2, ⊖, ⊕1, ⊕2, and ⊕3, PO, NO) and other high-power lines.
- Separate wiring for control circuit terminals MA, MB, MC, M1 to M6 (relay outputs) from wiring to other control circuit terminals.
- If an optional external power supply is used, it should be a UL Listed Class 2 power supply.
- Use twisted-pair or shielded twisted-pair cables for control circuits to prevent operating faults.
- Ground the cable shields with the maximum contact area of the shield and ground.
- Cable shields have to be grounded on both cable ends.

# Keypad Operation

## ◆ Digital Operator Display (optional)

The key names and functions of the Digital Operator are described below



### Drive Mode Indicators

- FWD: Lights up when a forward run command is input.
- REV: Lights up when a reverse run command is input.
- SEQ: Lights up when any other run command source than the Digital Operator is selected.
- REF: Lights up when any other frequency reference source than the Digital Operator is selected.
- ALARM: Lights up when an error or alarm has occurred.

### Data Display

Displays monitor data, parameter numbers, and settings.

### Mode Display (displayed at the upper left of the data display)

- DRIVE: Lights up in Drive Mode.
- QUICK: Lights up in Quick Programming Mode.
- ADV: Lights up in Advanced Programming Mode.
- VERIFY: Lights up in Verify Mode.
- A. TUNE: Lights up in Autotuning Mode.

### Keys

Execute operations such as setting user parameters, monitoring, jogging, and autotuning.

## ■ Digital Operator Keys

Key	Name	Function
	LOCAL/REMOTE Key	Switches between operation via the Digital Operator (LOCAL) and the settings in b1-01 and b1-02 (REMOTE). This key can be enabled or disabled by setting parameter o2-01.
	MENU Key	Selects the modes.
	ESC Key	Returns to the status before the DATA/ENTER Key was pressed.
	JOG Key	Enables jog operation when the Inverter is being operated from the Digital Operator.
	FWD/REV Key	Selects the rotation direction of the motor when the Inverter is being operated from the Digital Operator.
	Shift/RESET Key	Sets the active digit when programming user parameters. Also acts as the Reset key when a fault has occurred.
	Increment Key	Selects user parameter numbers and increments parameter settings. Used to move to the next item or data.
	Decrement Key	Selects user parameter numbers and decrements parameter settings. Used to move to the previous item or data.
	DATA/ENTER Key	Enters menus and parameters and validates parameter settings.
	RUN Key	Starts operation when the Inverter is being controlled by the Digital Operator (LOCAL Mode).
	STOP Key	Stops Inverter operation (LOCAL and REMOTE Mode). This key can be enabled or disabled when operating from a source different than the operator by setting parameter o2-02.

# Power Up and Basic Parameter Setup

## ◆ Start Up Procedure

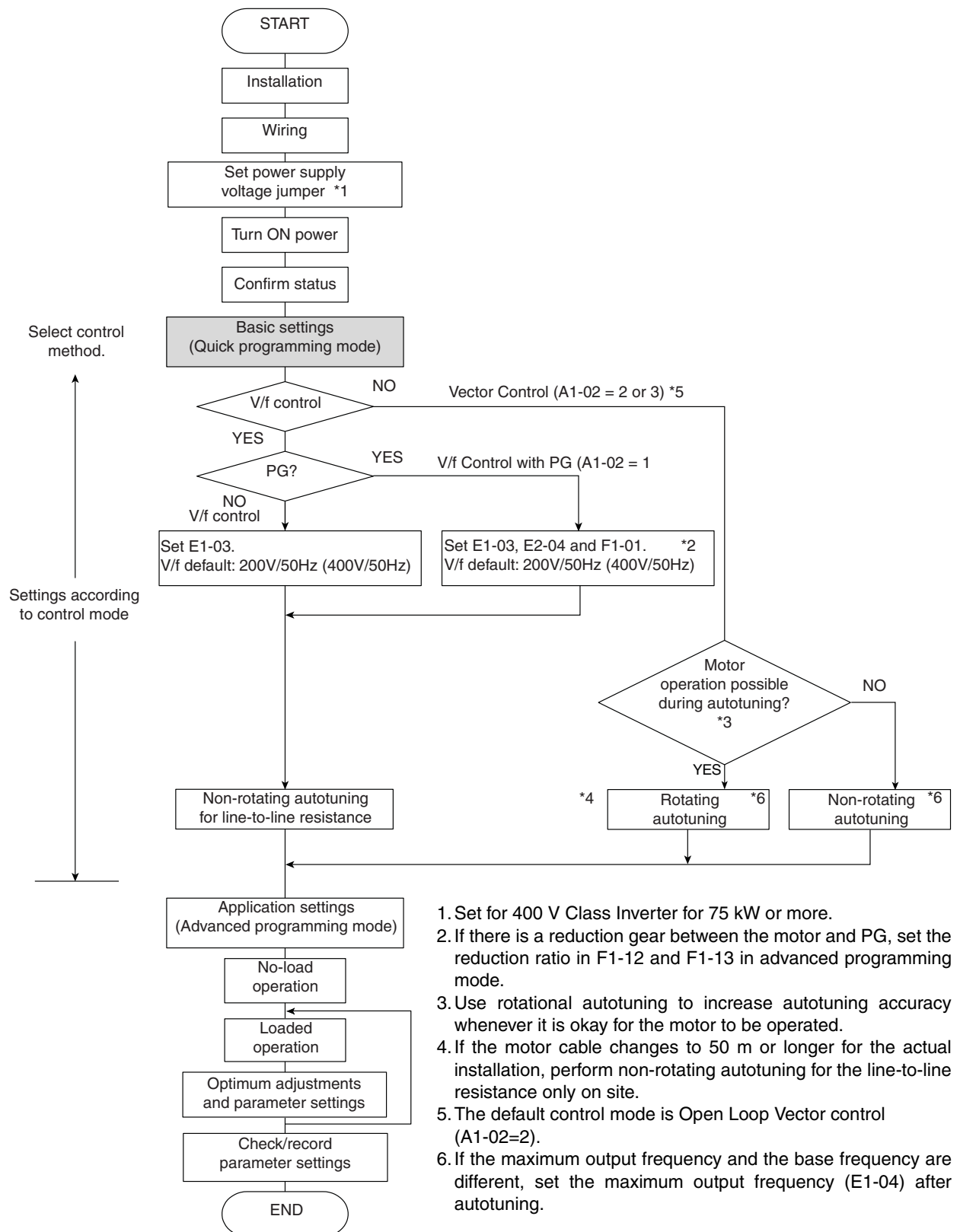


Fig 8 Trial Operation Flowchart



---

## ◆ Before Power Up

The following points should be checked carefully before the power is switched on.

- Check if the power supply meets the inverter specification.
- Check if the power supply cables are tightly connected to the right terminals (L1, L2, L3).
- Check if the motor cables are tightly connected to the right terminals on the inverter side (U, V, W) as well as on the motor side.
- Check if the braking unit / braking resistor is connected correctly.
- Check if the Inverter control circuit terminal and the control device are wired correctly.
- Set all Inverter control circuit terminals to OFF.
- When a PG card is used, check if it is wired correctly.

---

## ◆ Display after Power Up

After normal power up without any problems the operator display shows the following messages

Display for normal operation

```
-DRIVE-  
Frequency RefRdy  
U1- 01=50.00Hz  
-----  
U1-02=50.00Hz  
U1-03=10.05A
```

The frequency reference monitor is displayed in the data display section.

When a fault has occurred or an alarm is active a fault or alarm message will appear. In this case, refer to [page 21, Troubleshooting](#).

Display for fault operation

```
-DRIVE-  
UV  
DC Bus Undervolt
```

A fault or alarm message is shown on the display.  
The example shows a low voltage alarm.

---

## ◆ Autotuning

Autotuning sets motor parameters automatically when using Open Loop or Closed Loop Vector control, when the cable length is long or the installation has changed.

### ■ Setting the Autotuning Mode

One of the following three autotuning modes can be set.

- Rotating autotuning
- Non-rotating autotuning
- Non-rotating autotuning for line-to-line resistance only

#### Rotating Autotuning (T1-01 = 0)

Rotating autotuning is used for Open Loop and Closed Loop Vector control only. Set T1-01 to 0, input the data from the motor nameplate, and then press the RUN key on the Digital Operator. The Inverter will operate the motor for approximately 1 minute and set the required motor parameters automatically.

#### Non-rotating Autotuning (T1-01 = 1)

Non-rotating autotuning is used for Open Loop and Closed Loop Vector control only. Set T1-01 to 1, input the data from the motor nameplate, and then press the RUN key on the Digital Operator. The inverter will supply power to the non-rotating motor for approximately 1 minute and some of the

motor parameters will be set automatically. The remaining motor parameters will be set automatically during the first time operation.

### **Non-rotating Autotuning for Line-to-Line Resistance (T1-01 = 2)**

Non-rotating autotuning for line-to-line resistance can be used in any control mode. This is the only possible autotuning for V/f control and V/f control with PG.

It can be used to improve the performance when the motor cable is long, the cable length has changed or when the motor and inverter have different capacities.

To perform autotuning in V/f control or V/f control with PG, set T1-02 (Motor rated power) and T1-04 (Motor rated current) and then press the RUN key on the Digital Operator. The Inverter will supply power to the non-rotating motor for approximately 20 seconds and the Motor line-to-line resistance and cable resistance will be automatically measured.



1. Power will be supplied to the motor during autotuning but the motor will not turn. Do not touch the motor until autotuning has been completed.
2. Ensure that all motor contactors are closed before the autotuning is started.
3. To cancel autotuning press the STOP key on the Digital Operator.

### **■ Other Alarms and Faults During Autotuning**

For an overview of possible autotuning alarms or faults and corrective actions refer to [page 24, Auto-tuning Faults](#).

# User Parameter

Parameter Number	Name	Description
<b>Initialize Data</b>		
A1-00	Language selection for Digital Operator display(JVOP-160-OY only)	<b>0:English</b> 2: German 3: French 4: Italian 5: Spanish 6: Portuguese
A1-01	Parameter access level	<b>0:Monitoring only (Monitoring drive mode and setting A1-01 and A1-04.)</b> 1: Used to select user parameters (Only parameters set in A2-01 to A2-32 can be read and set.) 2: Advanced (Parameters can be read and set in both, quick programming mode (Q) and advanced programming mode (A).
A1-02	Control method selection	<b>0:V/f control</b> 1: V/f control with PG 2: Open loop vector control 3: Closed loop vector control
A1-03	Initialize	0: No initializing 1110: Initializes using the user parameters 2220: Initializes using a two-wire sequence. (Initializes to the factory setting.) 3330: Initializes using a three-wire sequence.
<b>Sequence / Reference Source</b>		
b1-01	Reference source selection	Sets the frequency reference input method. <b>0:Digital Operator</b> 1: Control circuit terminal (analog input) 2: Serial communication (RS422 / 485) 3: Option Card
b1-02	RUN command source selection	Sets the run command input method. <b>0:Digital Operator</b> 1: Control circuit terminal (digital inputs) 2: Serial communication (RS422 / 485) 3: Option Card
b1-03	Stopping method selection	Selects the stopping method when the Run signal is removed <b>0:Deceleration to stop</b> 1: Coast to stop 2: DC injection to stop 3: Coast to stop with timer (New Run commands are disregarded while coasting.)
b1-04	Prohibition of reverse operation	<b>0:Reverse enabled</b> 1: Reverse disabled 2: Output Phase Rotation (both rotational directions are enabled) 3: Output Phase Rotation with Reverse disabled.
<b>Acceleration / Deceleration Settings</b>		
C1- <input type="checkbox"/>	Acceleration/Deceleration times	Sets the time to accelerate/decelerate from 0 Hz to the maximum output frequency.
<b>S-Curve Settings</b>		
C2- <input type="checkbox"/>	S-curve characteristic time at acceleration	Sets the S-curve characteristic at acceleration start and end.

Parameter Number	Name	Description
<b>Motor Slip Compensation (not available in V/f with PG)</b>		
C3-01	Slip compensation gain	Used to improve speed accuracy <ul style="list-style-type: none"> <li>Increase if output frequency is too low</li> <li>Decrease if output frequency is too high.</li> </ul>
C3-02	Slip compensation delay time (only available in V/f and OLV)	Sets the slip compensation delay time <ul style="list-style-type: none"> <li>Increase if output frequency is not stable</li> <li>Decrease setting when slip compensation responsiveness is low.</li> </ul>
<b>Speed Control (ASR) (only available in V/f with PG and CLV)</b>		
C5-01	ASR proportional gain 1	Sets the proportional gain of the speed loop (ASR)
C5-02	ASR integral time 1	Sets the integral time of the speed loop (ASR)
C5-03	ASR proportional gain 2	
C5-04	ASR integral time 2	
C5-06	ASR delay time (only CLV)	Sets the ASR filter time constant.
C5-07	ASR switching frequency (only CLV)	Sets the frequency for switching between ASR gain 1, 2 and ASR integral time 1, 2
C5-08	ASR integral limit (only CLV)	Sets the limit for the integral part of the ASR controller.
<b>Carrier Frequency</b>		
C6-01	Heavy/Normal duty selection	<b>0:Heavy Duty</b> 1: Normal Duty 1 2: Normal Duty 2
C6-02	Carrier frequency selection	Selects the carrier frequency (factory setting depends on Inverter capacity) <b>0: Low noise, low carrier</b> 1: 2.0 kHz 2: 5.0 kHz 3: 8.0 kHz 4: 10.0 kHz 5: 12.5 kHz 6: 15.0 kHz F: Programmable pattern
<b>Speed Settings</b>		
d1-01 to d1-16	Multi speed references 1 to 16	Sets the multi-step speed references.
d1-17	Jog frequency reference	
<b>Torque Control (only available in CLV)</b>		
d5-01	Torque control selection	<b>0:Speed control</b> 1: Torque control
d5-06	Speed/torque control switch over timer	Sets the delay from inputting a "speed/torque control change" signal (by digital input) until the control is actually changed
<b>V/f Pattern Settings</b>		
E1-01	Input voltage setting	This setting is used as a reference value for protection functions.

Parameter Number	Name	Description
E1-04	Max. output frequency (FMAX)	<p>Output Voltage (V)</p> <p>VMAX (E1-05) (VBASE) (E1-13)</p> <p>VB (E1-08)</p> <p>VMIN (E1-10)</p> <p>FMIN (E1-09) FB (E1-07) FA (E1-06) FMAX (E1-04)</p> <p>Frequency (Hz)</p> <p>To set V/f characteristics in a straight line, set the same values for E1-07 and E1-09. In this case, the setting for E1-08 will be disregarded.</p> <p>Always ensure that the four frequencies are set in the following order: E1-04 (FMAX) ≥ E1-06 (FA) &gt; E1-07 (FB) ≥ E1-09 (FMIN)</p>
E1-05	Max. output voltage (VMAX)	
E1-06	Base frequency (FA)	
E1-13	Base Voltage (VBASE)	
<b>Motor Data Settings</b>		
E2-01	Motor rated current	Sets the motor data.
E2-02	Motor rated slip	
E2-03	Motor no-load current	
E2-04	Number of motor poles	
E2-09	Motor mechanical losses	
E2-11	Motor rated output power	
<b>PG Option Setup</b>		
F1-01	PG constant	Sets the number of PG pulses per revolution
F1-05	PG rotation	<b>0:Phase A leads with forward run command</b> 1:Phase B leads with forward run command
<b>Digital I/O Settings</b>		
H1-01 to H1-05	Terminal S3 to S7 function selection	Refer to <a href="#">page 20, Digital Input Function Selections (H1-01 to H1-05)</a> for a list of selections
H2-01 and H2-02	Terminal M1-M2 and M3-M4 function selection	Refer to <a href="#">page 20, Digital Output Function Selections</a> for a list of selections
<b>Analog I/O Settings</b>		
H3-08	Analog input A2 signal level selection	Selects the signal level input at multi-function analog input A2. <b>0:0 to +10 V (11 bit).</b> 1:-10 to +10 V 2:4 to 20 mA (9-bit input). Ensure to switch S1-2 to "V" before using a voltage input.
H3-09	Analog input A2 function selection.	Selects the multi-function analog input function for terminal A2.

Parameter Number	Name	Description
H3-13	Terminal A1/A2 switching	Selects on which terminal the main frequency reference can be input. <b>0:Use analog input 1 on terminal A1 for main frequency reference.</b> 1:Use analog input 2 on terminal A2 for main frequency reference.
H4-01	Terminal FM monitor selection	Sets the number of the monitor item to be output (U1-□□) at terminal FM/AM.
H4-04	Terminal AM monitor selection	
<b>Pulse Train I/O</b>		
H6-01	Pulse train input function selection	Selects the pulse train input function <b>0:Frequency reference</b> 1:PID feedback value 2:PID target value
H6-02	Pulse train input scaling	Sets the number of pulses in Hz that is equivalent to 100% of the input item selected in H6-01.
H6-06	Pulse train monitor selection	Selects the pulse train monitor output item (U1-□□)
H6-07	Pulse monitor scaling	Sets the number of pulses output in Hz when the monitor item is 100%.
<b>Stall Prevention</b>		
L3-01	Stall prevention selection during accel (not available in CLV)	<b>0:Disabled (Acceleration as set. With a heavy load, the motor may stall.)</b> 1:Enabled (Acceleration stopped when L3-02 level is exceeded. Acceleration starts again when the current has fallen below the stall prevention level). 2:Intelligent acceleration mode (Using the L3-02 level as a basis, acceleration is automatically adjusted. Set acceleration time is disregarded.)
L3-04	Stall prevention selection during decel	<b>0:Disabled (Deceleration as set. If deceleration time is too short, a DC bus overvoltage may result.)</b> 1:Enabled (Deceleration is stopped when the DC bus voltage exceeds the stall prevention level. Deceleration restarts when the voltage falls below the stall prevention level again.) 2:Intelligent deceleration mode (Deceleration rate is automatically adjusted so that the Inverter can decelerate in the shortest possible time. The set deceleration time is disregarded.) 3:Enabled with braking resistor
<b>Fault Restart</b>		
L5-01	Number of auto restart attempts	Sets the number of auto restart attempts. Automatically restarts after a fault and conducts a speed search from the run frequency.
L5-02	Auto restart operation selection	Sets whether a fault relay is activated during fault restart. <b>0:No output (Fault relay is not activated.)</b> 1:Output (Fault relay is activated.)

Parameter Number	Name	Description
<b>Torque Limit (only OLV and CLV)</b>		
L7-01	Forward drive torque limit	Sets the torque limit value as a percentage of the motor rated torque.
L7-02	Reverse drive torque limit	Four individual regions can be set. 
L7-03	Forward regenerative torque limit	
L7-04	Reverse regenerative torque limit	
<b>Monitor Data</b>		
U1-01	Frequency reference in Hz / rpm	
U1-02	Output frequency in Hz / rpm	
U1-03	Output current in A	
U1-06	Output voltage in VAC	
U1-07	DC bus voltage in VDC	
U1-08	Output power in kW	
U1-09	Torque reference	
U1-10	Input terminal status	Shows input ON/OFF status. U1-10 = <ul style="list-style-type: none"> <li>1: FWD command (S1) is ON</li> <li>1: REV command (S2) is ON</li> <li>1: Multi input 1 (S3) is ON</li> <li>1: Multi input 2 (S4) is ON</li> <li>1: Multi input 3 (S5) is ON</li> <li>1: Multi input 4 (S6) is ON</li> <li>1: Multi input 5 (S7) is ON</li> </ul>
U1-11	Output terminal status	Shows output ON/OFF status. U1-11 = <ul style="list-style-type: none"> <li>1: Multi-function contact output 1 (M1-M2) is ON</li> <li>1: Multi-function contact output 2 (M3-M4) is ON</li> <li>1: Multi-function contact output 3 (M5-M6) is ON</li> <li>Not used (Always 0).</li> <li>1: Error output (MA/MB-MC) is ON</li> </ul>
U1-12	Operation status	Inverter operating status. U1-12 = <ul style="list-style-type: none"> <li>Run</li> <li>1: Zero speed</li> <li>1: Reverse</li> <li>1: Reset signal input</li> <li>1: Speed agree</li> <li>1: Inverter ready</li> <li>1: Minor fault</li> <li>1: Major fault</li> </ul>
U1-13	Cumulative operation time in hrs.	
U1-21	ASR input	
U1-22	ASR output	
U1-34	OPE fault parameter	
U1-40	Cooling fan operating time in hrs.	

Parameter Number	Name	Description
<b>Fault Trace Data</b>		
U2-01	Current fault	
U2-02	Last fault	
U2-03	Reference frequency at fault	
U2-04	Output frequency at fault	
U2-05	Output current at fault	
U2-07	Output voltage reference at fault	
U2-08	DC bus voltage at fault	
U2-09	Output power at fault	
U2-11	Input terminal status at fault	
U2-12	Output terminal status at fault	
U2-13	Operation status at fault	
U2-14	Cumulative operation time at fault	
<b>Fault History Data</b>		
U3-01 to U3-04	Last fault to fourth last fault	
U3-05 to U3-08	Cumulative operation time at fault 1 to 4	
U3-09 to U3-14	Fifth last to tenth last fault	
U3-15 to U3-20	Accumulated time of fifth to tenth fault	
* The following faults are not recorded in the error log: CPF00, 01, 02, 03, UV1, and UV2.		
<b>Digital Input Function Selections (H1-01 to H1-05)</b>		
3	Multi-step speed reference 1	
4	Multi-step speed reference 2	
5	Multi-step speed reference 3	
6	Jog frequency command (higher priority than multi-step speed reference)	
7	Accel/decel time selection 1	
F	Not used (Set when a terminal is not used)	
14	Fault reset (Reset when turned ON)	
19	PI control disable	
20 to 2F	External fault; Input mode: NO contact/NC contact, Detection mode: Normal/during operation	
71	Speed/torque control change (ON: Torque control)	
77	Speed control (ASR) gain switching (ON: C5-03)	
<b>Digital Output Function Selections (H2-01 and H2-02)</b>		
0	During run 1 (ON: run command is ON or voltage is being output)	
6	Inverter operation ready; READY: After initialization or no faults	
F	Not used. (Set when the terminal is not used.)	
10	Minor fault (Alarm) (ON: Alarm displayed)	
1A	During reverse run (ON: During reverse run)	
1F	Motor overload (OL1, including OH3) pre-alarm (ON: 90% or more of the detection level)	
30	During torque limit (current limit) (ON: During torque limit)	
32	Activated if the ASR is operating for torque limit. The ASR output becomes the torque reference, the motor is rotating at the speed limit.	

# Troubleshooting

## ◆ General Faults and Alarms

Faults and Alarms indicate unusual inverter / application conditions.

An alarm does not necessarily switch off the inverter but a message is displayed on the keypad (i.e. a flashing alarm code) and an alarm output can be generated at the multi-function outputs (H2-01 and H2-02) if programmed. An alarm automatically disappears if the alarm condition is not present anymore.

A fault switches the inverter output off immediately, a message is displayed on the keypad and the fault output is switched. The fault must be reset manually after the cause and the RUN signal have been removed.

The following table shows a list of faults and alarms with their corrective actions.

Display	Alarm	Fault	Meaning	Corrective Actions
BUS Option Com Err	○		Option Card Communication Alarm After initial communication was established, the connection was lost.	Check the connections and all user-side software configurations.
CF Out of Control		○	Control Fault A torque limit was reached continuously for 3 seconds or longer during a deceleration stop in Open Loop Vector control	Check the motor parameters
CPF00 COM- ERR(OP&INV)		○	Digital Operator Communication Fault 1/2 • Communication fault between Operator and Inverter • CPU External RAM Fault	<ul style="list-style-type: none"> <li>• Disconnect the Digital Operator and then connect it again.</li> <li>• Cycle the Inverter power supply.</li> <li>• Replace the Inverter.</li> </ul>
CPF01 COM- ERR(OP&INV)				
CPF02 BB Circuit Err		○	CPF02 Fault Baseblock circuit error	<ul style="list-style-type: none"> <li>• Perform an initialization to factory defaults.</li> <li>• Cycle the Inverter power supply.</li> <li>• Replace the Inverter.</li> </ul>
CPF03 EEPROM Error		○	CPF03 EEPROM error	
CPF04 INternal A/D Err		○	CPF04 CPU Internal A/D Converter Fault	
DEV Speed Deviation		○	F1-04 = 0, 1 or 2 and A1-02 = 1 or 3 The speed deviation has been greater than the setting in F1-10 for a time longer than the setting F1-11.	<ul style="list-style-type: none"> <li>• Reduce the load.</li> <li>• Lengthen the acceleration and deceleration time</li> <li>• Check the mechanical system</li> <li>• Check the settings of F1-10 and F1-11</li> <li>• Check the sequence and if the brake is opened when the inverter starts to increase the speed.</li> </ul>
	○		F1-04 = 3 and A1-02 = 1 or 3 The speed deviation has been greater than the setting in F1-10 for a time longer than the setting F1-11.	
EF External Fault	○		Forward/Reverse Run Commands Input Together Both the forward and the reverse run commands are input simultaneously for 500ms or more. This alarm stops the motor.	Check external sequence logic, so that only one input is activated at a time.
EF0 Opt External Flt		○	External fault input from Communications Option Card	<ul style="list-style-type: none"> <li>• Check for an external fault condition.</li> <li>• Verify the parameters.</li> <li>• Verify communication signals</li> </ul>
EFx Ext Fault Sx	○	○	External fault at terminal Sx (x stands for terminals S3 to S7)	Eliminate the cause of the external fault condition.
Ext Run Active Cannot Reset	○		Detected after a fault when a RESET command is input while the RUN command is still active	Remove the RUN signal first and reset the error.
GF Ground Fault		○	Ground Fault The ground current at the Inverter output exceeded 50% of the Inverter rated output current and L8-09=1 (Enabled).	<ul style="list-style-type: none"> <li>• Remove the motor and run the Inverter without the motor.</li> <li>• Check the motor for a phase to ground short.</li> <li>• Check the output current with a clampmeter to verify the DCCT reading.</li> <li>• Check the control sequence for wrong motor contactor signals.</li> </ul>

Display	Alarm	Fault	Meaning	Corrective Actions
OC Over Current		○	Over Current The Inverter's output current exceeded the over-current detection level.	<ul style="list-style-type: none"> <li>Remove the motor and run the Inverter without the motor.</li> <li>Check the motor for a phase-to-phase short.</li> <li>Verify the accel/decel times (C1-□□).</li> <li>Check the Inverter for a phase-to-phase short at the output.</li> </ul>
OH Heatsnk Overtemp		○	Heatsink Overheat L8-03 = 0, 1 or 2 and the temperature of the Inverter's cooling fin exceeded the L8-02 value.	<ul style="list-style-type: none"> <li>Check for dirt build-up on the fans or heat-sink.</li> <li>Reduce the ambient temperature around the drive.</li> <li>Replace the cooling fan(s).</li> </ul>
	○	○	Inverter's Cooling Fan Stopped L8-03 = 3 or 4 and the temperature of the Inverter's cooling fin exceeded the L8-02 value.	
OH1 Heatsink Max Temp		○	Heatsink Overheat The temperature of the Inverter's heatsink exceeded 105 °C.	<ul style="list-style-type: none"> <li>Check for dirt build-up on the fans or heat-sink.</li> <li>Reduce the ambient temperature around the drive.</li> <li>Replace the cooling fan(s).</li> </ul>
		○	Inverter's Cooling Fan Stopped	
OL1 Motor Overload		○	Motor Overload Detected when L1-01 is set to 1, 2 or 3 and the Inverter's I <sup>2</sup> t value exceeded the motor overload curve. The overload curve is adjustable using parameter E2-01 (Motor Rated Current), L1-01 (Motor Protection Selection) and L2-02 (Motor Protection Time Constant)	<ul style="list-style-type: none"> <li>Recheck the cycle time and the size of the load as well as the accel/decel times (C1-□□).</li> <li>Check the V/f characteristics (E1-□□).</li> <li>Check the setting of Motor Rated Current Setting (E2-01).</li> </ul>
OL2 Inv Overload		○	Inverter Overload The Inverter output current exceeded the Inverter's overload capability	<ul style="list-style-type: none"> <li>Recheck the cycle time and the size of the load as well as the accel/decel times (C1-□□).</li> <li>Check the V/f Characteristics (E1-□□).</li> <li>Check if the inverter rated current matches the motor rated current.</li> </ul>
OS Overspeed Det.		○	F1-03 = 0, 1 or 2 and A1-02 = 1 or 3 The motor speed feedback (U1-05) exceeded the setting in F1-08 for a time longer than the setting of F1-09	<ul style="list-style-type: none"> <li>Adjust the ASR settings in the C5 parameter group</li> <li>Check the reference circuit and reference gain.</li> <li>Check the settings in F1-08 and F1-09</li> </ul>
		○	F1-03 = 3 and A1-02 = 1 or 3 The motor speed feedback (U1-05) exceeded the setting in F1-08 for a time longer than the setting of F1-09	
OV DC Bus Overvolt	○ (only in stop condition)	○	The DC bus voltage has exceeded the overvoltage detection level. Default detection levels are: 200 V class: 410 VDC 400 V class: 820 VDC	<ul style="list-style-type: none"> <li>Increase the deceleration time (C1-02/04) or connect a braking option.</li> <li>Check the power supply and decrease the voltage to meet the inverter's specifications.</li> <li>Check the braking chopper / resistor.</li> </ul>
PF Input Phase Loss		○	Input Phase Loss Too big DC bus voltage ripple. Only detected when L8-05=1 (enabled)	<ul style="list-style-type: none"> <li>Tighten the input terminal screws</li> <li>Check the power supply voltage</li> </ul>
PGO PG Open		○	PG Disconnection Detected when F1-02 = 0, 1 or 2 and A1-02 = 1 or 3. Detected when no PG (encoder) pulses have been received for a time longer than the setting in F1-14.	<ul style="list-style-type: none"> <li>Fix the broken/disconnected wiring.</li> <li>Supply power to the PG properly.</li> <li>Check the sequence and if the brake is opened when the inverter starts to increase the speed.</li> </ul>
		○	PG Disconnection Detected when F1-02 = 3 and A1-02 = 1 or 3. PG (encoder) pulses have not been received for a time longer than the setting in F1-14.	

Display	Alarm	Fault	Meaning	Corrective Actions
PUF DC Bus Fuse Open		○	DC Bus Fuse Open The fuse in the main circuit is blown. Warning: PG (encoder) pulses have not been received for a time longer than the setting in F1-14.	<ul style="list-style-type: none"> <li>Check the motor and the motor cables for short circuits or insulation failures (phase-to-phase).</li> <li>Replace the inverter after correcting the fault.</li> </ul>
RR DynBrk Transistr		○	Dynamic Braking Transistor The built-in dynamic braking transistor failed	<ul style="list-style-type: none"> <li>Cycle power to the inverter.</li> <li>Replace the inverter.</li> </ul>
UV1 DC Bus Undervolt	○ (only in stop condition)	○	The DC bus voltage is below the Undervoltage Detection Level (L2-05). The default settings are: 200V class: 190 VDC 400 V class: 380 VDC Main Circuit MC Operation Failure No MC response during Inverter operation.	<ul style="list-style-type: none"> <li>Check the input voltage.</li> <li>Check the wiring of the input terminals.</li> <li>Check the input voltage and the wiring of the input terminals.</li> <li>Extend the settings in C1-01/03</li> </ul>
UV2 CTL PS Undervolt		○	Control Power Supply Undervoltage Undervoltage of the control circuit while the Inverter was running.	<ul style="list-style-type: none"> <li>Remove all connection to the control terminals and cycle the power to the Inverter.</li> <li>Replace the Inverter.</li> </ul>

## ◆ Operator Programming Errors

An Operator Programming Error (OPE) occurs when two or more parameter related to each other are set inappropriately or an individual parameter setting is incorrect. The Inverter does not operate until the parameter setting is corrected; however, no other alarm or fault output will occur. If an OPE occurs, change the related parameter by checking the cause shown in the table below. When an OPE error is displayed, press the ENTER key to see U1-34 (OPE Detected). This monitor displays the parameter that is causing the OPE error.

Display	Meaning	Corrective Actions
OPE01 kVA Selection	Inverter kVA Setting Error	Enter the correct kVA setting in o2-04.
OPE02 Limit	Parameter setting is out of its range	Verify the parameter settings.
OPE03 Terminal	One of the following errors has been made in the multi-function input (H1-01 to H1-05) settings: <ul style="list-style-type: none"> <li>Duplicate functions were selected.</li> <li>UP/DOWN Command(10 and 11) were not selected simultaneously.</li> <li>The up/down commands (10 and 11) and Accel/Decel Ramp Hold (A) were selected at the same time.</li> <li>More than one of the Speed Search inputs (61, 62, 64) were set simultaneously.</li> <li>External Baseblock NO (8) and External Baseblock NC (9) were selected at the same time.</li> <li>The up/down commands (10 and 11) were selected while PID Control was enabled.</li> <li>The Emergency Stop Command NO (15) and NC(17) are set simultaneously.</li> <li>PID is enabled and UP and/or DOWN (10 / 11) command are set.</li> <li>HSB (68) and KEB (65/66) command are set simultaneously.</li> </ul>	Verify the parameter settings in H1-□□
OPE05 Sequence Select	RUN/Reference Command Selection Error The Reference Source Selection b1-01 and/or the RUN Source Selection parameter b1-02 are set to 3 (option board) but no option board is installed.	<ul style="list-style-type: none"> <li>Verify that the board is installed. Remove the power supply and re-install the option board again</li> <li>Recheck the setting of b1-01 and b1-02</li> </ul>
OPE06 PG Opt Missing	Control Method Selection Error One of the control methods needing a PG feedback was selected (A1-02 = 1 or 3), but a PG option board is not installed.	Verify the control method selection in parameter A1-02 and/or the installation of the PG option board.



Display	Meaning	Corrective Actions
OPE08 Constant Selection	Function Selection Error A setting has been made that is applicable with the current control method. Example: A function used only with open loop vector control was selected for V/f control.	Verify the control method and the function.
OPE10 V/f Ptrn Setting	V/f Parameter Setting Error	Check parameters (E1-□□). A frequency/voltage value may be set higher than the maximum frequency/voltage.

## ◆ Autotuning Faults

Autotuning faults are shown below. When the following faults are detected, the fault is displayed on the digital operator and the motor coasts to stop. No fault or alarm outputs will be operated.

Display	Meaning	Corrective Actions
Er-01 Fault	Motor data fault	<ul style="list-style-type: none"> <li>• Check the input data.</li> <li>• Check the Inverter and motor capacity.</li> <li>• Check the motor rated current and no-load current setting.</li> </ul>
Er-02 Minor Fault	Alarm	<ul style="list-style-type: none"> <li>• Check the input data.</li> <li>• Check wiring and the machine.</li> <li>• Check the load.</li> </ul>
Er-03 STOP key	STOP key input	-
Er-04 Resistance	Line-to-Line Resistance Fault Autotuning result is outside the parameter setting range.	<ul style="list-style-type: none"> <li>• Check the input data.</li> <li>• Check the motor wiring.</li> <li>• If the motor is connected to the machine, disconnect it.</li> <li>• If the setting of T1-03 is higher than the Inverter input power supply voltage (E1-01), change the input data.</li> </ul>
Er-05 No-Load Current	No-Load Current Fault Autotuning result is outside the parameter setting range.	
Er-08 Rated slip	Rated Slip Fault Autotuning result is outside the parameter setting range.	
Er-09 Accelerate	Acceleration Fault (Rotating autotuning only) The motor did not accelerate in the specified time (C1-10+10sec.)	<ul style="list-style-type: none"> <li>• Increase C1-01(Acceleration time)</li> <li>• Increase L7-01 and L7-02 (Torque limits)</li> <li>• If the motor is connected to the machine, disconnect it.</li> </ul>
Er-11 Motor Speed	Motor Speed Fault (Rotating autotuning only) The torque reference exceeded 100% during acceleration. Detected only when A1-02 = 2 or 3 (Vector control modes).	<ul style="list-style-type: none"> <li>• If the motor is connected to the machine, disconnect it.</li> <li>• Increase C1-01</li> <li>• Check the input data (particularly the number of PG pulses and the number of motor poles)</li> </ul>
Er-12 I-det. Circuit	Current Detection Fault <ul style="list-style-type: none"> <li>• The current exceeded the motor rated current.</li> <li>• Any of U/T1, V/T2 and W/T3 has open-phase.</li> </ul>	Check wiring of the Inverter and the mounting.
Er-13 Leakage Inductance Fault	Leakage Inductance Fault Autotuning result is outside the parameter setting range.	Check motor wiring.
End-1 V/f Over Setting	Rated Current Setting Alarm Displayed after auto-tuning is complete During auto-tuning, the measured value of motor rated current (E2-01) was higher than the set value.	Check the motor rated current value.
End-2 Saturation	Motor Core Saturation Alarm (only for rotating autotuning)	<ul style="list-style-type: none"> <li>• Check the input data</li> <li>• Check the motor wiring.</li> <li>• If the motor is connected to the machine, disconnect it.</li> </ul>
End-3 Rated FLA Alm	Rated Current Setting Alarm During autotuning the measured value of motor rated current (E2-01) was greater than the set value.	Check the motor rated current value

# F7Z Kurzanleitung

## Inhaltsverzeichnis

<b>Warnhinweise .....</b>	<b>DE-2</b>
◆ Sicherheitshinweise und Anleitungen .....	DE-3
◆ Elektromagnetische Verträglichkeit .....	DE-4
<b>Installation .....</b>	<b>DE-6</b>
◆ Mechanische Installation .....	DE-6
◆ Elektrischer Anschluss .....	DE-8
◆ Verdrahtung der Spannungsversorgung .....	DE-12
<b>Bedienung über die Tastatur .....</b>	<b>DE-14</b>
◆ Digitale Bedienkonsole (optional) .....	DE-14
<b>Einschalten und Grundparameter-Einstellungen ...</b>	<b>DE-15</b>
◆ Inbetriebnahme .....	DE-15
◆ Vor dem Einschalten .....	DE-16
◆ Anzeige nach dem Einschalten .....	DE-16
◆ Autotuning .....	DE-16
<b>Anwenderparameter .....</b>	<b>DE-18</b>
<b>Fehlerbehebung .....</b>	<b>DE-21</b>
◆ Allgemeine Fehler und Alarme .....	DE-21
◆ Fehler bei der Programmierung durch den Anwender .....	DE-23
◆ Autotuning-Fehler .....	DE-24



## ACHTUNG

**Solange die Versorgungsspannung eingeschaltet ist, dürfen weder Kabel an- oder abgeklemmt werden, noch dürfen Signalprüfungen durchgeführt werden.**

Der Zwischenkreis des Varispeed F7 bleibt auch dann geladen, wenn die Spannungsversorgung unterbrochen wurde. Trennen Sie den Frequenzumrichter vor Ausführung von Wartungsarbeiten von der Spannungsversorgung, um einen elektrischen Schlag zu vermeiden. Warten Sie anschließend mindestens 5 Minuten, bis alle LEDs erloschen sind.

Führen Sie an keinem Teil des Varispeed Spannungsfestigkeitstests durch. Der Frequenzumrichter enthält Halbleiter, die für derart hohe Spannungen nicht ausgelegt sind.

Die digitale Bedienkonsole darf nicht bei eingeschalteter Spannungsversorgung abgebaut werden. Berühren Sie keine Platinen, wenn der Frequenzumrichter an die Spannungsversorgung angeschlossen ist.

Schließen Sie niemals LC/RC-Entstörfilter, Kondensatoren oder Überspannungsschutzgeräte an den Ein- oder Ausgang des Frequenzumrichters an, die nicht speziell für den Frequenzumrichter vorgesehen sind.

Um unnötige Überstromfehler usw. zu vermeiden, müssen die Signalkontakte aller Schütze oder Schalter, die zwischen Frequenzumrichter und Motor geschaltet sind, in die Steuerungslogik (z. B. Endstufensperre) eingebunden sein.

Das ist zwingend erforderlich!

Dieses Handbuch muss vor Anschluss und Inbetriebnahme des Frequenzumrichters sorgfältig durchgelesen werden. Alle Sicherheitshinweise und Anleitungen müssen beachtet werden.

Der Frequenzumrichter muss gemäß Installationsanleitungen in diesem Handbuch mit geeigneten Netzfiltern betrieben werden. Zudem müssen alle Abdeckungen geschlossen und alle Klemmen abgedeckt sein.

Nur dann ist ein angemessener Schutz gesichert. Geräte mit sichtbaren Beschädigungen oder fehlenden Teilen dürfen nicht angeschlossen oder in Betrieb genommen werden. Der Betreiber der Geräte ist für alle Verletzungen oder Geräteschäden verantwortlich, die aus Nichtbeachtung der Warnhinweise in diesem Handbuch entstehen.

## ◆ Sicherheitshinweise und Anleitungen

### ■ Allgemein

Lesen Sie diese Sicherheitshinweise und Anleitungen vor Installation und Inbetriebnahme dieses Frequenzumrichters. Lesen Sie auch alle Warnhinweise, die auf dem Frequenzumrichter angebracht sind, und achten Sie darauf, dass diese nicht beschädigt oder entfernt werden.

Während des Betriebs können unter Spannung stehende oder heiße Bauteile zugänglich sein. Durch Entfernen von Verkleidungsteilen, der digitalen Bedienkonsole oder Klemmenabdeckungen besteht im Falle einer fehlerhaften Installation oder Bedienung das Risiko von ernsthaften Verletzungen. Durch die Tatsache, dass Frequenzumrichter drehende mechanische Teile von Maschinen steuern, können weitere Gefahren entstehen.

Den Anleitungen in diesem Handbuch muss Folge geleistet werden. Installation, Bedienung oder Wartung darf nur durch qualifiziertes Personal erfolgen. Aus Sicherheitsgründen sind als qualifizierte Mitarbeiter nur solche anzusehen, die mit der Installation, dem Starten, der Bedienung und der Wartung von Frequenzumrichtern vertraut sind und für diese Arbeiten entsprechende Qualifikationen besitzen. Ein sicherer Betrieb dieser Geräte ist nur möglich, wenn diese auch für den vorgesehenen Zweck eingesetzt werden.

Der Zwischenkreis kann nach Abschalten der Versorgungsspannung des Frequenzumrichters noch ca. 5 Minuten lang unter Spannung stehen. Aus diesem Grund muss diese Zeitspanne vor dem Öffnen von Geräteabdeckungen abgewartet werden. Alle Klemmen des Hauptstromkreises können noch gefährliche Spannungen führen.

Kinder und andere nicht autorisierte Personen dürfen keinen Zugang zu Frequenzumrichtern haben.

Bewahren Sie diese Sicherheitshinweise und Anleitungen griffbereit auf, und lassen Sie sie allen Personen zukommen, die Zugang zu den Frequenzumrichtern haben.

### ■ Vorgesehener Verwendungszweck

Frequenzumrichter sind für den Einbau in elektrische Systeme oder Maschinen gedacht.

Ihr Einbau in Maschinen oder Systeme muss folgenden Produktstandards der Niederspannungsrichtlinie entsprechen:

EN 50178, 1997-10, Ausrüstung von Starkstromanlagen mit elektronischen Betriebsmitteln

EN 60204-1, 1997-12 Sicherheit von Maschinen - Elektrische Ausrüstung von Maschinen  
Teil 1: Allgemeine Anforderungen (IEC 60204-1: 1997)/

Bitte beachten Sie Folgendes: Enthält Ergänzungen von September 1998

EN 61010-1, A2, 1995 Sicherheitsbestimmungen für elektrische Mess-, Steuer-, Regel- und Laborgeräte

(IEC 950, 1991 + A1, 1992 + A2, 1993 + A3, 1995 + A4, 1996, modifiziert)

Die CE-Kennzeichnung erfolgt gemäß EN 50178 bei Verwendung der in diesem Handbuch spezifizierten Netzfilter und dem Befolgen der entsprechenden Installationsanleitungen.

### ■ Transport und Lagerung

Die Anleitungen für Transport, Lagerung und richtige Handhabung müssen unter Beachtung der technischen Daten befolgt werden.

### ■ Installation

Installieren und kühlen Sie Frequenzumrichter wie in der Dokumentation spezifiziert. Die Kühlluft muss in der angegebenen Richtung strömen. Der Frequenzumrichter darf dementsprechend nur in der spezifizierten Position (z. B. aufrecht) betrieben werden. Halten Sie die angegebenen Freiräume ein. Schützen Sie die Frequenzumrichter vor unzulässigen Lasten. Bauteile dürfen nicht verbogen werden. Isolationsabstände dürfen nicht geändert werden. Berühren Sie keine elektronischen Bauteile oder Kontakte, um Beschädigungen durch statische Elektrizität zu vermeiden.

## ■ Elektrischer Anschluss

Führen Sie jegliche Arbeiten an unter Spannung stehenden Geräten gemäß der gültigen Sicherheits- und Unfallverhütungsvorschriften durch. Führen Sie die elektrische Installation in Übereinstimmung mit den geltenden Vorschriften durch. Insbesondere müssen Sie die Anweisungen zur Sicherstellung der elektromagnetischen Verträglichkeit (EMV), z. B. Abschirmung, Erdung, Filteranordnung und Verlegung von Kabeln, beachten. Das gilt auch für Geräte, die das CE-Zeichen tragen. Es liegt in der Verantwortung des Herstellers von System oder Maschine, die Konformität mit den EMV-Richtlinien zu gewährleisten.

Wenden Sie sich an Ihren Lieferanten oder die Omron Yaskawa Motion Control-Vertretung, wenn Fehlerstrom-Schutzschalter in Verbindung mit Frequenzumrichtern Verwendung finden.

Für bestimmte Systeme kann es erforderlich sein, gemäß den gültigen Sicherheits- und Unfallverhütungsvorschriften zusätzliche Überwachungs- und Sicherheitseinrichtungen zu verwenden. An der Hardware des Frequenzumrichters dürfen keine Änderungen vorgenommen werden.

## ■ Hinweise

Die Frequenzumrichter Varispeed F7 sind gemäß CE, UL und cUL zertifiziert.

---

## ◆ Elektromagnetische Verträglichkeit

### ■ Einführung

Dieses Handbuch wurde erstellt, um Systemhersteller, die OMRON YASKAWA Motion Control (OYMC)-Frequenzumrichter verwenden, bei der Konstruktion und Installation von elektrischen Schaltgeräten zu unterstützen. Zudem werden die zur Einhaltung der EMV-Richtlinie erforderlichen Maßnahmen beschrieben. Die Anleitungen zur Installation und Verdrahtung in diesem Handbuch müssen deshalb befolgt werden.

Unsere Produkte sind durch autorisierte Stellen unter Anwendung der nachstehend aufgelisteten Normen getestet.

Produktnorm: EN 61800-3:1996  
EN 61800-3; A11:2000

### ■ Maßnahmen zur Sicherstellung der Konformität von OYMC-Frequenzumrichtern mit der EMV-Richtlinie

OYMC-Frequenzumrichter müssen nicht unbedingt in einem Schaltschrank eingebaut werden.

Detaillierte Anleitungen für alle möglichen Installationsarten können nicht gegeben werden. Dieses Handbuch muss daher auf allgemeine Leitlinien begrenzt bleiben.

Alle elektrischen Geräte produzieren Funkstörungen und leitungsgeführte Störungen mit unterschiedlichen Frequenzen. Die Kabel leiten diese Störungen wie eine Antenne an die Umgebung weiter.

Der Anschluss eines elektrischen Geräts (z. B. Frequenzumrichter) ohne Netzfilter an ein Stromnetz kann deshalb bewirken, dass HF- oder NF-Störungen in das Stromnetz gelangen.

Die grundlegenden Gegenmaßnahmen sind die räumliche Trennung der Kabel von Steuer- und Leistungskomponenten, ordnungsgemäße Erdung sowie die Abschirmung von Kabeln.

Für eine Niedrigimpedanz-Erdung von HF-Störungen ist eine große Kontaktfläche erforderlich. Die Verwendung von Erdungsbändern anstelle von Kabeln wird ausdrücklich empfohlen.

Des Weiteren müssen Kabelabschirmungen mit entsprechenden Erdungsschellen verbunden werden.

## ■ Verlegen von Kabeln

Maßnahmen gegen leitungsgebundene Störungen:

Netzfilter und Frequenzrichter müssen auf dieselbe Metallplatte montiert werden. Montieren Sie die beiden Bauteile so nah wie möglich nebeneinander, und halten Sie die Kabel so kurz wie möglich.

Verwenden Sie ein Netzkabel mit gut geerdeter Abschirmung. Verwenden Sie ein abgeschirmtes Motorkabel. Ordnen Sie alle Erdungen so an, dass die Fläche des Kabelendes, die mit der Erdungsklemme in Kontakt ist (z. B. Metallplatte), möglichst groß ist.

Abgeschirmtes Kabel:

- Verwenden Sie ein Kabel mit geflochtener Abschirmung.
- Erden Sie die größtmögliche Fläche der Abschirmung. Es ist ratsam, die Abschirmung durch Verbinden des Kabels mit der Erdungsplatte durch Metallschellen (siehe nachfolgende Abbildung) zu erden.

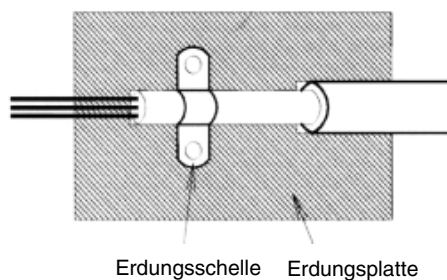


Abb 1 Erdung der Kabelabschirmung mit Metallschellen

Die Erdungsflächen müssen aus hoch leitfähigem, blankem Metall bestehen. Entfernen Sie Lack- und Farbbeschichtungen.

- Erden Sie die Kabelabschirmungen an beiden Enden.
- Erden Sie den Motor an der Maschine.

## ◆ Mechanische Installation

### ■ Auspacken des Frequenzumrichters

Überprüfen Sie nach dem Auspacken des Frequenzumrichters folgende Punkte.

Eigenschaft	Vorgehensweise
Wurde das richtige Frequenzumrichtermodell geliefert?	Prüfen Sie die Modellnummer auf dem Typenschild an der Seite des Frequenzumrichters.
Ist der Frequenzumrichter irgendwie beschädigt?	Überprüfen Sie das gesamte Gehäuse des Frequenzumrichters auf Kratzer oder sonstige Transportschäden.
Sind Schrauben oder andere Bauteile lose?	Verwenden Sie einen Schraubendreher oder andere Werkzeuge, um alle Schrauben und Bauteile auf festen Sitz zu prüfen.

Wenn Sie bei den oben genannten Punkten Unregelmäßigkeiten finden, teilen Sie dies sofort Ihrem Händler oder Ihrer Omron Yaskawa Motion Control-Vertretung mit.

### ■ Überprüfen des Installationsortes

An Ober- und Unterseite der NEMA 1- und IP20-Frequenzumrichter sind Schutzabdeckungen angebracht. Achten Sie darauf, dass vor dem Betrieb eines Frequenzumrichters der 200- oder 400-V-Klasse mit einer Ausgangsleistung bis zu 18,5 kW in einen Schaltschrank die obere Schutzabdeckung entfernt wird.

Beachten Sie bei der Installation des Frequenzumrichters die folgenden Sicherheitshinweise:

- Installieren Sie den Frequenzumrichter an einem sauberen Ort, der frei von Ölnebeln und Staub ist. Er kann in einem vollständig geschlossenen und staubdichten Schaltschrank installiert werden.
- Bei Installation oder Betrieb des Frequenzumrichters müssen Sie besonders darauf achten, dass kein Metallpulver, Öl, Wasser oder sonstige Fremdstoffe in den Frequenzumrichter gelangen.
- Installieren Sie den Frequenzumrichter nicht auf brennbarem Material, wie z. B. Holz.
- Installieren Sie den Frequenzumrichter an einem Ort, der frei von radioaktiven oder brennbaren Materialien ist.
- Installieren Sie den Frequenzumrichter an einem Ort, der frei von schädlichen Gasen oder Flüssigkeiten ist.
- Installieren Sie den Frequenzumrichter an einem Ort ohne übermäßige Schwingungen.
- Installieren Sie den Frequenzumrichter an einem Ort, der frei von Chloriden ist.
- Installieren Sie den Frequenzumrichter an einem Ort ohne direkte Sonneneinstrahlung.

## ■ Ausrichtung bei der Installation

Installieren Sie den Frequenzumrichter stets aufrecht, damit die Kühlung nicht beeinträchtigt wird. Bei der Installation des Frequenzumrichters müssen immer die nachfolgend angegebenen Einbauabstände vorhanden sein, um eine Wärmeabgabe durch Konvektion zu ermöglichen.

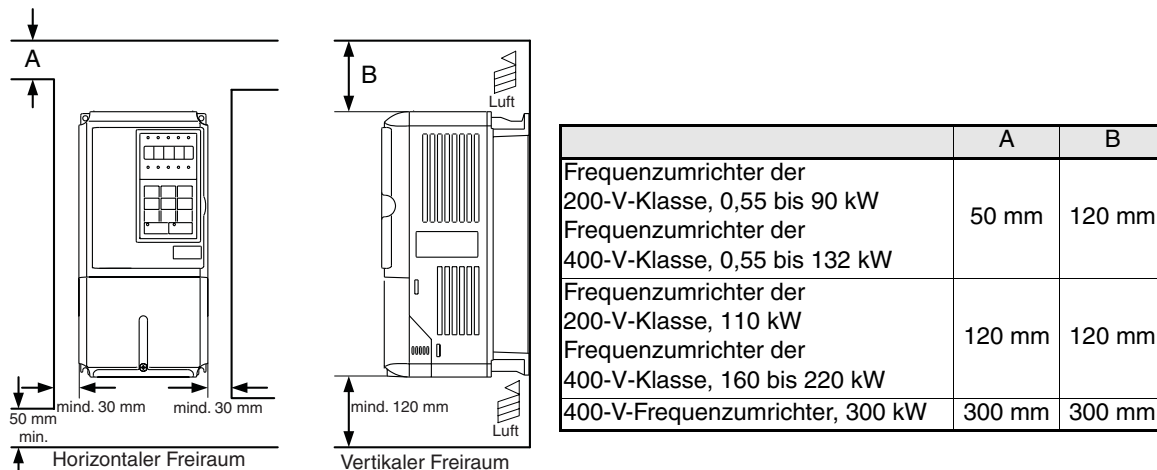


Abb 2 Einbauplatz



1. Die Frequenzumrichter IP00, IP20 und NEMA 1 haben in horizontaler und vertikaler Richtung den gleichen Platzbedarf.
2. Achten Sie unbedingt darauf, dass nach der Installation eines Frequenzumrichters mit einer Ausgangsleistung bis zu 18,5 kW in einen Schaltschrank die obere Schutzabdeckung entfernt wird. Lassen Sie beim Einbau eines Frequenzumrichters mit einer Ausgangsleistung von 22 kW und mehr in einen Schaltschrank immer ausreichend Platz für die Ringschrauben zur Aufhängung und für die Leistungskabel.

## ■ Installation von Frequenzumrichtern und EMV-Filtern

Bei einer Installation, die der EMV-Richtlinie entspricht, sind folgende Punkte zu beachten:

- Verwenden Sie einen Netzfilter.
- Verwenden Sie abgeschirmte Motorkabel.
- Montieren Sie Frequenzumrichter und Filter auf einer geerdeten, leitenden Platte.
- Entfernen Sie vor dem Montieren der Teile Farbe oder Schmutz, um die niedrigstmögliche Erdungsimpedanz zu erreichen.

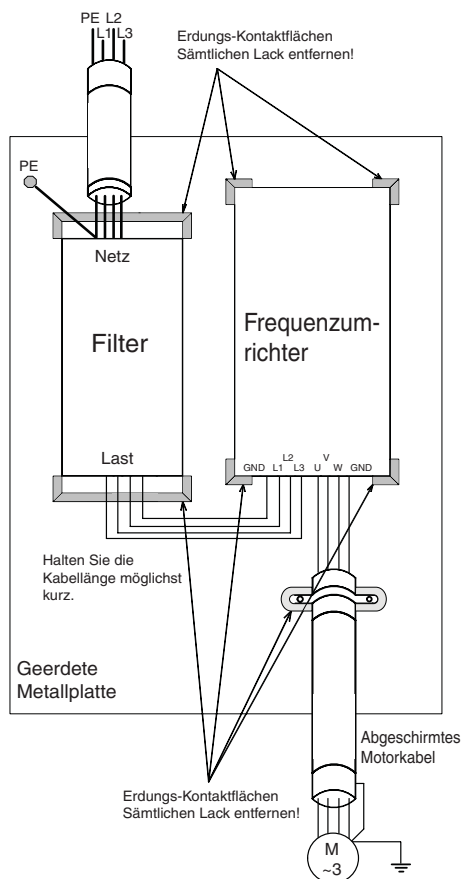


Abb 3 Installation des EMV-Filters



# ◆ Elektrischer Anschluss

## ■ Verdrachten des Frequenzumrichters

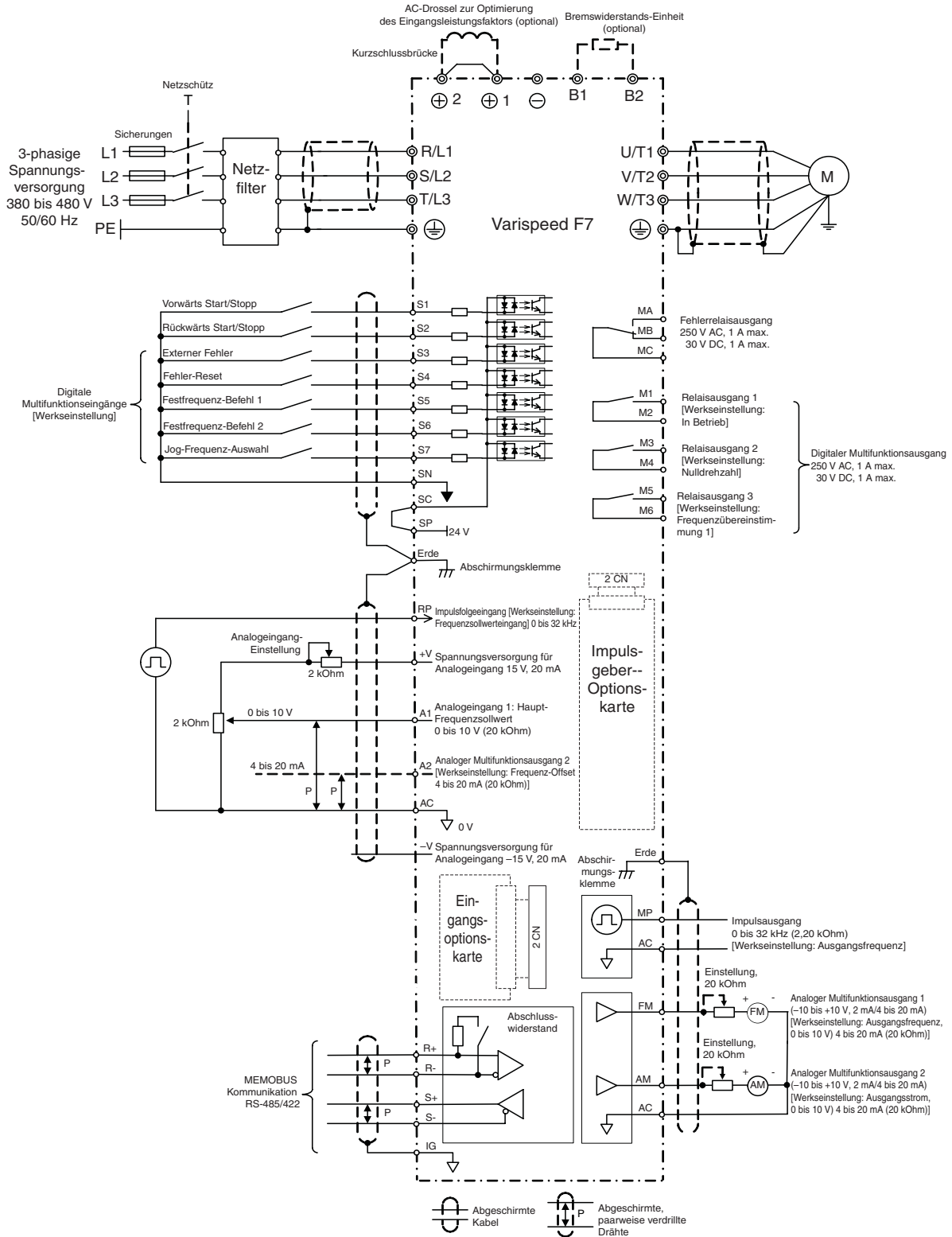


Abb 4 Schaltplan

## ■ Leistungsklemmen

Die Funktionen der Leistungsklemmen werden entsprechend der Klemmensymbole in [Tabelle 1](#) zusammengefasst. Verdrahten Sie die Klemmen ordnungsgemäß für den gewünschten Zweck.

Tabelle 1 Funktionen der Leistungsklemmen (200- und 400-V-Klasse)

Funktion	Klemmensymbol	Modell: CIMR-F7Z□□□□	
		200-V-Klasse	400-V-Klasse
Spannungsversorgung	R/L1, S/L2, T/L3	20P4 bis 2110	40P4 bis 4300
	R1/L11, S1/L21, T1/L31	2022 bis 2110	4022 bis 4300
FrequenzumrichterAusgänge	U/T1, V/T2, W/T3	20P4 bis 2110	40P4 bis 4300
Zwischenkreis-Klemmen	⊕1, ⊖	20P4 bis 2110	40P4 bis 4300
Bremswiderstand-Anschluss	B1, B2	20P4 bis 2018	40P4 bis 4018
DC-Drossel-Anschluss	⊕1, ⊕2	20P4 bis 2018	40P4 bis 4018
Anschluss für Bremsseinheit	⊕3, ⊖	2022 bis 2110	4022 bis 4300
Masse	⊕	20P4 bis 2110	40P4 bis 4300

## ■ Steuerklemmen

[Abb 5](#) Zeigt die Anordnung der Steuerklemmen. Die Funktionen der Steuerklemmen sind in [Tabelle 2](#) aufgeführt. Verwenden Sie alle Klemmen bestimmungsgemäß.

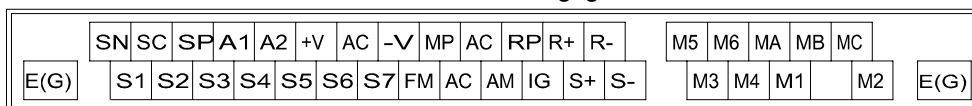


Abb 5 Anordnung der Steuerklemmen

Tabelle 2 Steuerklemmen mit Standardeinstellungen

Typ	Nr.	Signalbezeichnung	Funktion		Spezifikation
Digitale Eingangssignale	S1	Vorwärts-Start/Stop-Befehl	Vorwärts-Start bei EIN, Stopp bei AUS.		24 V DC, 8 mA Optokoppler-Isolation
	S2	Rückwärts-Start/Stop-Befehl	Rückwärts-Start bei EIN, Stopp bei AUS.		
	S3	Externer Fehlereingang <sup>*1</sup>	Fehler bei EIN.	Funktionen werden durch die Einstellungen H1-01 bis H1-05 ausgewählt.	
	S4	Fehlerrücksetzung <sup>*1</sup>	Rücksetzung bei EIN.		
	S5	Festfrequenz-Befehl 1 <sup>*1</sup> (Umschaltung Haupt-/Hilfsfrequenzsollwert)	Hilfsfrequenzsollwert bei EIN.		
	S6	Festfrequenz-Befehl 2 <sup>*1</sup>	Festfrequenz-Befehl 2 bei EIN.		
	S7	Jog-Frequenzsollwert <sup>*1</sup>	Jog-Frequenz bei EIN.		
	SC	Bezugspotenzial Digitaleingänge	-		-
	SN	Digitaleingang Neutral	-		-
	SP	Spannungsversorgung Digitaleingänge	+24 V DC Spannungsversorgung für Digitaleingänge		24 V DC, max. 250 mA <sup>*2</sup>
Analoge Eingangssignale	+V	15-V-Ausgang	15-V-Versorgungsspannung für analoge Sollwerte		15 V (Max. Strom: 20 mA)
	A1	Frequenzsollwert	0 bis +10 V/100 %		-10 bis +10 V (20 kΩ) 0 bis +10 V (20 kΩ)
	A2	Zusatzfrequenzsollwert	Analoger Zusatzfrequenzsollwert; 4 bis 20 mA (250 Ω)	Funktionsauswahl mittels Einstellung von H3-09.	4 bis 20 mA (250 Ω) 0 V bis +10 V (20 kΩ) 0 bis 20 mA (250 Ω)
	-V	-15-V-Ausgang	-15-V-Versorgungsspannung für analoge Sollwerte		
	AC	Bezugspotenzial für analogen Sollwert	-		-
	Erde	Abschirmung, Anschlusspunkt für optionale Erdungsleiter	-		-

Typ	Nr.	Signalbezeichnung	Funktion		Signalspezifikation
Digitale Ausgangssignale	M1	In Betrieb (Schließer)	Geschlossen während Betrieb		Relaiskontakte Kontaktbelastbarkeit: max. 1 A bei 250 V AC max. 1 A bei 30 V DC <sup>*3</sup>
	M2				
	M3	Nulldrehzahl (Schließer)	Geschlossen, wenn die Ausgangsfrequenz bei Nulldrehzahl-Niveau (b2-01) oder niedriger ist		
	M4				
	M5	Frequenzübereinstimmungs-Erkennung (Schließer)	EIN, wenn innerhalb $\pm 2$ Hz der eingestellten Frequenz		
	M6				
	MA	Fehlersignalausgang	Durchgang zwischen MA und MC bei Fehler		
	MB		Kein Durchgang zwischen MB und MC bei Fehler		
	MC				
Analoge Ausgangssignale	FM	Ausgangsfrequenz	Analog-Ausgangsfrequenzsignal; 0 bis 10 V; 10 V=FMAX	Funktionswahl durch H4-01	0 bis +10 V, max. $\pm 5$ % max. 2 mA
	AC	Bezugspotenzial Analogausgang	-		-10 bis +10 V, max. $\pm 5$ % max. 2 mA
	AM	Frequenzumrichter-Ausgangsleistung	Analog-Ausgangsleistungssignal; 0 bis 10 V; 10 V = max. zul. Motorleistung	Funktionswahl durch H4-04	4 bis 20 mA
Impuls-E/A	RP	Impulseingang	H6-01 (Frequenzsollwerteingang) <sup>*4</sup>		0 bis 32 kHz (3 k $\Omega$ ) H-Pegel-Spannung: 3,5 bis 13,2 V
	MP	Impulsausgang	H6-06 (Ausgangsfrequenz)		0 bis 32 kHz +15 V Ausgang (2,2 k $\Omega$ )
RS-485/422	R+	MEMOBUS-Kommunikationseingang	Für Zweidraht-RS-485: R+ und S+ sowie R- und S- kurzschließen		Differenzialeingang, PHC-Isolation
	R-				
	S+	MEMOBUS-Kommunikationsausgang			Differenzialeingang, PHC-Isolation
	S-				
	IG	Signal-Bezugspotential			-

- \*1. Die Standardeinstellungen sind für die Klemmen S3 bis S7 gegeben. Bei einer Dreidraht-Ansteuerung sind die Standardeinstellungen: Dreidraht-Ansteuerung für S5, Festfrequenz-Befehl 1 für S6 und Festfrequenz-Befehl 2 für S7.
- \*2. Verwenden Sie diese Versorgungsspannung nicht zur Versorgung von externen Geräten.
- \*3. Bei Ansteuerung einer Blindlast, wie z. B. einer Relaispule mit DC-Spannungsversorgung, muss stets eine Freilaufdiode geschaltet werden, siehe [Abb 6](#)
- \*4. Die Impulseingangsspezifikationen sind in der folgenden Tabelle angegeben.

L-Pegel-Spannung	0,0 bis 0,8 V
H-Pegel-Spannung	3,5 bis 13,2 V
Tastverhältnis	30 % bis 70 %
Impulsfrequenz	0 bis 32 kHz

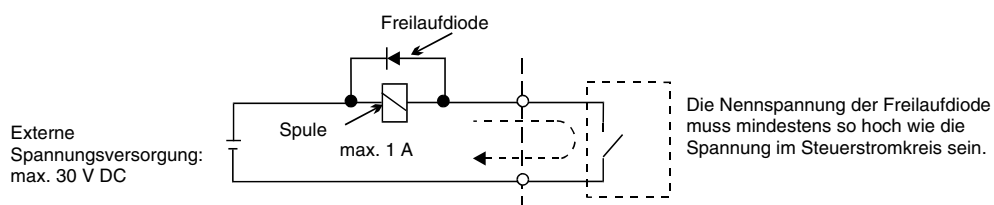


Abb 6 Zwischenschaltung der Freilaufdiode

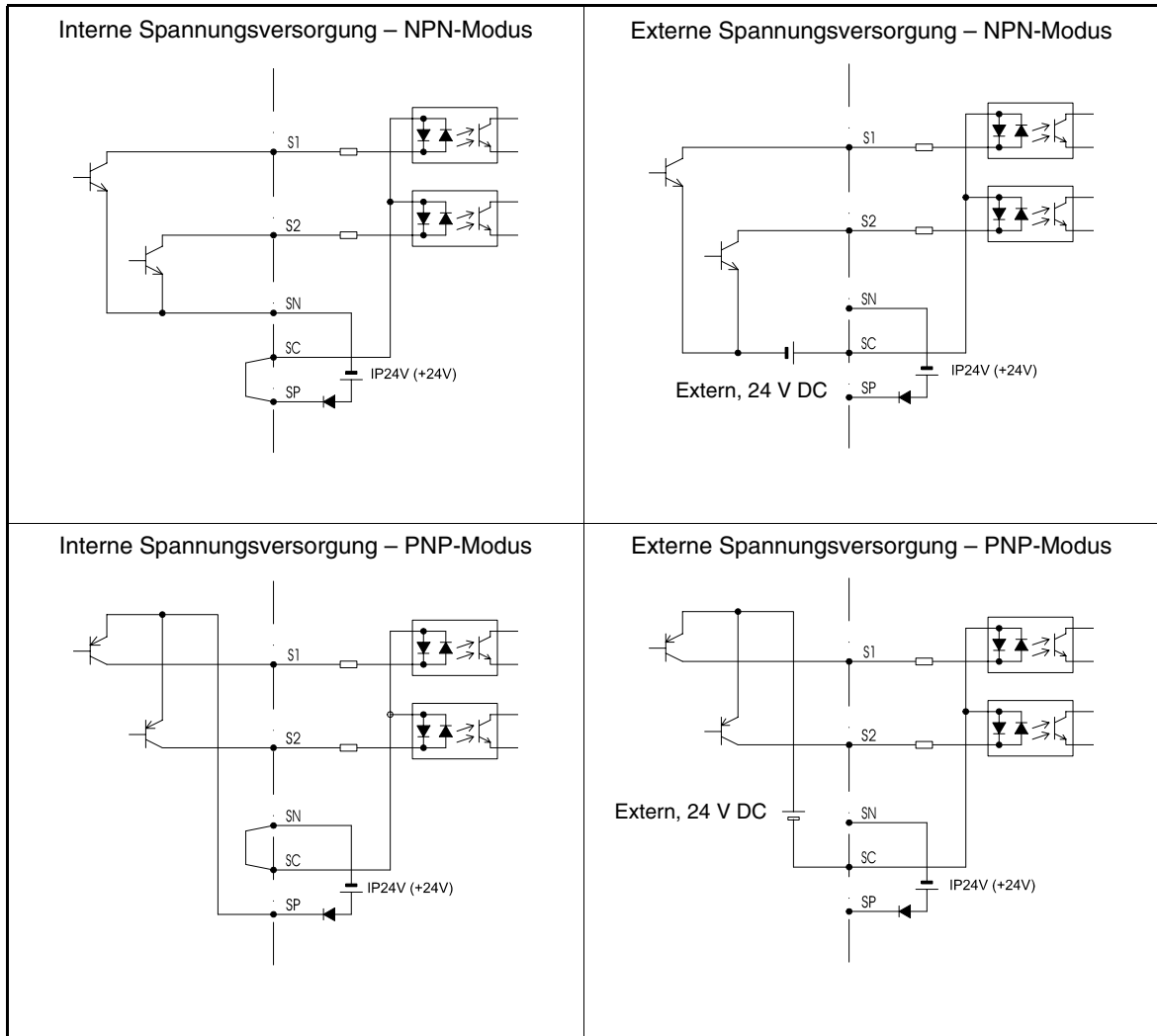


- In [Abb 4](#) ist die Verdrahtung der digitalen Eingänge S1 bis S7 für den Anschluss von Kontakten oder Transistoren gezeigt (0 V Bezugspunkt und NPN-Modus). Dies ist die Standardeinstellung. Für den Anschluss von PNP-Transistoren oder für die Verwendung einer externen 24-V-Spannungsversorgung siehe [Tabelle 3](#).
- Für Frequenzumrichter mit max. 18,5 kW sind DC-Drosseln optional erhältlich. Entfernen Sie beim Anschluss einer DC-Drossel die Kurzschlussbrücke.

## ■ NPN/ PNP-Auswahl

Die Eingangsklemmenlogik kann zwischen NPN-Betriebsart (0 V Bezugspunkt) und PNP-Betriebsart (+24 V Bezugspunkt) durch Setzen des Jumpers CN5 umgeschaltet werden. Eine externe Spannungsversorgung wird ebenfalls unterstützt, wodurch mehr Auswahl bei den Signaleingangsmethoden geboten wird.

Tabelle 3 NPN/ PNP-Modus und Eingangssignale



## ◆ Verdrahtung der Spannungsversorgung

### Installation von Sicherungen

Zum Schutz des Frequenzumrichters wird die Verwendung von Halbleitersicherungen empfohlen, wie sie in der nachstehenden Tabelle aufgeführt sind.

Tabelle 4 Auswahl der Eingangssicherung

Frequenzumrichter- typ	Frequenzum- richter- Nennaus- gangsstrom Strom (A)	Auswahl der Sicherung			Auswahlbeispiel (Ferraz)		
		Spannung (V)	Strom (A)	$I^2t$ (A <sup>2</sup> s)	Produkt- bezeichnung	Nenndaten	$I^2t$ (A <sup>2</sup> s)
20P4	3,2	240	10	12~25	A60Q12-2	600 V/12 A	17
20P7	4,1	240	10	12~25	A60Q12-2	600 V/12 A	17
21P5	7,0	240	15	23~55	A60Q15-2	600 V/15 A	26
22P2	9,6	240	20	34~98	A60Q20-2	600 V/20 A	41
23P7	15	240	30	82~220	A60Q30-2	600 V/30 A	132
25P5	23	240	40	220~610	A50P50-4	500 V/50 A	250
27P5	31	240	60	290~1300	A50P80-4	500 V/80 A	640
2011	45	240	80	450~5000	A50P80-4	500 V/80 A	640
2015	58	240	100	1200~7200	A50P125-4	500 V/125 A	1600
2018	71	240	130	1800~7200	A50P150-4	500 V/150 A	2200
2022	85	240	150	870~16200	A50P150-4	500 V/150 A	2200
2030	115	240	180	1500~23000	A50P200-4	500 V/200 A	4000
2037	145	240	240	2100~19000	A50P250-4	500 V/250 A	6200
2045	180	240	300	2700~55000	A50P300-4	500 V/300 A	9000
2055	215	240	350	4000~55000	A50P350-4	500 V/350 A	12000
2075	283	240	450	7100~64000	A50P450-4	500 V/450 A	20000
2090	346	240	550	11000~64000	A50P600-4	500 V/600 A	36000
2110	415	240	600	13000~83000	A50P600-4	500 V/600 A	36000
40P4	1,8	480	5	6~55	A60Q10-2	600 V/10 A	10
40P7	2,1	480	5	6~55	A60Q10-2	600 V/10 A	10
41P5	3,7	480	10	10~55	A60Q12-2	600 V/12 A	17
42P2	5,3	480	10	18~55	A60Q15-2	600 V/15 A	26
43P7	7,6	480	15	34~72	A60Q20-2	600 V/20 A	41
44P0	8,7	480	20	50~570	A60Q30-2	600 V/30 A	132
45P5	12,5	480	25	100~570	A60Q30-2	600 V/30 A	132
47P5	17	480	30	100~640	A60Q30-2	600 V/30 A	132
4011	24	480	50	150~1300	A70P50-4	700 V/50 A	300
4015	31	480	60	400~1800	A70P70-4	700 V/70 A	590
4018	39	480	70	700~4100	A70P80-4	700 V/80 A	770
4022	45	480	80	240~5800	A70P80-4	700 V/80 A	770
4030	60	480	100	500~5800	A70P100-4	700 V/100 A	1200
4037	75	480	125	750~5800	A70P125-4	700 V/125 A	1900
4045	91	480	150	920~13000	A70P150-4	700 V/150 A	2700
4055	112	480	150	1500~13000	A70P200-4	700 V/200 A	4800
4075	150	480	250	3000~55000	A70P250-4	700 V/250 A	7500
4090	180	480	300	3800~55000	A70P300-4	700 V/300 A	11000
4110	216	480	350	5400~23000	A70P350-4	700 V/350 A	15000
4132	260	480	400	7900~64000	A70P400-4	700 V/400 A	19000
4160	304	480	450	14000~250000	A70P450-4	700 V/450 A	24000
4185	370	480	600	20000~250000	A70P600-4	700 V/600 A	43000
4220	506	480	700	34000~400000	A70P700-4	700 V/700 A	59000
4300	675	480	900	52000~920000	A70P900-4	700 V/900 A	97000

Beachten Sie die folgenden Sicherheitshinweise für die Spannungsversorgungseingänge.

- Bei Anschluss der Netzeingangsklemmen (R/L1, S/L2 und T/L3) an die Spannungsversorgung unter Verwendung eines Kompakt-Schutzschalters ist darauf zu achten, dass der Schutzschalter für den Frequenzumrichter geeignet ist.
- Wenn ein Fehlerstrom-Schutzschalter verwendet wird, sollte er alle vorkommenden Stromarten erkennen können, um eine sichere Fehlerstrom-Erkennung zu gewährleisten.

- Am Eingang des Frequenzumrichters kann ein Schütz oder ein anderes Schaltgerät verwendet werden. Die Spannungsversorgung des Frequenzumrichters sollte höchstens einmal pro Stunde geschaltet werden.
- Die Eingangsphasen (R/S/T) können in jeder beliebigen Reihenfolge angeschlossen werden.
- Wenn der Frequenzumrichter an einen Transformator mit hoher Leistung (600 kW oder mehr) angeschlossen wird oder ein Phasenschieber-Kondensator in der Nähe geschaltet wird, kann es zu einer Spannungserhöhung im Eingangskreis kommen, wodurch der Frequenzumrichter Schaden nehmen kann. Als Gegenmaßnahme muss eine optionale AC-Drossel an der Eingangsseite des Frequenzumrichters oder eine DC-Drossel an die Anschlussklemmen für die DC-Drossel angeschlossen werden.
- Verwenden Sie einen Überspannungsableiter oder eine Diode, wenn induktive Lasten in der Nähe des Frequenzumrichter geschaltet werden. Zu induktiven Lasten gehören Schütze, elektromagnetische Relais, Magnetventile, Magnetspulen und Magnetbremsen.

### ■ Verdrahtung der Ausgangsseite des Leistungskreises

Beachten Sie die folgenden Sicherheitshinweise für die Verdrahtung der Ausgangsseite.

- Schließen Sie die Versorgungsspannung auf keinen Fall an die Ausgangsklemmen des Frequenzumrichters an. Der Frequenzumrichter könnte dadurch beschädigt werden.
- Ausgangsklemmen dürfen niemals kurzgeschlossen oder geerdet werden. Der Frequenzumrichter könnte dadurch beschädigt werden.
- Verwenden Sie keine Phasenschieber-Kondensatoren. Der Frequenzumrichter und die Kondensatoren könnten dadurch beschädigt werden.
- Prüfen Sie die Steuersequenz, um sicherzustellen, dass das Schütz zwischen Frequenzumrichter und Motor während des Betriebs des Frequenzumrichters nicht ein- oder ausgeschaltet wird. Beim Einschalten des Schützes, während der Frequenzumrichter in Betrieb ist, wird ein hoher Einschaltstrom erzeugt werden, wodurch der Überstromschutz des Frequenzumrichters auslösen kann.

### ■ Erdungsanschluss

Beachten Sie die folgenden Sicherheitshinweise für den Erdungsanschluss.

- Verwenden Sie den Erdungsleiter nicht noch für andere Geräte, wie z. B. Schweißgeräte oder Elektrowerkzeuge.
- Verwenden Sie stets einen Erdungsleiter, der den technischen Normen für Elektrogeräte entspricht, und halten Sie die Länge des Erdungsleiters so kurz wie möglich. Der Frequenzumrichter erzeugt einen Leckstrom. Wenn der Abstand zwischen der Erdungselektrode und der Erdungsklemme zu groß ist, wird das Potenzial an der Erdungsklemme des Frequenzumrichters instabil.
- Bei Einsatz von mehr als einem Frequenzumrichter darf der Erdungsleiter keine Schleife bilden.

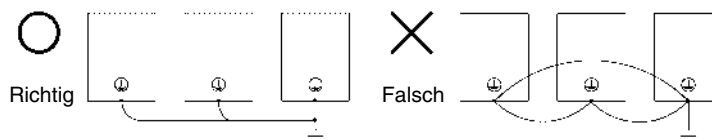


Abb 7 Verdrahtung der Erdung

### ■ Sicherheitshinweise für die Verdrahtung der Steuerstromkreise

Beachten Sie bei der Verdrahtung der Steuerstromkreise die folgenden Sicherheitshinweise.

- Verlegen Sie die Leitungen der Steuerstromkreise getrennt von den Leitungen des Leistungskreises (Klemmen R/L1, S/L2, T/L3, B1, B2, U/T1, V/T2, W/T3, B1, B2, ⊖, ⊕1, ⊕2 und ⊕3, PO, NO) und anderen Hochspannungskabeln.
- Verlegen Sie die Leitungen der Steuerklemmen MA, MB, MC, M1 bis M6 (Relaisausgänge) getrennt von den Leitungen anderer Steuerklemmen.
- Wenn eine optionale externe Spannungsversorgung verwendet wird, muss es sich um eine UL-gelistete Spannungsversorgung der Klasse 2 handeln.
- Verwenden Sie für die Steuerstromkreise paarweise verdrehte oder abgeschirmte Kabel, um Betriebsfehler zu vermeiden.
- Erden Sie die Kabelabschirmung mit der größtmöglichen Kontaktfläche zwischen Abschirmung und Erdung.
- Kabelabschirmungen müssen an beiden Kabelenden geerdet sein.

# Bedienung über die Tastatur

## ◆ Digitale Bedienkonsole (optional)

Die Bezeichnungen der Tasten und die Funktionen der digitalen Bedienkonsole sind unten beschrieben.



Steuerbetriebsartanzeigen

- FWD: Leuchtet bei Eingang eines „Vorwärts“-Startbefehls.
- REV: Leuchtet bei Eingang eines „Rückwärts“-Startbefehls.
- SEQ: Leuchtet, wenn ein andere Quelle als die digitale Bedienkonsole für den Startbefehl gewählt ist.
- REF: Leuchtet, wenn ein andere Quelle als die digitale Bedienkonsole für den Frequenzsollwert gewählt ist.
- ALARM: Leuchtet beim Auftreten einer Fehlfunktion oder eines Alarms.

Datendisplay

Zeigt Überwachungsdaten, Parameternummern und Einstellungen an

*Betriebsartanzeige* (wird in der oberen linken Ecke des Datendisplays angezeigt)

- DRIVE: Leuchtet in der Steuerbetriebsart.
- QUICK: Leuchtet in der Schnellprogrammierbetriebsart.
- ADV: Leuchtet in der erweiterten Programmierbetriebsart.
- VERIFY: Leuchtet in der Überprüfungsbetriebsart.
- A. TUNE: Leuchtet in der Autotuning-Betriebsart.

Tasten

Zur Ausführung von Funktionen wie dem Einstellen von Parametern, Überwachung, Jog-Betrieb und Autotuning.

## ■ Tasten der digitalen Bedienkonsole

Taste	Name	Funktion
	Taste LOCAL/REMOTE	Schaltet zwischen der Bedienung über die digitale Bedienkonsole (LOCAL) und den Einstellungen in b1-01 und b1-02 (REMOTE) um. Diese Taste kann durch Einstellung des Parameters o2-01 aktiviert oder deaktiviert werden.
	Taste MENU	Auswahl der Betriebsarten.
	Taste ESC	Rückkehr zu dem Status, der vor dem Drücken der Taste DATA/ENTER aktiv war.
	Taste JOG	Erlaubt Jog-Betrieb, wenn der Frequenzumrichter über die digitale Bedienkonsole gesteuert wird.
	Taste FWD/REV	Wählt die Drehrichtung des Motors, wenn der Frequenzumrichter über die digitale Bedienkonsole gesteuert wird.
	Taste SHIFT/RESET	Dient zur Auswahl der aktiven Stelle beim Programmieren von Parametern. Fungiert außerdem bei Auftreten eines Fehlers als Rücksetztaste.
	Erhöhen-Taste	Wählt Parameternummern aus und erhöht Parameter-Einstellwerte. Wird zum Wechsel zu der nächsten Funktion oder den nächsten Daten verwendet.
	Verringern-Taste	Wählt Parameternummern aus und verringert Parameter-Einstellwerte. Wird zum Wechsel zu der vorherigen Funktion oder den vorherigen Daten verwendet.
	Taste DATA/ENTER	Wählt Menüs und Parameter aus und validiert Parameter-Einstellwerte.
	RUN-Taste	Startet den Betrieb des Frequenzumrichters, wenn dieser über die digitale Bedienkonsole gesteuert wird (LOCAL-Betriebsart).
	Taste STOP	Stoppt den Betrieb des Frequenzumrichters (LOCAL- und REMOTE-Betriebsart). Diese Taste kann durch Einstellung des Parameters o2-02 aktiviert oder deaktiviert werden, wenn die Steuerung über eine andere Quelle als die digitale Bedienkonsole erfolgt.

# Einschalten und Grundparameter-Einstellungen

## ◆ Inbetriebnahme

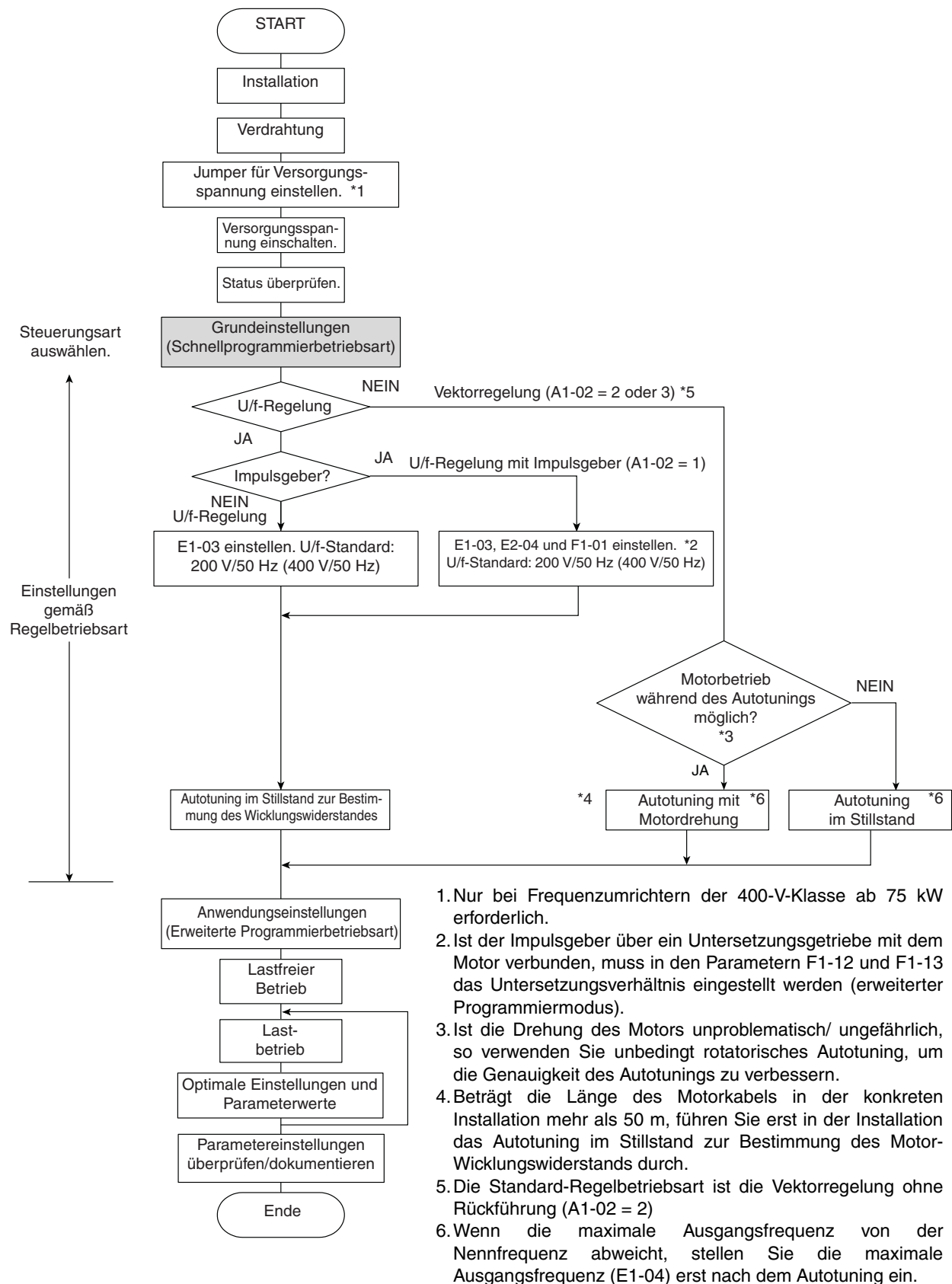


Abb 8 Testbetrieb – Flussdiagramm



---

## ◆ Vor dem Einschalten

Die folgenden Punkte sollten vor dem Einschalten der Spannungsversorgung sorgfältig überprüft werden.

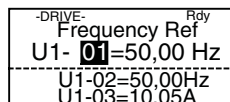
- Kontrollieren Sie, ob die Spannungsversorgung den Spezifikationen des Frequenzumrichters entspricht.
- Kontrollieren Sie, ob die Kabel der Spannungsversorgung fest an die richtigen Klemmen angeschlossen sind (L1, L2, L3).
- Kontrollieren Sie, ob die Motorkabel fest an die richtigen Klemmen auf der Frequenzumrichterseite (U, V, W) und auf der Motorseite angeschlossen sind.
- Kontrollieren Sie, ob die Bremseinheit / der Bremswiderstand richtig angeschlossen ist.
- Kontrollieren Sie den korrekten Anschluss der Ansteuersignale an die Steuerklemmen.
- Setzen Sie alle Steuereingänge des Frequenzumrichters auf AUS.
- Kontrollieren Sie den korrekten Anschluss der Impulsgeber-Drehzahlregelungskarte (sofern vorhanden).

---

## ◆ Anzeige nach dem Einschalten

Nach normalem, problemlosen Einschalten enthält die Anzeige der Bedienkonsole die folgenden Informationen:

Anzeige bei Normalbetrieb

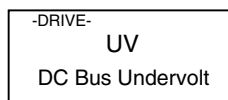


-DRIVE-  
Frequency Ref  
U1- 01=50,00 Hz  
-----  
U1-02=50,00Hz  
U1-03=10,05A

Frequenzsollwertanzeige im Datenanzeigebereich.

Wenn ein Fehler aufgetreten oder ein Alarm aktiviert ist, wird eine Fehler- oder Alarmmeldung angezeigt. In diesem Fall siehe [Seite 21, Fehlerbehebung](#).

Anzeige bei Betriebsstörung



-DRIVE-  
UV  
DC Bus Undervolt

Eine Fehler- oder Alarmmeldung wird angezeigt.  
Im Beispiel wird ein Unterspannungsalarm angezeigt.

---

## ◆ Autotuning

Autotuning dient zur automatischen Einstellung der Motorparameter bei Verwendung einer Vektorregelung mit oder ohne Rückführung, bei langen Kabeln und bei Änderungen der Anlagenkonfiguration.

### ■ Einstellen des Autotuning-Modus

Es stehen drei Autotuning-Modi zu Wahl:

- Rotatorisches Autotuning
- Autotuning im Stillstand
- Bestimmung des Motor-Wicklungswiderstandes

#### Rotatorisches Autotuning (T1-01 = 0)

Rotatorisches Autotuning wird nur bei Vektorregelung mit oder ohne Rückführung verwendet. Setzen Sie T1-01 auf 0, geben Sie die auf dem Typenschild des Motors angegebenen Daten ein, und drücken Sie die RUN-Taste auf der digitalen Bedienkonsole. Der Frequenzumrichter lässt den Motor ca. eine Minute lang laufen und stellt die erforderlichen Motorparameter automatisch ein.

### Autotuning im Stillstand (T1-01 = 1)

Autotuning im Stillstand wird nur bei Vektorregelung mit oder ohne Rückführung verwendet. Setzen Sie T1-01 auf 1, geben Sie die auf dem Typenschild des Motors angegebenen Daten ein, und drücken Sie die RUN-Taste auf der digitalen Bedienkonsole. Der Frequenzumrichter speist den sich nicht drehenden Motor etwa eine Minute lang mit Strom, und bestimmte Motorparameter werden automatisch eingestellt. Die restlichen Motorparameter werden während des ersten Motorlaufs automatisch eingestellt.

### Autotuning im Stillstand zur Bestimmung des Motor-Wicklungswiderstands (T1-01 = 2)

Das Autotuning im Stillstand zur Bestimmung des Motor-Wicklungswiderstands kann in jeder Regelbetriebsart verwendet werden. Bei U/f-Regelung (mit oder ohne Impulsgeber) ist dies der einzige mögliche Autotuning-Modus.

Autotuning kann zu einer Leistungsverbesserung führen, wenn das Motorkabel eine gewisse Länge überschreitet oder die Kabellänge geändert wurde oder wenn die Nennleistungen von Motor und Frequenzumrichter nicht übereinstimmen.

Stellen Sie zur Durchführung des Autotunings bei U/f-Regelung (mit oder ohne Impulsgeber) die Parameter T1-02 (Motornennleistung) und T1-04 (Motornennstrom) ein, und drücken Sie die RUN-Taste auf der digitalen Bedienkonsole. Der Frequenzumrichter speist den sich nicht drehenden Motor etwa 20 Sekunden lang mit Strom, und der Motor-Wicklungswiderstand sowie der Kabelwiderstand werden automatisch gemessen.



WICHTIG

1. Der Motor wird während des Autotunings mit Strom gespeist, dreht aber nicht. Berühren Sie den Motor erst nach Abschluss des Autotunings.
2. Stellen Sie sicher, dass alle Motorschütze geschlossen sind, bevor das Autotuning gestartet wird.
3. Drücken Sie zum Abbrechen des Autotunings die STOP-Taste auf der digitalen Bedienkonsole.

### ■ Weitere Alarmer und Fehler während des Autotunings

Eine Übersicht über mögliche Alarmer oder Fehler beim Autotuning und die entsprechenden Gegenmaßnahmen finden Sie auf [Seite 24, Autotuning-Fehler](#).

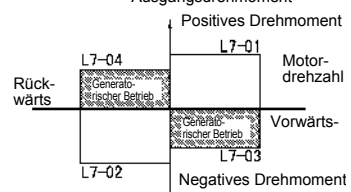
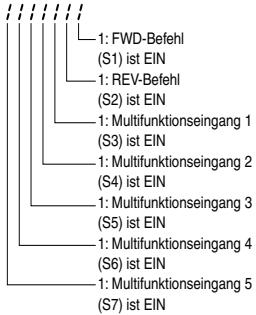
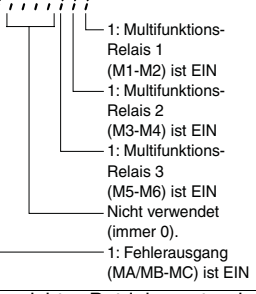
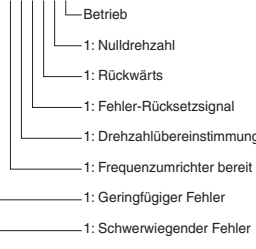
# Anwenderparameter

Parameter-Nr.	Name	Beschreibung
<b>Daten initialisieren</b>		
A1-00	Sprachauswahl für die Anzeige der digitalen Bedienkonsole (nur JVOP-160-OY)	<b>0: Englisch</b> 2: Deutsch 3: Französisch 4: Italienisch 5: Spanisch 6: Portugiesisch
A1-01	Parameterzugriffsebene	<b>0: Nur Anzeige (Anzeige der Betriebsart und Einstellung von A1-01 und A1-04.)</b> 1: Dient zur Auswahl von Anwenderparametern (nur in A2-01 bis A2-32 eingestellte Parameter können gelesen und eingestellt werden). 2: Erweitert (Parameter der Schnellprogrammbetriebsart (Q) und der erweiterten Programmierbetriebsart (A) können gelesen und eingestellt werden).
A1-02	Auswahl der Steuerungsart	<b>0: U/f-Regelung</b> 1: U/f-Regelung mit Impulsgeber 2: Vektorregelung ohne Rückführung 3: Vektorregelung mit Rückführung
A1-03	Initialisierung	0: Keine Initialisierung 1110: Initialisierung mittels der Anwenderparameter 2220: Initialisierung auf 2-Draht-Ansteuerung. (Initialisierung auf Werkseinstellungen) 3330: Initialisierung auf 3-Draht-Ansteuerung.
<b>Sequenz/Sollwertquelle</b>		
b1-01	Auswahl der Sollwertquelle	Legt die Quelle für den Frequenzsollwert fest. <b>0: Digitale Bedienkonsole</b> 1: Steuerklemme (Analogeingang) 2: Serielle Kommunikation (RS422 / 485) 3: Optionskarte
b1-02	Auswahl der START-Befehlsquelle	Legt die Quelle für den START-Befehl fest. <b>0: Digitale Bedienkonsole</b> 1: Steuerklemme (Digitaleingänge) 2: Serielle Kommunikation (RS422/485) 3: Optionskarte
b1-03	Auswahl der Stoppmethode	Legt die Stoppmethode beim Aufheben des Startbefehls fest. <b>0: Verzögerung bis zum Stillstand</b> 1: Auslaufen bis zum Stillstand 2: DC-Bremse bis zum Stillstand 3: Auslaufen bis zum Stillstand mit Wiederanlaufverzögerung (neue Startbefehle während der Verzögerungszeit werden ignoriert.)
b1-04	Sperre des Rückwärtslaufs	<b>0: Rückwärtslauf zulässig</b> 1: Rückwärtslauf gesperrt 2: Ausgangsphasendrehung (beide Drehrichtungen sind zulässig) 3: Ausgangsphasendrehung mit gesperrtem Rückwärtslauf.
<b>Einstellungen für Beschleunigung/Verzögerung</b>		
C1- <input type="checkbox"/>	Beschleunigungs-/Verzögerungszeiten	Legt die Zeit für die Beschleunigung/Verzögerung von 0 Hz bis zur maximalen Ausgangsfrequenz fest.
<b>S-Kurven-Einstellungen</b>		
C2- <input type="checkbox"/>	S-Kurven-Zeit bei Beschleunigung	S-Kurven-Zeit bei Beschleunigungsbeginn und -ende.

Parameter-Nr.	Name	Beschreibung
<b>Motorschleupfkompensation (nicht verfügbar in U/f mit Impulsgeber)</b>		
C3-01	Schlupfkompensationsverstärkung	Dient zur Verbesserung der Drehzahlgenauigkeit • Erhöhen, wenn die Motordrehzahl zu klein ist. • Verringern, wenn die Motordrehzahl zu groß ist.
C3-02	Schlupfkompensations-Verzögerungszeit (nicht verfügbar in U/f und OLV)	Einstellung der Schlupfkompensations-Verzögerungszeit • Erhöhen, wenn die Motordrehzahl nicht stabil ist • Verringern Sie die Einstellung, wenn die Schlupfkompensation schlecht anspricht.
<b>Drehzahlregelung (ASR) (nicht verfügbar in U/f mit Impulsgeber und CLV)</b>		
C5-01	ASR-Proportionalverstärkung 1	Einstellung der Proportionalverstärkung für den Drehzahlregelkreis (ASR)
C5-02	ASR-Integrationszeit 1	Einstellung der Integrationszeit für den Drehzahlregelkreis (ASR)
C5-03	ASR-Proportionalverstärkung 2	
C5-04	ASR-Integrationszeit 2	
C5-06	ASR-Verzögerungszeit (nur CLV)	Einstellung der ASR-Filterzeitkonstante.
C5-07	ASR-Schaltfrequenz (nur CLV)	Einstellung der Frequenz für die Umschaltung zwischen ASR-Verstärkung 1, 2 und ASR-Integralzeit 1, 2.
C5-08	ASR-Integrationsgrenze (nur CLV)	Einstellung des Grenzwertes für den Integral-Teil des ASR-Reglers.
<b>Taktfrequenz</b>		
C6-01	Auswahl normale/ starke Beanspruchung	<b>0: Starke Beanspruchung</b> 1: Normale Beanspruchung 1 2: Normale Beanspruchung 2
C6-02	Taktfrequenz-auswahl	Wählt die Taktfrequenz aus. (Die Werkseinstellung hängt von der Leistung des Frequenzumrichters ab.) <b>0: Geringe Geräusche, niedrige Taktfrequenz</b> 1: 2,0 kHz 2: 5,0 kHz 3: 8,0 kHz 4: 10,0 kHz 5: 12,5 kHz 6: 15,0 kHz F: Programmierbarer Verlauf
<b>Drehzahleinstellungen</b>		
d1-01 bis d1-16	Festdrehzahlsollwert 1 bis 16	Stellt die Festdrehzahlsollwerte ein.
d1-17	Jog-Frequenzsollwert	
<b>Drehmomentregelung (nur verfügbar in CLV)</b>		
d5-01	Auswahl der Drehmomentregelung	<b>0: Drehzahlregelung</b> 1: Drehmomentregelung
d5-06	Zeitfunktion für die Umschaltung zwischen Drehzahl-/ Drehmomentregelung	Verzögerungszeit zwischen der Eingabe des Befehls „Umschaltung Drehzahl-/ Drehmomentregelung“ (Wechsel des Signals am Multifunktions-Digitaleingang von EIN nach AUS oder umgekehrt) bis zur tatsächlichen Umschaltung.

Parameter-Nr.	Name	Beschreibung
<b>Einstellung der U/f-Kennlinie</b>		
E1-01	Einstellung der Eingangsspannung	Diese Einstellung dient als Referenzwert für die Schutzfunktionen.
E1-04	Maximale Ausgangsfrequenz (FMAX)	<p>Ausgangsspannung (V)</p> <p>Frequenz (Hz)</p>
E1-05	Max. Ausgangsspannung (VMAX)	
E1-06	Nennfrequenz (FA)	
E1-13	Nennspannung (VBASE)	
<p>Zur Einstellung der U/f-Charakteristik mit linearer Kennlinie stellen Sie für E1-07 und E1-09 dieselben Werte ein. In diesem Fall wird die Einstellung für E1-08 übergangen. Stellen Sie sicher, dass die vier Frequenzen in der folgende Reihenfolge eingestellt werden: E1-04 (FMAX) ≥ E1-06 (FA) &gt; E1-07 (FB) ≥ E1-09 (FMIN)</p>		
<b>Motordateneinstellungen</b>		
E2-01	Motornennstrom	Einstellung der Motordaten
E2-02	Motornennschlupf	
E2-03	Motorleerlaufstrom	
E2-04	Anzahl der Motorpole	
E2-09	Reibungsverluste im Motor	
E2-11	Motor-Nennausgangsleistung	
<b>Impulsgeber-Optionskonfiguration</b>		
F1-01	Impulsgeberauflösung	Einstellung der Anzahl von Geberimpulsen pro Umdrehung.
F1-05	Impulsgeber-Drehrichtung	<p>0: Phase A läuft bei Vorwärts-Startbefehl voraus.</p> <p>1: Phase B läuft bei Vorwärts-Startbefehl voraus.</p>
<b>Digitale E/A-Einstellungen</b>		
H1-01 bis H1-05	Funktionsauswahl für Klemmen S3 bis S7	Eine Übersicht über die verschiedenen Auswahlmöglichkeiten finden Sie im Kapitel <a href="#">Seite 20, Funktionsauswahl für Digitaleingänge (H1-01 bis H1-05).</a>
H2-01 und H2-02	Funktionsauswahl für Klemmen M1-M2 und M3-M4	Eine Übersicht über die verschiedenen Auswahlmöglichkeiten finden Sie im Kapitel <a href="#">Seite 20, Funktionsauswahl für Digitalausgänge (H2-01 und H2-02).</a>
<b>Analoge E/A-Einstellungen</b>		
H3-08	Einstellung des Signalpegels für Multifunktions-Analogeingang A2	<p>Auswahl des Signalpegels für Multifunktions-Analogeingang A2.</p> <p>0: 0 bis +10 V (11 Bit).</p> <p>1: -10 bis +10 V</p> <p>2: 4 bis 20 mA (9 Bit)</p> <p>Schalten Sie S1-2 auf „V“, bevor Sie einen Spannungseingang verwenden.</p>
H3-09	Funktionsauswahl für Analogeingang A2.	Auswahl der Funktion für Multifunktions-Analogeingang A2.
H3-13	Umschaltung Klemme A1/A2	<p>Wählt aus, an welcher Klemme der Hauptfrequenzsollwert eingegeben werden kann.</p> <p>0: Analogeingang 1 an Klemme A1 für den Hauptfrequenzsollwert verwenden.</p> <p>1: Analogeingang 2 an Klemme A2 für den Hauptfrequenzsollwert verwenden.</p>

Parameter-Nr.	Name	Beschreibung
H4-01	Auswahl der Überwachung an Klemme FM	Einstellung der Nummer des Überwachungspunktes (U1-□□), der über Klemme FM/AM ausgegeben werden soll.
H4-04	Auswahl des Überwachungspunktes an Klemme AM	
<b>Impulsfolge-E/A</b>		
H6-01	Funktionsauswahl für Impulseingang	<p>Auswahl der Funktion des Impulseingangs.</p> <p>0: <b>Frequenzsollwert</b></p> <p>1: PID-Istwert</p> <p>2: PID-Zielwert</p>
H6-02	Skalierung für Impulseingang	Einstellung der Impulsfrequenz in Hz, die 100 % der in H6-01 eingestellten Funktion entspricht.
H6-06	Impulsausgangsauswahl	Wahl des über den Impulsausgang ausgegebenen Werts (U1-□□)
H6-07	Skalierung des Impulsausgangs	Einstellung der Impulsfrequenz in Hz, wenn die ausgegebene Größe 100 % beträgt.
<b>Blockierschutz</b>		
L3-01	Auswahl für Blockierschutz bei Beschleunigung (nicht verfügbar in CLV)	<p>0: <b>Deaktiviert (Beschleunigung wie eingestellt. Unter einer schweren Last kann der Motor blockieren).</b></p> <p>1: Aktiviert (Beschleunigung wird bei Überschreiten des in L3-02 eingestellten Stroms gestoppt. Die Beschleunigung wird fortgesetzt, wenn der Strom unter den Blockierschutzgrenzwert gefallen ist).</p> <p>2: Intelligenter Beschleunigungsmodus (Beschleunigung wird unter Verwendung des in L3-02 eingestellten Werts als Basis automatisch geregelt. Die eingestellte Verzögerungszeit wird ignoriert.)</p>
L3-04	Auswahl für Blockierschutz bei Verzögerung	<p>0: <b>Deaktiviert (Verzögerung wie eingestellt. Bei zu kurzer Verzögerungszeit kann es zum Auftreten einer Zwischenkreis-Überspannung kommen.)</b></p> <p>1: Aktiviert (Verzögerung wird gestoppt, wenn die Zwischenkreisspannung den Blockierschutzgrenzwert überschreitet. Sobald die Zwischenkreisspannung wieder unter den Blockierschutzgrenzwert gefallen ist, setzt die Verzögerung wieder ein.)</p> <p>2: Intelligenter Verzögerungsmodus (die Verzögerungsrate wird automatisch so eingestellt, dass die Verzögerung in kürzestmöglicher Zeit erfolgt. Die eingestellte Verzögerungszeit wird ignoriert.)</p> <p>3: Aktiviert mit Bremswiderstand</p>
<b>Neustart bei Fehler</b>		
L5-01	Anzahl automatischer Neustartversuche	<p>Legt die Anzahl automatischer Neustartversuche fest.</p> <p>Bei einem Neustart nach einem Fehler wird automatisch eine Drehzahlbestimmung mit Start bei der letzten Ausgangsfrequenz durchgeführt.</p>
L5-02	Auswahl des automatischen Neustarts	<p>Legt fest, ob während eines Fehler-Neustarts ein Fehlerrelais aktiviert wird.</p> <p>0: <b>Kein Ausgang (Fehlerrelais wird nicht aktiviert.)</b></p> <p>1: Ausgang (Fehlerrelais wird aktiviert.)</p>

Parameter-Nr.	Name	Beschreibung
<b>Drehmomentgrenzwert (nur OLV und CLV)</b>		
L7-01	Drehmomentgrenzwert vorwärts motorisch	Einstellung des Drehmomentgrenzwerts als Prozentsatz des Motor-Nenn Drehmoments. Es können vier einzelne Bereiche eingestellt werden. 
L7-02	Drehmomentgrenzwert rückwärts motorisch	
L7-03	Drehmomentgrenzwert vorwärts generatorisch	
L7-04	Drehmomentgrenzwert rückwärts generatorisch	
<b>Überwachungsdaten</b>		
U1-01	Frequenzsollwert in Hz/U/min	
U1-02	Ausgangsfrequenz in Hz/U/min	
U1-03	Ausgangsstrom in A	
U1-06	Ausgangsspannung in V AC	
U1-07	Zwischenkreisspannung in V DC	
U1-08	Ausgangsleistung in kW	
U1-09	Drehmomentsollwert	
U1-10	Eingangsklemmenstatus	Zeigt den EIN/AUS-Status der Eingänge an. U1-10 = 
U1-11	Ausgangsklemmenstatus	Zeigt den EIN/AUS-Status der Ausgänge an. U1-11 = 
U1-12	Betriebsstatus	Frequenzumrichter-Betriebszustand. U1-12 = 
U1-13	Kumulative Betriebszeit in Std.	
U1-21	ASR-Eingang	
U1-22	ASR output	
U1-34	OPE-Fehlerparameter	
U1-40	Kühllüfter-Betriebszeit in Std.	

Parameter-Nr.	Name	Beschreibung
<b>Fehlerverfolgungsdaten</b>		
U2-01	Aktueller Fehler	
U2-02	Letzter Fehler	
U2-03	Frequenzsollwert bei Fehler	
U2-04	Ausgangsfrequenz bei Fehler	
U2-05	Ausgangsstrom bei Fehler	
U2-07	Ausgangsspannungs-Sollwert bei Fehler	
U2-08	Zwischenkreisspannung bei Fehler	
U2-09	Ausgangsleistung bei Fehler	
U2-11	Eingangsklemmenstatus bei Fehler	
U2-12	Ausgangsklemmenstatus bei Fehler	
U2-13	Betriebsstatus bei Fehler	
U2-14	Kumulative Betriebszeit bei Fehler	
<b>Fehlerspeicher-Daten</b>		
U3-01 bis U3-04	Letzter bis viertletzter Fehler	
U3-05 bis U3-08	Kumulative Betriebszeit bei Fehler 1 bis 4	
U3-09 bis U3-14	Fünftletzter bis zehntletzter Fehler	
U3-15 bis U3-20	Kumulative Betriebszeit beim fünft- bis zehntletzten Fehler	
* Folgende Fehler werden nicht im Fehlerprotokoll aufgezeichnet: CPF00, 01, 02, 03, UV1 und UV2.		
<b>Funktionsauswahl für Digitaleingänge (H1-01 bis H1-05)</b>		
3	Festfrequenz-Sollwert 1	
4	Festfrequenz-Sollwert 2	
5	Festfrequenz-Sollwert 3	
6	Jog-Frequenzsollwert (höhere Priorität als Festfrequenz-Sollwert)	
7	Auswahl Beschleunigungs-/ Verzögerungszeit 1	
F	Nicht verwendet (Einstellung für nicht verwendete Klemmen)	
14	Fehlerrücksetzung (Rücksetzung bei Wechsel auf EIN)	
19	PI-Regelung deaktivieren	
20 bis 2F	Externer Fehler; Eingangsart: Schließer-Kontakt/ Öffner-Kontakt, Erkennungsbetriebsart: Normal/ während des Betriebs	
71	Umschaltung zwischen Drehzahl- und Drehmomentregelung (EIN: Drehmomentregelung)	
77	Umschaltung der ASR-Verstärkung (EIN: C5-03)	
<b>Funktionsauswahl für Digitalausgänge (H2-01 und H2-02)</b>		
0	Während Betrieb 1 (EIN: START-Befehl auf EIN oder Spannung wird ausgegeben)	
6	Frequenzumrichter betriebsbereit (BEREIT: Initialisierung abgeschlossen oder keine Fehler)	
F	Nicht verwendet (Einstellung für nicht verwendete Klemmen)	
10	Geringfügiger Fehler (Alarm) (EIN: Alarm wird angezeigt)	
1A	Rückwärtsbetrieb (EIN: Während Rückwärtsbetrieb)	
1F	Motorüberlast-Vorwarnung (OL1, einschließlich OH3) (EIN bei min. 90 % des Erkennungspegels)	
30	Drehmomentbegrenzung (Stromgrenze) (EIN: Drehmomentgrenze erreicht)	
32	Aktiviert, wenn ASR für den Drehmomentgrenzwert verwendet wird. Der ASR-Ausgang fungiert als Drehmomentsollwert, und der Motor läuft mit dem Drehzahlgrenzwert.	

# Fehlerbehebung

## ◆ Allgemeine Fehler und Alarme

Fehler und Alarme weisen auf ungewöhnliche Bedingungen des Frequenzumrichters/der Anwendung hin.

Bei einem Alarm wird der Frequenzumrichter nicht unbedingt abgeschaltet, aber es wird eine Meldung auf dem Tastenfeld angezeigt (d. h. ein blinkender Alarmcode), und es kann eine Alarmausgabe an den Multifunktionsausgängen (H2-01 und H2-02) generiert werden, wenn dies programmiert ist. Ein Alarm wird automatisch gelöscht, wenn der Alarmzustand nicht mehr besteht.

Bei einem Fehler wird der Frequenzumrichter sofort abgeschaltet, eine Meldung auf dem Tastenfeld angezeigt und der Fehlerausgang geschaltet. Der Fehler muss manuell zurückgesetzt werden, nachdem die Fehlerursache beseitigt ist und das START-Signal aufgehoben wurde.

In den nachfolgenden Tabellen sind Fehler und Alarme mit den entsprechenden Abhilfemaßnahmen aufgeführt.

Anzeige	Alarm	Fehler	Bedeutung	Abhilfemaßnahmen
BUS Option Com Err	○		Optionskarten-Kommunikationsalarm Nachdem die Kommunikation erstmals zustande gekommen ist, wurde die Verbindung unterbrochen.	Überprüfen Sie die Anschlüsse und alle durch den Anwender vorgenommenen Software-Konfigurationen.
CF Out of Control		○	Regelungsfehler Bei Vektorregelung ohne Rückführung wurde kontinuierlich für die Dauer von mindestens drei Sekunden ein Drehmomentgrenzwert während eines Verzögerungsstopps erreicht.	Überprüfen Sie die Motorparameter.
CPF00 COM- ERR(OP&INV)		○	Kommunikationsfehler 1/2 der digitalen Bedienkonsole • Kommunikationsfehler zwischen Bedienkonsole und Frequenzumrichter • Externer RAM-Fehler der CPU	<ul style="list-style-type: none"> <li>Trennen Sie die digitale Bedienkonsole, und schließen Sie sie erneut an.</li> <li>Schalten Sie den Frequenzumrichter aus und anschließend wieder ein.</li> <li>Tauschen Sie den Frequenzumrichter aus.</li> </ul>
CPF01 COM- ERR(OP&INV)				
CPF02 BB Circuit Err		○	CPF02-Fehler Fehler bei der Endstufensperrschaltung	<ul style="list-style-type: none"> <li>Führen Sie eine Initialisierung auf die werkseitigen Einstellungen durch.</li> <li>Schalten Sie den Frequenzumrichter aus und anschließend wieder ein.</li> <li>Tauschen Sie den Frequenzumrichter aus.</li> </ul>
CPF03 EEPROM Error		○	CPF03 EEPROM-Fehler	
CPF04 Internal A/D Err		○	CPF04 Fehler am internen A/D-Wandler der CPU	
DEV Speed Deviation		○	F1-04 = 0, 1 oder 2 und A1-02 = 1 oder 3 Die Drehzahlabweichung war für einen längeren als den in F1-11 festgelegten Zeitraum höher als die Einstellung in F1-10.	<ul style="list-style-type: none"> <li>Vermindern Sie die Last.</li> <li>Verlängern Sie die Beschleunigungs- und Verzögerungszeit.</li> <li>Überprüfen Sie das mechanische System.</li> <li>Überprüfen Sie die Einstellungen in F1-10 und F1-11.</li> <li>Überprüfen Sie die Sequenz und kontrollieren Sie, ob die Bremse gelöst ist, wenn der Frequenzumrichter anfängt, die Drehzahl zu erhöhen.</li> </ul>
	○		F1-04 = 3 und A1-02 = 1 oder 3 Die Drehzahlabweichung war für einen längeren als den in F1-11 festgelegten Zeitraum höher als die Einstellung in F1-10.	
EF External Fault	○		Gleichzeitige Eingabe von Vorwärts-/Rückwärtsbefehl Sowohl der Vorwärts- als auch der Rückwärtsbefehl werden für 500 ms oder länger gleichzeitig eingegeben. Der Motor wird durch diesen Alarm gestoppt.	Überprüfen Sie die Logik der externen Sequenz, sodass jeweils nur ein Eingang aktiviert ist.
EF0 Opt External Flt		○	Externes Fehlersignal von der Kommunikations-Optionskarte	<ul style="list-style-type: none"> <li>Überprüfen Sie, ob ein extern bedingter Fehlerzustand vorliegt.</li> <li>Überprüfen Sie die Parameter.</li> <li>Überprüfen Sie die Kommunikationssignale.</li> </ul>
EFx Ext Fault Sx	○	○	Externer Fehler an Klemme Sx (x steht für die Klemmen S3 bis S7)	Beseitigen Sie die Ursache des extern bedingten Fehlers.
Ext Run Active Cannot Reset	○		Wird erkannt, wenn ein RESET-Befehl bei noch aktivem START-Befehl eingegeben wird.	Heben Sie zuerst das START-Signal auf, und setzen Sie den Fehler dann zurück.
GF Ground Fault		○	Erdschlussfehler Der Erdschlussstrom am Frequenzumrichter-Ausgang überschreitet 50 % des Frequenzumrichter-Nennausgangsstroms und L8-09 = 1 (Erdschlussfehlerschutz aktiviert).	<ul style="list-style-type: none"> <li>Klemmen Sie den Motor ab, und betreiben Sie den Frequenzumrichter ohne Motor.</li> <li>Prüfen Sie den Motor auf eine Phase mit Erdschluss.</li> <li>Prüfen Sie den Ausgangsstrom mit einem Stromprüfer, um die DCCT-Werte zu kontrollieren.</li> <li>Überprüfen Sie die Steuersequenz auf falsche Motorschutz-Signale.</li> </ul>

Anzeige	Alarm	Fehler	Bedeutung	Abhilfemaßnahmen
OC Over Current		○	Überstrom Der Ausgangsstrom des Frequenzumrichters hat den Überstrom-Erkennungspegel überschritten.	<ul style="list-style-type: none"> <li>• Klemmen Sie den Motor ab, und betreiben Sie den Frequenzumrichter ohne Motor.</li> <li>• Prüfen Sie den Motor auf einen Kurzschluss zwischen den Phasen.</li> <li>• Überprüfen Sie die Beschleunigungs-/ Verzögerungszeiten (C1-□□).</li> <li>• Prüfen Sie den Ausgang des Frequenzumrichters auf einen Kurzschluss zwischen den Phasen.</li> </ul>
OH Heatsnk Overtemp		○	Überhitzung des Kühlkörpers L8-03 = 0, 1 oder 2, und die Temperatur des Frequenzumrichter-Kühlkörpers hat den Einstellwert in L8-02 überschritten. Der Kühllüfter des Frequenzumrichters funktioniert nicht mehr.	<ul style="list-style-type: none"> <li>• Überprüfen Sie die Lüfter bzw. Kühlkörper auf Schmutzansammlungen.</li> <li>• Reduzieren Sie die Umgebungstemperatur für den Frequenzumrichter.</li> <li>• Tauschen Sie den/ die Kühllüfter aus.</li> </ul>
		○	L8-03 = 3 oder 4, und die Temperatur des Frequenzumrichter-Kühlkörpers hat den Einstellwert in L8-02 überschritten.	
OH1 Heatsink Max Temp		○	Überhitzung des Kühlkörpers Die Temperatur des Frequenzumrichter-Kühlkörpers hat 105 C überschritten. Der Kühllüfter des Frequenzumrichters funktioniert nicht mehr.	<ul style="list-style-type: none"> <li>• Überprüfen Sie die Lüfter bzw. Kühlkörper auf Schmutzansammlungen.</li> <li>• Reduzieren Sie die Umgebungstemperatur für den Frequenzumrichter.</li> <li>• Tauschen Sie den/ die Kühllüfter aus.</li> </ul>
OL1 Motor Overload		○	Motorüberlast Wird erkannt, wenn L1-01 auf 1, 2 oder 3 gesetzt ist und der letzte Wert des Frequenzumrichters die Motorüberlastkurve überschritten hat. Die Überlastkurve kann über die Parameter E2-01 (Motornennstrom), L1-01 (Auswahl der Motorschutzfunktion) und L2-02 (Motorschutz-Zeitkonstante) eingestellt werden.	<ul style="list-style-type: none"> <li>• Überprüfen Sie die Zykluszeit und die Größe der Last ebenso wie die Beschleunigungs-/ Verzögerungszeiten (C1-□□).</li> <li>• Überprüfen Sie die U/f-Kennlinie (E1-□□).</li> <li>• Überprüfen Sie die Einstellung des Motornennstroms (E2-01).</li> </ul>
OL2 Inv Overload		○	Frequenzumrichter-Überlastung Der Ausgangsstrom des Frequenzumrichters hat die Überlastbarkeitsgrenze überschritten.	<ul style="list-style-type: none"> <li>• Überprüfen Sie die Zykluszeit und die Größe der Last ebenso wie die Beschleunigungs-/ Verzögerungszeiten (C1-□□).</li> <li>• Überprüfen Sie die U/f-Kennlinie (E1-□□).</li> <li>• Überprüfen Sie, ob der Frequenzumrichter-Nennstrom mit dem Motornennstrom übereinstimmt.</li> </ul>
OS Overspeed Det		○	F1-03 = 0, 1 oder 2 und A1-02 = 1 oder 3 Die Motordrehzahlrückführung (U1-05) hat für einen längeren als den in F1-09 festgelegten Zeitraum die Einstellung in F1-08 überschritten.	<ul style="list-style-type: none"> <li>• Passen Sie die ASR-Einstellungen in der Parametergruppe C5 an.</li> <li>• Überprüfen Sie die Sollwertschaltung und die Sollwertverstärkung.</li> <li>• Überprüfen Sie die Einstellungen in F1-08 und F1-09.</li> </ul>
		○	F1-03 = 3 und A1-02 = 1 oder 3 Die Motordrehzahlrückführung (U1-05) hat für einen längeren als den in F1-09 festgelegten Zeitraum die Einstellung in F1-08 überschritten.	
OV DC Bus Overvolt	○ (nur bei Stop- bedingung)	○	Die Zwischenkreisspannung hat den Überspannungs-Erkennungspegel überschritten. Standard-Erkennungsspannungen sind: 200-V-Klasse: 410 V DC 400-V-Klasse: 820 V DC	<ul style="list-style-type: none"> <li>• Verlängern Sie die Verzögerungszeit (C1-02/04), oder schließen Sie eine Bremsoption an.</li> <li>• Prüfen Sie die Versorgungsspannung, und verringern Sie die Spannung, damit sie den Spezifikationen des Frequenzumrichters entspricht.</li> <li>• Überprüfen Sie den Bremstransistor/-widerstand.</li> </ul>
PF Input Phase Loss		○	Eingangsphasenausfall Zu große Welligkeit bei der Zwischenkreisspannung. Wird nur erkannt, wenn L8-05 = 1 (aktiviert)	<ul style="list-style-type: none"> <li>• Ziehen Sie die Schrauben der Eingangsklemmen fest.</li> <li>• Überprüfen Sie die Versorgungsspannung.</li> </ul>
PGO PG Open		○	Ausfall des Impulsgeber-Signals Wird erkannt, wenn F1-02 = 0, 1 oder 2 und A1-02 = 1 oder 3. Wird erkannt, wenn für einen längeren als in der Einstellung F1-14 festgelegten Zeitraum keine Impulse vom Impulsgeber (Encoder) empfangen wurden.	<ul style="list-style-type: none"> <li>• Reparieren Sie die gebrochene/ unterbrochene Verdrahtung.</li> <li>• Sorgen Sie für eine ordnungsgemäße Spannungsversorgung des Impulsgebers.</li> <li>• Überprüfen Sie die Sequenz und kontrollieren Sie, ob die Bremse gelöst ist, wenn der Frequenzumrichter anfängt, die Drehzahl zu erhöhen.</li> </ul>
		○	Ausfall des Impulsgeber-Signals Wird erkannt, wenn F1-02 = 3 und A1-02 = 1 oder 3. Für einen längeren als in der Einstellung F1-14 festgelegten Zeitraum wurden keine Impulse vom Impulsgeber (Encoder) empfangen.	

Anzeige	Alarm	Fehler	Bedeutung	Abhilfemaßnahmen
PUF DC Bus Fuse Open		○	Zwischenkreissicherung durchgebrannt Die Sicherung im Zwischenkreis ist durchgebrannt. Vorsicht: Für einen längeren als in der Einstellung F1-14 festgelegten Zeitraum wurden keine Impulse vom Impulsgeber (Encoder) empfangen.	<ul style="list-style-type: none"> <li>• Prüfen Sie den Motor und die Motorkabel auf Kurzschlüsse oder Beschädigungen der Isolierung (zwischen den Phasen).</li> <li>• Ersetzen Sie den Frequenzumrichter.</li> </ul>
RR DynBrk Transistr		○	Transistor für generatorisches Bremsen Der interne Transistor für generatorisches Bremsen ist ausgefallen.	<ul style="list-style-type: none"> <li>• Schalten Sie den Frequenzumrichter aus und anschließend wieder ein.</li> <li>• Tauschen Sie den Frequenzumrichter aus.</li> </ul>
UV1 DC Bus Undervolt	○ (nur bei Stop- pbedingung)	○	Die Zwischenkreisspannung hat den Grenzwert für die Unterspannungserkennung unterschritten. (L2-05). Die Standardeinstellungen sind: 200-V-Klasse: 190 V DC 400-V-Klasse: 380 V DC	<ul style="list-style-type: none"> <li>• Prüfen Sie die Eingangsspannung.</li> <li>• Überprüfen Sie die Verdrahtung der Eingangsklemmen.</li> <li>• Überprüfen Sie die Eingangsspannung und die Verdrahtung der Eingangsklemmen.</li> <li>• Verlängern Sie die Einstellungen in C1-01/03</li> </ul>
			Zwischenkreisschutz-Funktionsfehler Das Schütz reagiert nicht während des Betriebs des Frequenzumrichters.	Tauschen Sie den Frequenzumrichter aus.
UV2 CTL PS Undervolt		○	Unterspannung der Versorgungsspannung der Controlplatine Unterspannung der Steuerschaltung während des Frequenzumrichterbetriebs.	<ul style="list-style-type: none"> <li>• Klemmen Sie alle Anschlüsse an den Steuerklemmen ab, und schalten Sie den Frequenzumrichter aus und anschließend wieder ein.</li> <li>• Tauschen Sie den Frequenzumrichter aus.</li> </ul>

### ◆ Fehler bei der Programmierung durch den Anwender

Ein Fehler bei der Programmierung durch den Anwender (OPE) tritt auf, wenn zwei oder mehr miteinander verknüpfte Parameter fehlerhaft eingestellt sind oder eine einzelne Parametereinstellung falsch ist. Der Frequenzumrichter kann erst dann in Betrieb genommen werden, wenn der Parameter richtig eingestellt ist. Es werden jedoch keine anderen Alarme oder Fehler ausgegeben. Wenn ein OPE auftritt, ändern Sie den verknüpften Parameter, indem Sie überprüfen, ob eine der in der unten stehenden Tabelle beschriebenen Ursachen vorliegt. Wenn ein OPE angezeigt wird, drücken Sie die ENTER-Taste, um U1-34 (OPE Detected) anzuzeigen. Diese Überwachungsanzeige zeigt den Parameter an, der den OPE-Fehler verursacht.

Anzeige	Bedeutung	Abhilfemaßnahmen
OPE01 kVA Selection	Fehler bei der Leistungseinstellung (kVA) für den Frequenzumrichter	Geben Sie die richtige kVA-Einstellung in o2-04 ein.
OPE02 Limit	Parametereinstellung liegt außerhalb des zulässigen Bereichs.	Überprüfen Sie die Parametereinstellungen.
OPE03 Terminal	Einer der folgenden Fehler wurde bei den Einstellungen für die Multifunktionseingänge (H1-01 bis H1-05) verursacht. <ul style="list-style-type: none"> <li>• Für zwei oder mehr Multifunktionseingänge wurde dieselbe Einstellung gewählt.</li> <li>• Die Befehle „Auf-/Abwärts“ (10 und 11) wurden einzeln für Multifunktionseingänge gewählt (müssen zusammen verwendet werden).</li> <li>• Die Befehle „Auf-/Abwärts“ (10 und 11) und „Beschleunigungs-/Verzögerungsrampe halten“ (A) wurden gleichzeitig eingestellt.</li> <li>• Es wurden gleichzeitig mehrere Fangfunktions-Eingänge (61, 62, 64) eingestellt.</li> <li>• „Externe Endstufensperre Schließer“ (8) und „externe Endstufensperre Öffner“ (9) wurden gleichzeitig ausgewählt.</li> <li>• Die Befehle „Auf-/Abwärts“ (10 und 11) wurden eingestellt, während die PID-Regelung aktiv war.</li> <li>• Für den NOT-AUS-Befehl wurden „Schließer“ (15) und „Öffner“ (17) gleichzeitig eingestellt.</li> <li>• Der PID-Regler ist aktiviert und die Befehle „Auf-/Abwärts“ (10 und 11) wurden eingestellt.</li> <li>• Die Befehle HSB (68) und KEB (65/66) wurden gleichzeitig ausgewählt.</li> </ul>	Überprüfen Sie die Parametereinstellungen in H1-□□.
OPE05 Sequence Select	Auswahlfehler START-/ Sollwertbefehl Der Parameter zur Auswahl der Sollwertquelle (b1-01) und/ oder zur Auswahl der START-Befehlsquelle (b1-02) wurde auf 3 (Optionskarte) eingestellt, es wurde jedoch keine Optionskarte installiert.	<ul style="list-style-type: none"> <li>• Überprüfen Sie, ob die Karte installiert wurde. Schalten Sie die Versorgungsspannung aus, und installieren Sie die Optionskarte neu.</li> <li>• Überprüfen Sie die Einstellung von b1-01 und b1-02.</li> </ul>



Anzeige	Bedeutung	Abhilfemaßnahmen
OPE06 PG Opt Missing	Fehler bei der Regelungsartauswahl Es wurde eine Regelbetriebsart ausgewählt, für die eine Impulsgeberrückführung benötigt wird (A1-02 = 1 oder 3), es wurde jedoch keine Impulsgeber-Optionskarte installiert.	Überprüfen Sie die in Parameter A1-02 ausgewählte Regelbetriebsart und/ oder die Installation der Impulsgeber-Optionskarte.
OPE08 Constant Selection	Funktionsauswahlfehler Es wurde eine Einstellung vorgenommen, die für die aktuelle Regelbetriebsart ungeeignet ist. Beispiel: Für die U/f-Regelung wurde eine Funktion ausgewählt, die nur für die Vektorregelung ohne Rückführung verwendet wird.	Überprüfen Sie die Regelbetriebsart und die Funktion.
OPE010 V/f Ptrn Setting	U/f-Parametereinstellungsfehler	Überprüfen Sie die Parameter (E1-□□). Ein Frequenz-/ Spannungswert wurde möglicherweise höher eingestellt als die maximal zulässige Frequenz/ Spannung.

## ◆ Autotuning-Fehler

In der nachfolgenden Tabelle sind Autotuning-Fehler aufgeführt. Wenn einer der folgenden Fehler erkannt wird, wird der entsprechende Fehler auf der digitalen Bedienkonsole angezeigt und der Motor läuft bis zum Halt aus. Es wird kein Fehler- oder Alarmausgang geschaltet.

Anzeige	Bedeutung	Abhilfemaßnahmen
Er-01 Fault	Motordatenfehler	<ul style="list-style-type: none"> <li>Überprüfen Sie die Eingabedaten.</li> <li>Überprüfen Sie die Leistung des Frequenzumrichters und die Leistung des Motors.</li> <li>Überprüfen Sie die Einstellung für den Motor-Nennstrom und den Leerlaufstrom.</li> </ul>
Er-02 Minor Fault	Alarm	<ul style="list-style-type: none"> <li>Überprüfen Sie die Eingabedaten.</li> <li>Überprüfen Sie die Verdrahtung und die Maschine.</li> <li>Überprüfen Sie die Last.</li> </ul>
Er-03 STOP key	Drücken der STOP-Taste	-
Er-04 Resistance	Fehler bei Bestimmung des Motor-Wicklungswiderstandes Das Ergebnis des Autotunings liegt außerhalb des Parametereinstellungsbereichs.	<ul style="list-style-type: none"> <li>Überprüfen Sie die Eingabedaten.</li> <li>Überprüfen Sie die Verdrahtung des Motors.</li> <li>Wenn der Motor an die Maschine angeschlossen ist, trennen Sie die Verbindung.</li> </ul>
Er-05 No-Load Current	Leerlaufstrom-Fehler Das Ergebnis des Autotunings liegt außerhalb des Parametereinstellungsbereichs.	<ul style="list-style-type: none"> <li>Wenn die Einstellung von T1-03 höher ist als die Eingangsversorgungsspannung des Frequenzumrichters (E1-01), ändern Sie die Eingabedaten.</li> </ul>
Er-08 Rated slip	Nennschlupf-Fehler Das Ergebnis des Autotunings liegt außerhalb des Parametereinstellungsbereichs.	
Er-09 Accelerate	Beschleunigungsfehler (wird nur beim rotatorischen Auto-Tuning erkannt) Der Motor hat nicht in der vorgegebenen Zeit beschleunigt (C1-10+10 Sek.).	<ul style="list-style-type: none"> <li>Erhöhen Sie C1-01 (Beschleunigungszeit).</li> <li>Erhöhen Sie L7-01 und L7-02 (Drehmomentgrenzwerte)</li> <li>Wenn der Motor an die Maschine angeschlossen ist, trennen Sie die Verbindung.</li> </ul>
Er-11 Motor Speed	Motordrehzahlfehler (wird nur beim rotatorischen Auto-Tuning erkannt) Der Drehmomentsollwert hat bei der Beschleunigung 100 % überschritten. Wird nur erkannt, wenn A1-02 = 2 oder 3 (Vektorregelung).	<ul style="list-style-type: none"> <li>Wenn der Motor an die Maschine angeschlossen ist, trennen Sie die Verbindung.</li> <li>Erhöhen Sie C1-01.</li> <li>Überprüfen Sie die Eingabedaten (besonders die Anzahl der Geberimpulse/ Umdrehung und die Anzahl der Motorpole).</li> </ul>
Er-12 I-det. Circuit	Stromerkennungsfehler <ul style="list-style-type: none"> <li>Der Strom hat den Motor-Nennstrom überschritten.</li> <li>Ausfall einer der Phasen U/T1, V/T2 oder W/T3.</li> </ul>	Überprüfen Sie die Verdrahtung des Frequenzumrichters.
Er-13 Leakage Inductance Fault	Streuinduktivitätsfehler Das Ergebnis des Autotunings liegt außerhalb des Parametereinstellungsbereichs.	Überprüfen Sie die Verdrahtung des Motors.
End-1 V/f Over Setting	Nennstromeinstellungsalarm Wird nach Abschluss des Autotunings angezeigt. Der während des Autotunings gemessene Wert des Motornennstroms (E2-01) war größer als der eingestellte Wert.	Überprüfen Sie den Wert des Motornennstroms.
End-2 Saturation	Motorsättigungsalarm (Wird nur beim rotatorischen Auto-Tuning erkannt.)	<ul style="list-style-type: none"> <li>Überprüfen Sie die Eingabedaten.</li> <li>Überprüfen Sie die Verdrahtung des Motors.</li> <li>Wenn der Motor an die Maschine angeschlossen ist, trennen Sie die Verbindung.</li> </ul>
End-3 Rated FLA Alm	Nennstromeinstellungsalarm Der während des Autotunings gemessene Wert des Motornennstroms (E2-01) war größer als der eingestellte Wert.	Überprüfen Sie den Wert des Motornennstroms.

# Guía de referencia rápida F7Z

## Tabla de contenido

<b>Advertencias .....</b>	<b>ES-2</b>
◆ Precauciones de seguridad e instrucciones .....	ES-3
◆ Compatibilidad EMC .....	ES-4
<b>Instalación .....</b>	<b>ES-6</b>
◆ Instalación mecánica .....	ES-6
◆ Conexión eléctrica .....	ES-8
◆ Cableado de las entradas del circuito principal .....	ES-12
<b>Funcionamiento del teclado .....</b>	<b>ES-14</b>
◆ Display del operador digital (opcional) .....	ES-14
<b>Encendido y configuración de parámetros básicos ...</b>	<b>ES-15</b>
◆ Procedimiento de arranque .....	ES-15
◆ Antes del encendido .....	ES-16
◆ Display después del encendido .....	ES-16
◆ Autotuning .....	ES-16
<b>Parámetro de usuario .....</b>	<b>ES-18</b>
<b>Detección y corrección de errores .....</b>	<b>ES-21</b>
◆ Alarmas y fallos generales .....	ES-21
◆ Errores de programación del operador .....	ES-23
◆ Fallos de autotuning .....	ES-24



## PRECAUCIÓN

**Mientras esté conectada la alimentación no se deben conectar o desconectar cables ni llevar a cabo pruebas de señal.**

El condensador de bus de c.c. del Varispeed F7Z permanece cargado incluso una vez que la alimentación ha sido desconectada. Para evitar el riesgo de descarga eléctrica desconecte el variador de frecuencia del circuito de alimentación antes de llevar a cabo trabajos de mantenimiento. Posteriormente espere al menos durante 5 minutos hasta que todos los LEDs se hayan apagado.

No realice pruebas de resistencia a la tensión en ninguna parte del Varispeed. El variador de frecuencia contiene semiconductores que no están diseñados para soportar tan altas tensiones.

No quite el operador digital mientras la alimentación principal de corriente esté conectada. La placa de circuitos impresos tampoco se debe tocar mientras el variador esté conectado a la alimentación.

Nunca conecte filtros de supresión de interferencias LC/RC, condensadores o dispositivos de protección contra sobretensiones a la entrada o a la salida del variador.

Para evitar que se visualicen fallos innecesarios de sobrecorriente, etc., los contactos de señal de cualquier contactor o conmutador instalado entre el variador y el motor deben estar integrados en la lógica de control del variador (por ejemplo, baseblock).

Esto es absolutamente imprescindible

Este manual se debe leer detenidamente antes de conectar y operar el variador. Deben seguirse todas las precauciones de seguridad e instrucciones.

El variador se debe operar con los filtros de línea apropiados siguiendo las instrucciones de instalación de este manual y con todas las cubiertas cerradas y los terminales cubiertos.

Solamente entonces estará adecuadamente protegido. No conecte u opere cualquier equipamiento que presente daños visibles o al que le falten componentes. La empresa operadora es responsable de las lesiones a personas y de los daños al equipamiento derivados de la no observancia de las advertencias que contiene este manual.

## ◆ Precauciones de seguridad e instrucciones

### ■ General

Lea detenidamente estas precauciones de seguridad e instrucciones de funcionamiento antes de instalar y operar este variador. Asimismo, lea todas las señales de advertencia que se encuentran en el variador y asegúrese de que nunca estén dañadas o falten.

Es posible que se pueda acceder a componentes activos y calientes durante la operación. Retirar componentes de la carcasa, el operador digital o las cubiertas de los terminales conlleva el riesgo de sufrir lesiones graves o de dañar el equipo en el caso de una instalación u operación incorrecta. El hecho de que los variadores de frecuencia se utilizan para controlar componentes mecánicos rotativos de máquinas puede ser la causa de otros peligros.

Deben seguirse las instrucciones contenidas en este manual. La instalación, la operación y el mantenimiento solamente los deben llevar a cabo personal cualificado. En lo que se refiere a las precauciones de seguridad, el personal cualificado se define como las personas que están familiarizadas con la instalación, el arranque, la operación y el mantenimiento de variadores de frecuencia y que cuentan con la cualificación profesional adecuada para llevar a cabo estos trabajos. La operación segura de estas unidades solamente es posible si se utilizan de manera apropiada y para el fin para el que fueron diseñadas.

Los condensadores de bus de c.c. pueden mantenerse activos durante aproximadamente 5 minutos una vez que el variador se desconecta de la alimentación. Por lo tanto es necesario esperar este tiempo antes de abrir sus cubiertas. Todos los terminales del circuito principal pueden estar sometidos aún a tensiones peligrosas.

No debe permitirse el acceso a estos variadores a niños y personas no autorizadas.

Guarde estas Precauciones de seguridad e instrucciones en un lugar fácilmente accesible y haga que todas las personas que tienen algún tipo de acceso a los variadores puedan disponer de ellas.

### ■ Uso previsto

Los variadores de frecuencia están previstos para su instalación en sistemas o maquinaria eléctricos.

Su instalación en la maquinaria y en los sistemas debe ser conforme a la siguiente normativa de producto de la Directiva de baja tensión:

EN 50178, 1997-10, Equipo electrónico para uso en instalaciones de potencia

EN 60204-1, 1997-12 Seguridad de las máquinas, Equipo eléctrico de las máquinas

Parte 1: Requisitos generales (IEC 60204-1:1997)/

Tenga en cuenta: incluido Corrigendum de septiembre de 1998

EN 61010-1, A2, 1995 Requisitos de seguridad para equipos de procesamiento de información

(IEC 950, 1991 + A1, 1992 + A2, 1993 + A3, 1995 + A4, 1996, modificada)

El marcado CE se lleva a cabo según EN 50178 utilizando los filtros de línea especificados en este manual y siguiendo las instrucciones de instalación apropiadas.

### ■ Transporte y almacenamiento

Las instrucciones para el transporte, el almacenamiento y la manipulación adecuada se deben seguir según los datos técnicos.

### ■ Instalación

Instale y refrigere los variadores como se especifica en la documentación. El aire de refrigeración debe circular en la dirección especificada. El variador, por lo tanto, solamente debe ser operado en la posición especificada (es decir, en posición vertical). Mantenga las distancias especificadas. Proteja los variadores contra cargas no permitidas. Los componentes no deben estar doblados y las distancias de aislamiento no se deben modificar. Para evitar daños causados por electricidad estática no toque ningún componente electrónico ni contacto.

## ■ Conexión eléctrica

Realice cualquier trabajo en el equipo activo según las regulaciones nacionales de seguridad y prevención de accidentes correspondientes. Lleve a cabo la instalación eléctrica según las regulaciones correspondientes. En concreto, siga las instrucciones de instalación asegurando la compatibilidad electromagnética (EMC), por ejemplo el blindaje, la conexión a tierra, la distribución de filtros y el tendido de cables. Esto también es de aplicación para el equipamiento con marcado CE. Es responsabilidad del fabricante del sistema o máquina garantizar la conformidad con las limitaciones EMC.

Debe ponerse en contacto con su distribuidor o representante Omron Yaskawa Motion Control cuando utilice diferenciales junto con variadores de frecuencia.

En ciertos sistemas puede ser necesario utilizar dispositivos adicionales de control y seguridad según las regulaciones pertinentes sobre seguridad y prevención de accidentes. El hardware del variador de frecuencia no se debe modificar.

## ■ Notas

Los variadores de frecuencia Varispeed F7 están certificados de acuerdo a CE, UL y c-UL.

---

## ◆ Compatibilidad EMC

### ■ Introducción

Este manual se ha compilado para ayudar a los fabricantes de sistemas que utilizan variadores de frecuencia OMRON YASKAWA Motion Control (OYMC) a diseñar e instalar equipos eléctricos de conmutación. También describe las medidas necesarias para adecuarse a la Directiva EMC. Por lo tanto, deben seguirse las instrucciones de instalación y cableado de este manual.

Nuestros productos son probados por organizaciones autorizadas utilizando la normativa enumerada a continuación.

Normativa de producto: EN 61800-3:1996  
EN 61800-3; A11:2000

### ■ Medidas para asegurar la conformidad de los variadores de frecuencia OYMC a la Directiva EMC

Los variadores de frecuencia OYMC no se deben instalar necesariamente en un armario de maniobra.

No es posible facilitar instrucciones detalladas para todos los tipos posibles de instalación. Por lo tanto, este manual se ha tenido que limitar a directrices generales.

Todo equipo eléctrico produce interferencias de radio y de línea en varias frecuencias. Los cables las transmiten a la atmósfera como si fueran una antena.

La conexión de equipamiento eléctrico (por ejemplo, un controlador) a una fuente de alimentación sin un filtro de línea puede, por lo tanto, permitir que las interferencias de alta o baja frecuencia se introduzcan en el circuito eléctrico.

Las contramedidas básicas son el aislamiento del cableado de los componentes de control y potencia, una conexión a tierra adecuada y el blindaje de los cables.

Para la puesta a tierra de baja impedancia de interferencias de alta frecuencia es necesaria una amplia área de contacto. Por lo tanto, se recomienda el uso de grapas de puesta a tierra en vez de cables.

Además, los cables blindados se deben conectar mediante clips específicos para la puesta a tierra.

## ■ Tendido de cables

Medidas contra la interferencia de línea:

El filtro de línea y el variador de frecuencia se deben montar sobre la misma placa metálica. Monte ambos componentes tan cerca uno del otro como sea posible, manteniendo también el cableado lo más corto posible.

Utilice un cable de potencia con blindaje con una buena puesta a tierra. Para los cables de motor de hasta 50 metros de longitud, utilice cables blindados. Disponga todas las puestas a tierra de tal manera que se maximice el área del extremo del conductor en contacto con el terminal de tierra (por ejemplo, una placa metálica).

Cable blindado:

- Utilice un cable con protección trenzada.
- Ponga a tierra la mayor superficie posible del blindaje. Es recomendable poner a tierra el blindaje conectando el cable a la placa de tierra con clips metálicos (véase la siguiente figura).

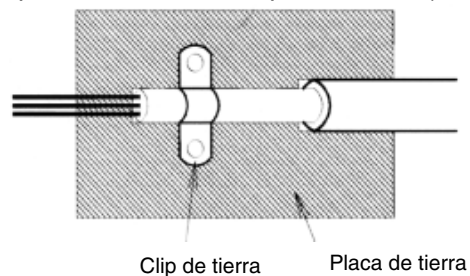


Fig. 1 Conexión a tierra del blindaje del cable con clips metálicos

Las superficies de puesta a tierra deben ser de metal desnudo altamente conductor. Elimine las capas de barniz y pintura que pudiera tener.

- Conecte a tierra los blindajes de cable en ambos extremos.
- Conecte a tierra el motor de la máquina.

# Instalación

## ◆ Instalación mecánica

### ■ Desembalaje del variador

Compruebe los siguientes elementos después de desembalar el variador.

Elemento	Método
¿Le ha sido suministrado el modelo de variador correcto?	Compruebe el número de modelo en la placa del lateral del variador.
¿Presenta el variador algún tipo de daño?	Inspeccione la totalidad del exterior del variador para comprobar la existencia de arañazos u otro tipo de daños derivados del envío.
¿Hay tornillos o componentes flojos?	Compruebe la firmeza de las uniones mediante un destornillador u otras herramientas.

Si encuentra alguna irregularidad en los elementos anteriormente descritos, póngase en contacto con el distribuidor en el que ha adquirido el variador o con su representante Omron Yaskawa Motion Control inmediatamente.

### ■ Comprobación del sitio de instalación

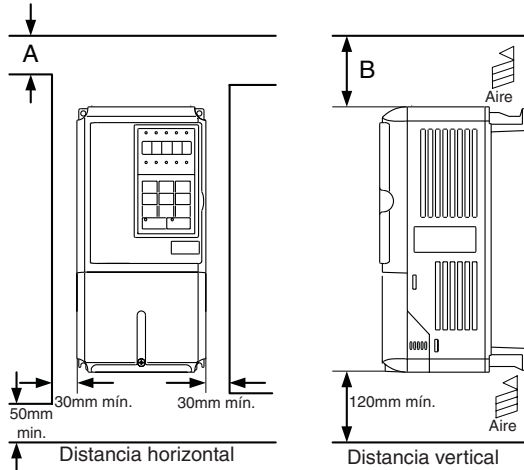
Las tapas de protección están instaladas en la parte superior e inferior de los variadores NEMA 1/ IP20. Asegúrese de retirar la tapa superior antes de operar un variador de clase 200 ó 400 V con una capacidad de 18,5 kW o menos en un panel.

Observe las siguientes precauciones al montar el variador:

- Instale el variador en una ubicación limpia libre de vapores de grasa y polvo. Se puede montar en un panel totalmente cerrado que esté completamente protegido contra el polvo en suspensión.
- Cuando instale u opere el variador tenga siempre especial cuidado de que no entre en el dispositivo polvo metálico, grasa, agua o cualquier otro elemento extraño.
- No instale el variador sobre materiales combustibles, como por ejemplo madera.
- Instale el variador en una ubicación libre de materiales radiactivos y de materiales combustibles.
- Instale el variador en una ubicación libre de gases y fluidos dañinos.
- Instale el variador en una ubicación sin excesiva oscilación.
- Instale el variador en una ubicación libre de cloruros.
- Instale el variador en una ubicación sin luz solar directa.

## ■ Orientación de instalación

Instale el variador verticalmente con el fin de no reducir el efecto refrigerante. Al instalar el variador tenga en cuenta siempre las siguientes distancias de instalación para permitir una disipación normal del calor.



	A	B
Variador de clase 200 V, de 0,55 a 90 kW	50 mm	120 mm
Variador de clase 400 V, de 0,55 a 132 kW	50 mm	120 mm
Variador de clase 200 V, 110 kW	120 mm	120 mm
Variador de clase 400 V, de 160 a 220 kW	120 mm	120 mm
Variador de clase 400 V, 300 kW	300 mm	300 mm

Fig. 2 Espacio de instalación



**IMPORTANTE**

1. Se requieren las mismas distancias verticales y horizontales para los variador IP00, IP20 y NEMA 1.
2. Asegúrese de retirar siempre la tapa protectora superior después de instalar un variador con una salida de 18,5 kW o menos en un panel.  
Deje siempre suficiente espacio para los pernos de anilla de suspensión y las líneas del circuito principal al instalar un variador con una salida de 22 kW o más en un panel.

## ■ Instalación de variadores y filtros EMC

Para una instalación compatible con las normas EMC, tenga en cuenta los siguientes puntos:

- Utilice un filtro de línea.
- Utilice cables blindados para el motor.
- Monte el variador y el filtro en una placa conductora con toma de tierra.
- Quite la pintura o la suciedad antes de montar las piezas para alcanzar la impedancia de tierra más baja posible.

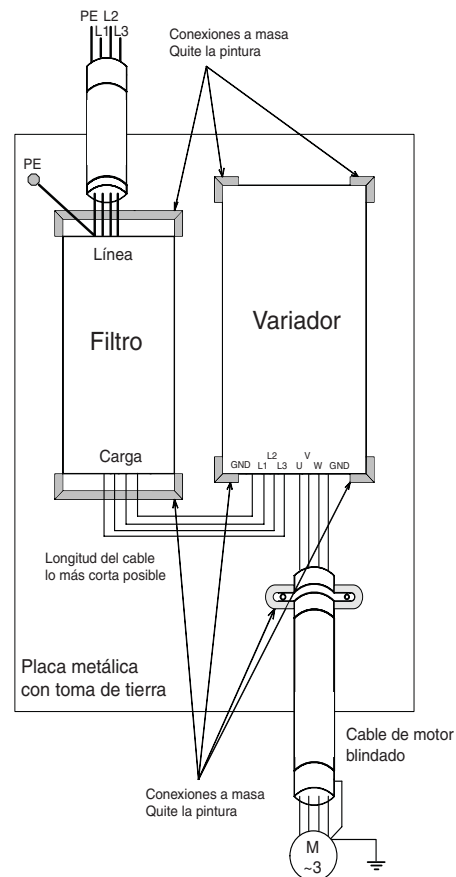


Fig. 3 Instalación del filtro EMC



## ◆ Conexión eléctrica

### ■ Cableado del variador

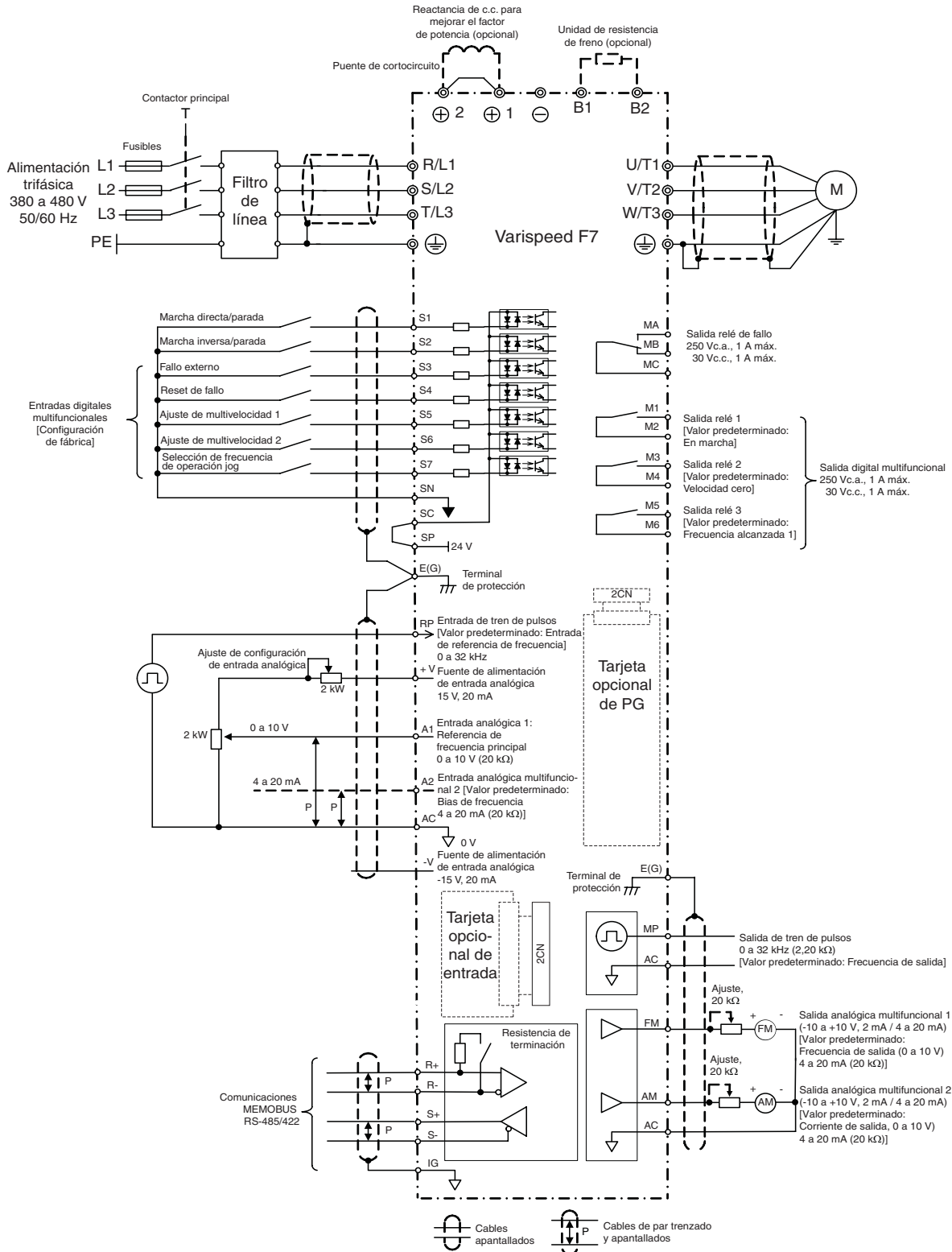


Fig. 4 Diagrama de cableado

## ■ Terminales del circuito principal

Las funciones de los terminales del circuito principal se resumen según los símbolos de terminal en la **Tabla 1**. Cablee los terminales adecuadamente para los usos deseados.

Tabla 1 Funciones de los terminales del circuito principal (clase 200 V y clase 400 V)

Empleo	Símbolo de terminal	Modelo: CIMR-F7Z□□□□	
		Clase 200 V	Clase 400 V
Entrada de alimentación del circuito principal	R/L1, S/L2, T/L3 R1/L11, S1/L21, T1/L31	20P4 a 2.110 2.022 a 2.110	40P4 a 4.300 4.022 a 4.300
Salidas del variador	U/T1, V/T2, W/T3	20P4 a 2.110	40P4 a 4.300
Terminales de bus de c.c.	⊕1, ⊖	20P4 a 2.110	40P4 a 4.300
Conexión de la unidad de resistencia de freno	B1, B2	20P4 a 2.018	40P4 a 4.018
Conexión de la reactancia de c.c.	⊕1, ⊕2	20P4 a 2.018	40P4 a 4.018
Conexión de la unidad de freno	⊕3, ⊖	2.022 a 2.110	4.022 a 4.300
Conexión a tierra	⊖	20P4 a 2.110	40P4 a 4.300

## ■ Terminales del circuito de control

La **Fig. 5** muestra la disposición de de control. Las funciones de los terminales del circuito de control se muestran en la **Tabla 2**. Utilice los terminales apropiados para los usos deseados.

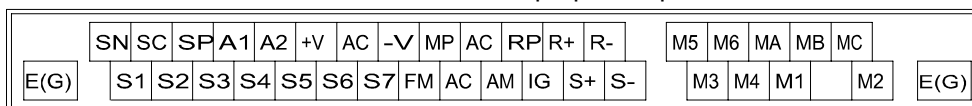


Fig. 5 Disposición de los terminales de control

Tabla 2 Terminales del circuito de control con configuraciones por defecto

Tipo	Nº	Nombre de la señal	Función	Nivel de señal	
Señales de entrada digital	S1	Comando de marcha directa/parada	Marcha directa cuando está en ON; parada cuando está en OFF.	24 Vc.c., 8 mA Aislamiento de fotoacoplador	
	S2	Comando de marcha inversa/parada	Marcha inversa cuando está en ON; parada cuando está en OFF.		
	S3	Entrada de fallo externo*1	Fallo cuando está en ON.		
	S4	Reset de fallo *1	Reset cuando está en ON		
	S5	Referencia de multivelocidad 1 *1 (Conmutador maestro/auxiliar)	Referencia de frecuencia auxiliar cuando está en ON		
	S6	Referencia de multivelocidad 2 *1	Multivelocidad 2 cuando está en ON.		
	S7	Referencia de frecuencia de operación jog *1	Frecuencia de operación jog cuando está en ON.		
	SC	Común de entrada digital	–		–
	SN	Neutro de entrada digital	–		–
Señales de entrada analógica	SP	Alimentación de entrada digital	Fuente de alimentación de +24 Vc.c. para entradas digitales	24 Vc.c., 250 mA máx. *2	
	+ V	Salida de alimentación 15 V	Alimentación de 15 V para referencias analógicas	15 V (corriente máx.: 20 mA)	
	A1	Referencia de frecuencia	0 a +10 V/100%	–10 a +10 V (20 kΩ) 0 a +10 V (20 kΩ)	
	A2	Referencia de frecuencia auxiliar	Referencia de frecuencia analógica auxiliar; 4 a 20 mA (250 Ω)	La función se selecciona configurando H3-09. 4 a 20 mA (250 Ω) 0 V a +10 V (20 kΩ) 0 a 20 mA (250 Ω)	
	-V	Salida de alimentación –15 V	Alimentación de –15 V para referencias analógicas		
	AC	Común de referencia analógica	–	–	
	E(G)	Cable blindado, punto opcional de conexión de línea a tierra	–	–	

Tipo	Nº	Nombre de la señal	Función		Nivel de señal
Señales de salida digital	M1	Durante RUN (NA)	Cerrado durante marcha		Contactos de relé Capacidad de los contactos: 1 A máx. a 250 Vc.a. 1 A máx. a 30 Vc.c. <sup>*3</sup>
	M2				
	M3	Velocidad cero (NA)	Cerrado cuando la frecuencia de salida está en el nivel cero (b2-01) o inferior		
	M4				
	M5	Detección de velocidad alcanzada (NA)	Entre $\pm 2$ Hz de la frecuencia configurada cuando está ON		
	M6				
	MA	Señal de salida de fallo	Cerrado en MA y MC durante fallos		
	MB		Abierto en MB y MC durante fallos		
	MC				
Señales de salida analógica	FM	Frecuencia de salida	Señal de frecuencia de salida analógica; 0 a 10 V; 10 V=FMAX	Función seleccionada por H4-01	0 a +10 V máx. $\pm 5\%$ 2 mA máx.
	AC	Común de analógica	-		
	AM	Potencia de salida del variador	Señal de potencia de salida analógica; 0 a 10 V; 10 V=capacidad del motor apl. máx.	Función seleccionada por H4-04	-10 a +10 V máx. $\pm 5\%$ 2 mA máx. 4 a 20 mA
E/S de pulsos	RP	Entrada de pulsos	H6-01 (entrada de referencia de frecuencia) <sup>*4</sup>		0 a 32 kHz (3 k $\Omega$ ) Tensión de alto nivel 3,5 a 13,2 V
	MP	Salida de pulsos	H6-06 (frecuencia de salida)		0 a 32 kHz +15 V salida (2,2 k $\Omega$ )
RS-485/422	R+	Entrada de comunicaciones MEMOBUS	Para RS-485 de 2 hilos, puentes R+ y S+, así como R- y S-.		Entrada de diferencial, aislamiento de PHC
	R-				
	S+	Salida de comunicaciones MEMOBUS			Entrada de diferencial, aislamiento de PHC
	S-				
IG	Común de señal	-		-	

- \*1. La configuración predeterminada corresponde a los terminales S3 a S7. Para una secuencia de 3 hilos, la configuración predeterminada es una secuencia de 3 hilos para S5, configuración de multivelocidad 1 para S6 y configuración de multivelocidad 2 para S7.
- \*2. No utilice esta fuente de alimentación para dispositivos externos.
- \*3. Cuando controle una carga reactiva, como una bobina de relé con alimentación de c.c., inserte siempre un diodo como se muestra en la Fig. 6
- \*4. Las especificaciones de entrada de pulsos se muestran en la siguiente tabla:

Tensión de nivel bajo	0,0 a 0,8 V
Tensión de nivel alto	3,5 a 13,2 V
Trabajo intenso	30% a 70%
Frecuencia de pulsos	0 a 32 kHz

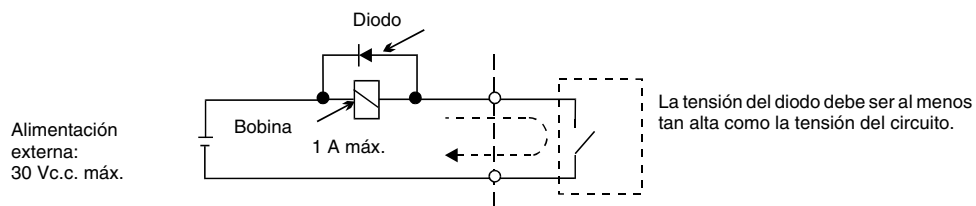


Fig. 6 Conexión del diodo

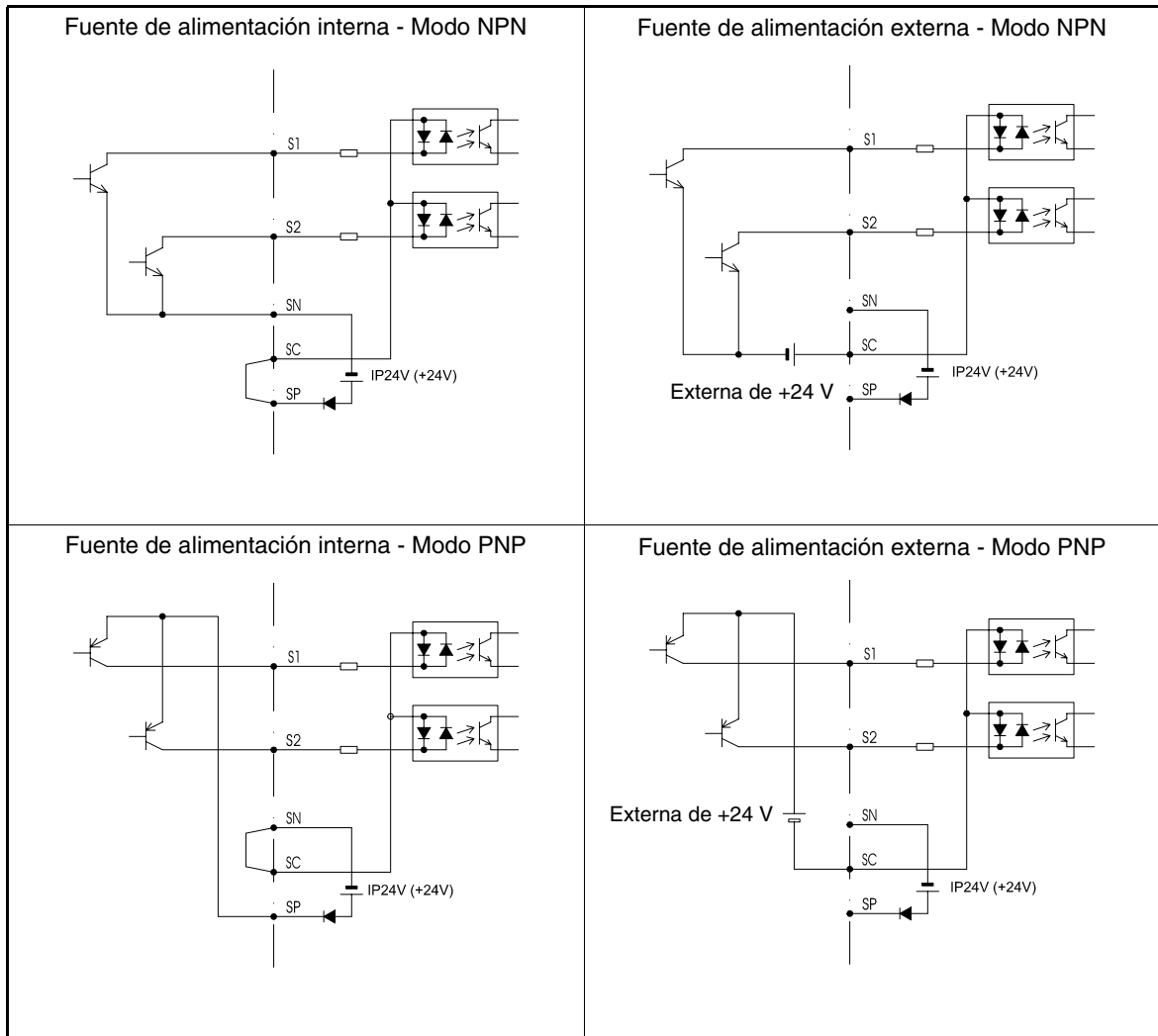


- En Fig. 4 se muestra el cableado de las entradas digitales S1 a S7 para la conexión de contactos o de transistores NPN (modo 0 V común y NPN). Esta es la configuración predeterminada. Para conectar transistores PNP o para utilizar una fuente de alimentación externa de 24 V consulte la Tabla 3.
- Una reactancia de c.c es una opción solamente para variadores de 18,5 kW o menos. Retire el puente al conectar una reactancia de c.c.

## ■ Modo NPN/PNP (selección NPN/PNP)

La lógica del terminal de entrada puede ser conmutada entre el modo NPN (0-V común, NPN) y PNP (+24 V común, PNP) mediante el puente CN5. También admite una fuente de alimentación externa, lo que facilita una mayor libertad de métodos de entrada de señal.

Tabla 3 Modo NPN/PNP y señales de entrada



## ◆ Cableado de las entradas del circuito principal

### Instalación de fusibles

Para proteger el variador se recomienda utilizar fusibles semiconductores como los mostrados en la siguiente tabla.

Tabla 4 Selección de fusible de entrada

Tipo de variador	Salida nominal del variador Corriente (A)	Selección de fusible			Ejemplo de selección (Ferraz)		
		Tensión (V)	Corriente (A)	$I^2t$ (A <sup>2</sup> s)	Modelo	Valor nominal	$I^2t$ (A <sup>2</sup> s)
20P4	3,2	240	10	12~25	A60Q12-2	600 V/12 A	17
20P7	4,1	240	10	12~25	A60Q12-2	600 V/12 A	17
21P5	7,0	240	15	23~55	A60Q15-2	600 V/15 A	26
22P2	9,6	240	20	34~98	A60Q20-2	600 V/20 A	41
23P7	15	240	30	82~220	A60Q30-2	600 V/30 A	132
25P5	23	240	40	220~610	A50P50-4	500 V/50 A	250
27P5	31	240	60	290~1.300	A50P80-4	500 V/80 A	640
2.011	45	240	80	450~5.000	A50P80-4	500 V/80 A	640
2.015	58	240	100	1.200~7.200	A50P125-4	500 V/125 A	1.600
2.018	71	240	130	1.800~7.200	A50P150-4	500 V/150 A	2.200
2.022	85	240	150	870~16.200	A50P150-4	500 V/150 A	2.200
2.030	115	240	180	1.500~23.000	A50P200-4	500 V/200 A	4.000
2.037	145	240	240	2.100~19.000	A50P250-4	500 V/250 A	6.200
2.045	180	240	300	2.700~55.000	A50P300-4	500 V/300 A	9.000
2.055	215	240	350	4.000~55.000	A50P350-4	500 V/350 A	12.000
2.075	283	240	450	7.100~64.000	A50P450-4	500 V/450 A	20.000
2.090	346	240	550	11.000~64.000	A50P600-4	500 V/600 A	36.000
2.110	415	240	600	13.000~83.000	A50P600-4	500 V/600 A	36.000
40P4	1,8	480	5	6~55	A60Q10-2	600 V/10 A	10
40P7	2,1	480	5	6~55	A60Q10-2	600 V/10 A	10
41P5	3,7	480	10	10~55	A60Q12-2	600 V/12 A	17
42P2	5,3	480	10	18~55	A60Q15-2	600 V/15 A	26
43P7	7,6	480	15	34~72	A60Q20-2	600 V/20 A	41
44P0	8,7	480	20	50~570	A60Q30-2	600 V/30 A	132
45P5	12,5	480	25	100~570	A60Q30-2	600 V/30 A	132
47P5	17	480	30	100~640	A60Q30-2	600 V/30 A	132
4.011	24	480	50	150~1.300	A70P50-4	700 V/50 A	300
4.015	31	480	60	400~1.800	A70P70-4	700 V/70 A	590
4.018	39	480	70	700~4.100	A70P80-4	700 V/80 A	770
4.022	45	480	80	240~5.800	A70P80-4	700 V/80 A	770
4.030	60	480	100	500~5.800	A70P100-4	700 V/100 A	1.200
4.037	75	480	125	750~5.800	A70P125-4	700 V/125 A	1.900
4.045	91	480	150	920~13.000	A70P150-4	700 V/150 A	2.700
4.055	112	480	150	1.500~13.000	A70P200-4	700 V/200 A	4.800
4.075	150	480	250	3.000~55.000	A70P250-4	700 V/250 A	7.500
4.090	180	480	300	3.800~55.000	A70P300-4	700 V/300 A	11.000
4.110	216	480	350	5.400~23.000	A70P350-4	700 V/350 A	15.000
4.132	260	480	400	7.900~64.000	A70P400-4	700 V/400 A	19.000
4.160	304	480	450	14.000~250.000	A70P450-4	700 V/450 A	24.000
4.185	370	480	600	20.000~250.000	A70P600-4	700 V/600 A	43.000
4.220	506	480	700	34.000~400.000	A70P700-4	700 V/700 A	59.000
4.300	675	480	900	52.000~920.000	A70P900-4	700 V/900 A	97.000

Tenga en cuenta las siguientes precauciones para la entrada de la fuente de alimentación del circuito principal.

- Si se utiliza un interruptor automático de estuche moldeado para la conexión de la fuente de alimentación (R/L1, S/L2 y T/L3), asegúrese de que el interruptor automático sea adecuado para el variador.
- Si se utiliza un interruptor automático diferencial, debe poder detectar todos los tipos de corriente para garantizar una detección segura de corriente de fuga a tierra.
- Se puede utilizar un contactor magnético u otro dispositivo de conmutación en la entrada del variador. El variador no se debe encender más de una vez por hora.

- Las fases de entrada (R/S/T) se pueden conectar en cualquier secuencia.
- Si el variador está conectado a un transformador de potencia de alta capacidad (600 kW o más) o se conmuta un condensador de avance de fase en la proximidad, es posible que circule una corriente de pico excesiva por el circuito de entrada de alimentación provocando daños en el variador. Como medida, instale una reactancia de c.a. opcionalmente en la entrada del variador o una reactancia de c.c en los terminales de conexión de reactancia de c.c.
- Utilice un limitador de sobretensiones o un diodo para cargas inductivas cerca del variador. Las cargas inductivas incluyen contactores magnéticos, relés electromagnéticos, válvulas solenoides, solenoides y frenos magnéticos.

### ■ Cableado del lado de salida del circuito principal

Las siguientes precauciones se deben tener en cuenta para el cableado del circuito de salida.

- Nunca conecte una fuente de alimentación a los terminales de salida del variador. De lo contrario, el variador se podría dañar.
- Nunca cortocircuite o conecte a tierra los terminales de salida. De lo contrario, el variador se podría dañar.
- No utilice condensadores de corrección de fase. De lo contrario, el variador y los condensadores se podrían dañar.
- Compruebe la secuencia de control para asegurarse de que el contactor magnético (MC) entre el variador y el motor no conmute a ON o a OFF durante la operación del variador. Si el MC conmuta a ON mientras opera el variador, se creará una elevada corriente de irrupción y es posible que se active la protección contra sobrecorriente del variador.

### ■ Conexión a tierra

Las siguientes precauciones se deben tener en cuenta para la conexión a tierra.

- No comparta el cable de tierra con otros dispositivos como equipos de soldadura o herramientas eléctricas.
- Utilice siempre un cable de tierra que cumpla las normativas técnicas sobre equipamiento eléctrico y minimice su longitud.

El variador provoca la corriente de fuga. Por lo tanto, si la distancia entre el electrodo de tierra y el terminal de tierra es demasiado larga, el potencial en el terminal de tierra del variador se volverá inestable.

- Cuando utilice más de un variador, no forme lazos en el cable de tierra.

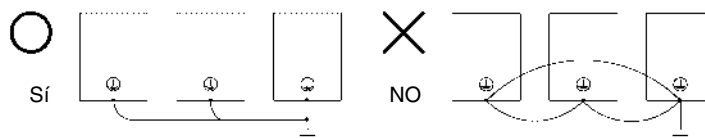


Fig. 7 Cableado a tierra

### ■ Precauciones para el cableado del circuito de control

Tenga en cuenta las siguientes precauciones para el cableado de los circuitos de control.

- Separe el cableado del circuito de control del cableado del circuito principal (terminales R/L1, S/L2, T/L3, B1, B2, U/T1, V/T2, W/T3, B1, B2, ⊖, ⊕1, ⊕2 y ⊕3, PO, NO) y otras líneas de alta potencia.
- Separe el cableado para los terminales del circuito de control MA, MB, MC, M1 a M6 (salidas a relé) del cableado a otros terminales del circuito de control.
- Si se utiliza una fuente de alimentación externa auxiliar, deberá ser una fuente incluida en la lista UL Clase 2.
- Utilice cable de par trenzado o cable de par trenzado apantallado para los circuitos de control para prevenir fallos en el funcionamiento.
- Conecte el blindaje de los cables a tierra con la mayor superficie de contacto posible entre el blindaje y tierra.
- El blindaje del cable se debe conectar a tierra en ambos extremos del cable.

# Funcionamiento del teclado

## ◆ Display del operador digital (opcional)

Los nombres y funciones de las teclas del operador digital se describen más adelante



Indicadores del modo de controlador

**FWD:** Se ilumina cuando se introduce un comando de marcha directa.

**REV:** Se ilumina cuando se introduce un comando de marcha inversa.

**SEQ:** Se ilumina cuando se selecciona una fuente de comandos de marcha que no sea el operador digital.

**REF:** Se ilumina cuando se selecciona una fuente de referencia de frecuencia que no sea el operador digital.

**ALARM:** Se ilumina cuando ha tenido lugar un fallo o una alarma.

Display de datos

Muestra los datos de monitorización, números de parámetros y configuraciones.

*Display de modo* (se visualiza en la parte superior izquierda del display de datos)

**DRIVE:** Se ilumina en el modo de controlador.

**QUICK:** Se ilumina en el modo de programación rápida.

**ADV:** Se ilumina en el modo de programación avanzada.

**VERIFY:** Se ilumina en el modo de verificación.

**A. TUNE:** Se ilumina en el modo de autotuning.

Teclas

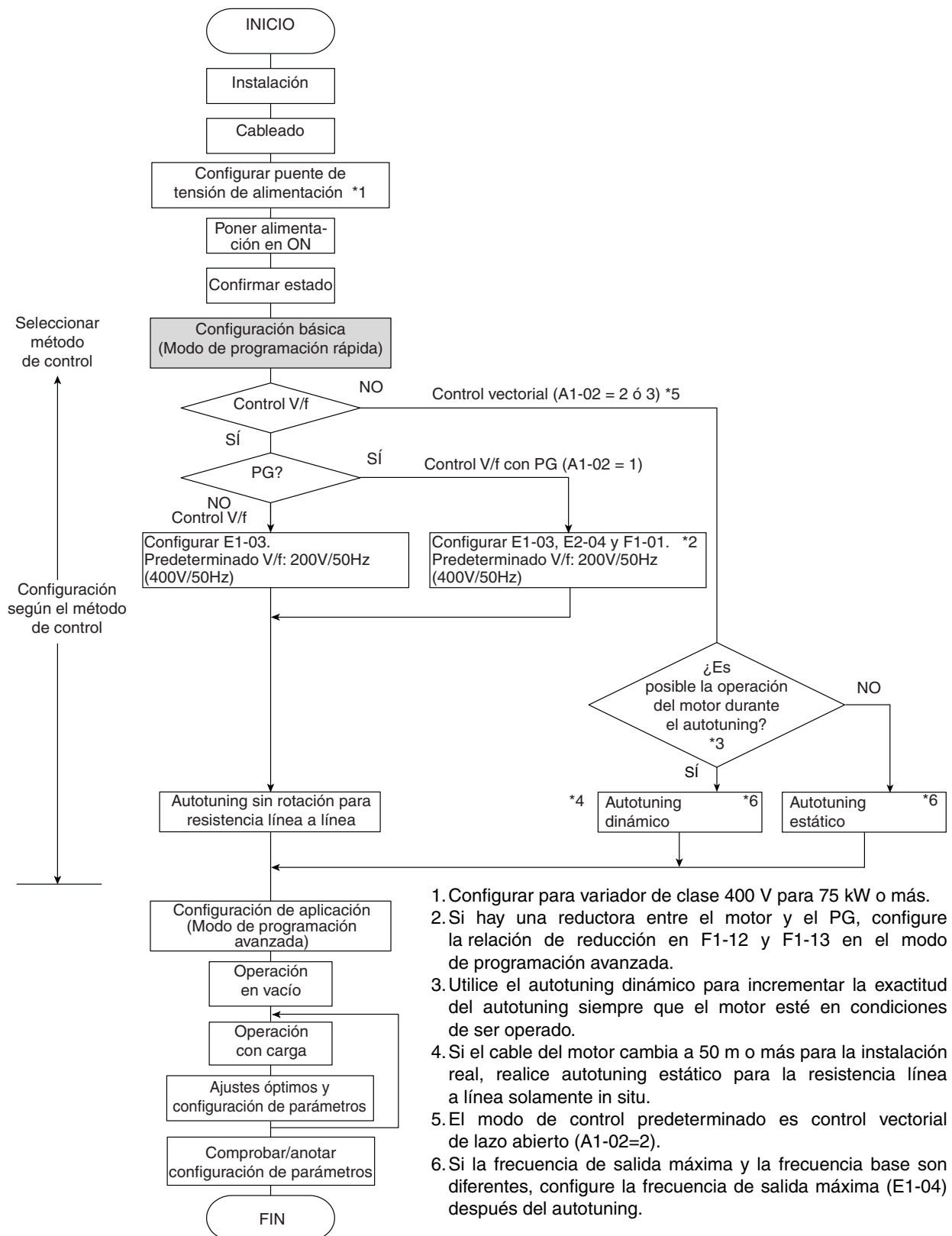
Ejecutan operaciones tales como la configuración de parámetros de usuario, la monitorización, la operación jog y el autotuning.

## ■ Teclas del operador digital

Tecla	Nombre	Función
	Tecla LOCAL/REMOTE	Alterna entre la operación mediante el operador digital (LOCAL) y las configuraciones en b1-01 y b1-02 (REMOTE). Esta tecla se puede activar o desactivar configurando el parámetro o2-01.
	Tecla MENU	Selecciona los modos.
	Tecla ESC	Vuelve al estado que existía antes de pulsar la tecla DATA/ENTER.
	Tecla JOG	Activa la operación jog cuando el variador se controla desde el operador digital.
	Tecla FWD/REV	Selecciona el sentido de rotación del motor cuando el variador está siendo operado desde el operador digital.
	Tecla Shift/RESET	Configura el dígito activo cuando se programan parámetros de usuario.
	Tecla Más	Selecciona los números de parámetros de usuario e incrementa las configuraciones de parámetros. Se utiliza para desplazarse al siguiente elemento o dato.
	Tecla Menos	Selecciona los números de parámetros de usuario y disminuye las configuraciones de parámetros. Se utiliza para desplazarse al elemento o dato anterior.
	Tecla DATA/ENTER	Accede a los menús e introduce parámetros, además de validar las configuraciones de parámetros.
	Tecla Run	Inicia la operación cuando el variador está siendo controlado por el operador digital (modo LOCAL).
	Tecla STOP	Detiene la operación del variador (modo LOCAL y REMOTE). Esta tecla puede ser habilitada o deshabilitada cuando se opera desde una fuente diferente al operador configurando el parámetro o2-02.

# Encendido y configuración de parámetros básicos

## ◆ Procedimiento de arranque



1. Configurar para variador de clase 400 V para 75 kW o más.
2. Si hay una reductora entre el motor y el PG, configure la relación de reducción en F1-12 y F1-13 en el modo de programación avanzada.
3. Utilice el autotuning dinámico para incrementar la exactitud del autotuning siempre que el motor esté en condiciones de ser operado.
4. Si el cable del motor cambia a 50 m o más para la instalación real, realice autotuning estático para la resistencia línea a línea solamente in situ.
5. El modo de control predeterminado es control vectorial de lazo abierto (A1-02=2).
6. Si la frecuencia de salida máxima y la frecuencia base son diferentes, configure la frecuencia de salida máxima (E1-04) después del autotuning.

Fig. 8 Diagrama de flujo de operación de prueba



---

## ◆ Antes del encendido

Se deben comprobar los siguientes puntos detenidamente antes de conectar la alimentación.

- Compruebe que la tensión de alimentación cumple la especificación del variador.
- Compruebe que los cables de la fuente de alimentación están conectados firmemente a los terminales adecuados (L1, L2, L3).
- Compruebe que los cables del motor están conectados firmemente a los terminales adecuados del variador (U, V, W), así como en el motor.
- Compruebe que la unidad/resistencia de frenado está conectada correctamente.
- Compruebe que el terminal del circuito de control del variador y el dispositivo de control están cableados correctamente.
- Configure todos los terminales del circuito de control como OFF.
- Si se utiliza una tarjeta PG, compruebe que está cableada correctamente.

---

## ◆ Display después del encendido

Tras un encendido normal sin problemas el display del operador muestra los siguientes mensajes

Display para operación normal

-DRIVE-	Rdy
Ref. Frecuencia	
U1- 01=50,00 Hz	
U1-02=50,00Hz	
U1-03=10,05A	

La monitorización de referencia de frecuencia se visualiza en la sección de display de datos.

Cuando se produce un error o una alarma está activa, aparecerá un mensaje de error o alarma. En tal caso, consulte la [página 21, Detección y corrección de errores](#).

Display para operación fallida

-DRIVE-
UV
Subtensión Bus c.c.

En el display se muestra un mensaje de error o alarma. En el ejemplo se muestra una alarma de tensión baja.

---

## ◆ Autotuning

El autotuning configura los parámetros del motor automáticamente cuando se utiliza el control vectorial de lazo abierto o de lazo cerrado, cuando el cable es largo o cuando la instalación ha cambiado.

### ■ Configuración del modo de autotuning

Se puede configurar cualquiera de los tres modos de autotuning siguientes:

- Autotuning dinámico
- Autotuning estático
- Autotuning estático solamente para resistencia línea a línea

#### Autotuning dinámico (T1-01 = 0)

El autotuning dinámico solamente es utilizado para el control vectorial de lazo abierto y lazo cerrado. Configure T1-01 como 0, introduzca los datos de la placa del motor, y pulse la tecla RUN del Operador Digital. El variador operará el motor durante aproximadamente 1 minuto y configurará los parámetros del motor requeridos automáticamente.

### Autotuning estático (T1-01 = 1)

El autotuning estático solamente es utilizado para el control vectorial de lazo abierto y lazo cerrado. Configure T1-01 como 1, introduzca los datos de la placa del motor, y pulse la tecla RUN del Operador Digital. El variador suministrará potencia al motor estático durante aproximadamente 1 minuto y algunos de los parámetros del motor serán configurados automáticamente. El resto de los parámetros del motor serán configurados automáticamente al principio de la operación.

### Autotuning estático para resistencia línea a línea (T1-01 =2)

El autotuning estático para resistencia línea a línea puede ser utilizado en cualquier modo de control. Este es el único autotuning posible para control V/f y control V/f con PG.

Puede ser utilizado para mejorar el rendimiento cuando el cable del motor es largo, la longitud del cable ha cambiado o cuando el motor y el variador tienen diferentes capacidades.

Para realizar el autotuning en control V/f o en control V/f con PG, configure T1-02 (Potencia nominal del motor) y T1-04 (Corriente nominal del motor) y pulse posteriormente la tecla RUN del Operador Digital. El variador suministrará potencia al motor estático durante aproximadamente 20 segundos y serán medidas la resistencia línea a línea y la resistencia del cable del motor automáticamente.



1. Durante el autotuning se suministrará potencia al motor aunque el motor no girará. No toque el motor hasta que el autotuning haya finalizado.
2. Asegúrese de que todos los contactores de motor están cerrados antes de iniciar el autotuning.
3. Para cancelar el autotuning pulse la tecla STOP del operador digital.

### ■ Otras alarmas y errores durante autotuning.

Para obtener un resumen de las posibles alarmas o errores de autotuning y las acciones correctivas, consulte la [página 24, Fallos de autotuning](#).

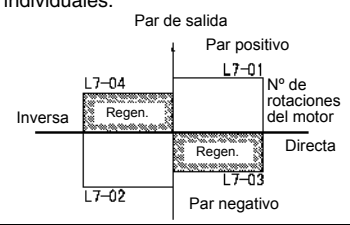
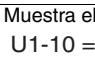
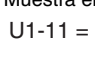
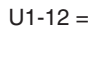
# Parámetro de usuario

Número de parámetro	Nombre	Descripción
<b>Inicializar datos</b>		
A1-00	Selección de idioma para el display del operador digital (sólo JVOP-160-OY)	<b>0: Inglés</b> 2: Alemán 3: Francés 4: Italiano 5: Español 6: Portugués
A1-01	Nivel de acceso a parámetros	<b>0: Sólo monitorización (monitorización del modo Drive y configuración de A1-01 y A1-04).</b> 1: Se utiliza para seleccionar parámetros de usuario (solamente pueden leerse y configurarse parámetros configurados de A2-01 a A2-32) 2: Avanzado (Pueden leerse y configurarse parámetros tanto en el modo de programación rápida (Q) como en el modo de programación avanzada (A)).
A1-02	Selección del método de control	<b>0: Control V/f</b> 1: Control V/f con PG 2: Control vectorial de lazo abierto 3: Control vectorial de lazo cerrado
A1-03	Inicializar	0: Sin inicialización 1110: Inicializa utilizando los parámetros de usuario 2220: Inicializa utilizando una secuencia de dos hilos. (inicializa según la configuración de fábrica). 3330: Inicializa utilizando una secuencia de tres hilos.
<b>Origen de secuencia/referencia</b>		
b1-01	Selección de fuente de referencia	Configura el método de entrada de referencia de frecuencia. <b>0: Operador digital</b> 1: Terminal de circuito de control (entrada analógica) 2: Comunicaciones serie (RS422/485) 3: Tarjeta opcional
b1-02	Fuente de selección comando RUN	Configura el método de introducción del comando RUN. <b>0: Operador digital</b> 1: Terminal de circuito de control (entradas digitales) 2: Comunicaciones serie (RS422/485) 3: Tarjeta opcional
b1-03	Selección de método de parada	Selecciona el método de parada cuando se retira la señal RUN <b>0: Parada por deceleración</b> 1: Parada por marcha libre 2: Inyección de c.c. a la parada 3: Marcha libre a la parada con temporizador (no se tienen en cuenta los comandos Run durante la marcha libre.)
b1-04	Prohibición de operación en marcha inversa	<b>0: Marcha inversa activada</b> 1: Marcha inversa desactivada 2: Rotación de fase de salida (activados ambos sentidos de rotación) 3: Rotación de fase de salida con la marcha inversa desactivada.
<b>Configuración de aceleración/deceleración</b>		
C1- <input type="checkbox"/>	Tiempos de aceleración/deceleración	Configura el tiempo para acelerar/decelerar de 0 Hz a la frecuencia de salida máxima.
<b>Configuración de la curva S</b>		
C2- <input type="checkbox"/>	Tiempo de característica de la curva S en la aceleración	Configura la característica de la curva S al inicio y al final de la aceleración.

Número de parámetro	Nombre	Descripción
<b>Compensación de deslizamiento del motor (no disponible en V/f con PG)</b>		
C3-01	Ganancia de compensación de deslizamiento	Se utilizar para mejorar la precisión de la velocidad • Aumentar si la frecuencia de salida es demasiado baja. • Disminuir si la frecuencia de salida es demasiado alta.
C3-02	Tiempo de retardo de la compensación de deslizamiento (sólo disponible en V/f y OLV)	Configura el tiempo de retardo de la compensación de deslizamiento • Aumentar si la frecuencia de salida no es estable. • Reducir si la capacidad de respuesta de compensación de deslizamiento es baja.
<b>Control de velocidad (ASR) (sólo disponible en V/f con PG y CLV)</b>		
C5-01	Ganancia proporcional 1 de ASR	Configura la ganancia proporcional del lazo de velocidad (ASR)
C5-02	Tiempo de integral 1 de ASR	Configura el tiempo de integral del lazo de velocidad (ASR)
C5-03	Ganancia proporcional 2 de ASR	<p>P.I. ↑ 0 ————— E1-04 ————— Motor del motor (Hz)</p> <p>P = C5-01 I = C5-02</p> <p>P = C5-03 I = C5-04</p>
C5-04	Tiempo de integral 2 de ASR	
C5-06	Tiempo de retardo de ASR (sólo CLV)	Configura la constante de tiempo del filtro ASR.
C5-07	Frecuencia de alternancia de ASR (sólo CLV)	Configura la frecuencia para la alternancia entre la ganancia ASR 1, 2 y el tiempo de integral ASR 1, 2
C5-08	Límite de integral de ASR (sólo CLV)	Configura el límite para la parte de integral del controlador ASR.
<b>Frecuencia de portadora</b>		
C6-01	Selección de régimen de trabajo alto/normal	<b>0: Régimen de trabajo alto</b> 1: Régimen de trabajo normal 1 2: Régimen de trabajo normal 2
C6-02	Selección de frecuencia de portadora	Selecciona la frecuencia de portadora (la configuración de fábrica depende la capacidad del variador) <b>0: Ruido bajo, portadora baja</b> 1: 2,0 kHz 2: 5,0 kHz 3: 8,0 kHz 4: 10,0 kHz 5: 12,5 kHz 6: 15,0 kHz F: Patrón programable
<b>Configuración de velocidad</b>		
d1-01 a d1-16	Referencias de multivelocidad 1 a 16	Configura las referencias de multivelocidad.
d1-17	Referencia de frecuencia de operación jog	
<b>Control de par (sólo disponible en CLV)</b>		
d5-01	Selección de control de par	<b>0: Control de velocidad</b> 1: Control de par
d5-06	Temporizador de alternancia de control de velocidad/par	Configura el retardo para introducir una señal de "cambio de control de velocidad/par" (mediante entrada digital) hasta que el control cambia realmente
<b>Configuración de la curva V/f</b>		
E1-01	Configuración de la tensión de entrada	Esta configuración se utiliza como valor de referencia para funciones de protección.

Número de parámetro	Nombre	Descripción
E1-04	Frecuencia de salida máx. (FMAX)	<p>Tensión de salida (V)</p> <p>VMAX (E1-05) (VBASE) (E1-13)</p> <p>VB (E1-08) VMIN (E1-10)</p> <p>FMIN (E1-09) FB (E1-07) FA (E1-06) FMAX (E1-04)</p> <p>Frecuencia (Hz)</p> <p>Para configurar las características de V/f en una línea recta, configure los mismos valores para E1-07 y E1-09. En este caso la configuración para E1-08 no será tenida en cuenta. Asegúrese siempre de que las cuatro frecuencias están configuradas en el siguiente orden: E1-04 (FMAX) ≥ E1-06 (FA) &gt; E1-07 (FB) ≥ E1-09 (FMIN)</p>
E1-05	Tensión de salida máx. (VMAX)	
E1-06	Frecuencia base (FA)	
E1-13	Tensión base (VBASE)	
<b>Configuración de datos de motor</b>		
E2-01	Corriente nominal del motor	Configura la velocidad nominal del motor.
E2-02	Deslizamiento nominal del motor	
E2-03	Corriente en vacío del motor	
E2-04	Número de polos del motor	
E2-09	Pérdidas mecánicas del motor	
E2-11	Potencia de salida nominal del motor	
<b>Ajuste de la opción de PG</b>		
F1-01	Constante de PG	Configura el número de pulsos por revolución del PG
F1-05	Rotación de PG	<b>0: Fase A para comando de marcha directa</b> 1: Fase B para comando de marcha directa
<b>Configuración de E/S digitales</b>		
H1-01 a H1-05	Selección de función de terminal S3 a S7	Consulte en la <a href="#">página 20, Selecciones de función de entradas digitales (H1-01 a H1-05)</a> una lista de selecciones
H2-01 y H2-02	Selección de función de terminal M1-M2 y M3-M4	Consulte en la <a href="#">página 20, Selecciones de función de salidas digitales</a> una lista de selecciones
<b>Configuración de E/S analógicas</b>		
H3-08	Selección de nivel de señal de entrada analógica	Selecciona la entrada de nivel de señal en la entrada analógica multifuncional A2. <b>0: 0 a +10 V (11 bits).</b> 1: -10 a +10 V 2: 4 a 20 mA (entrada de 9 bits). Asegúrese de cambiar S1-2 a "V" antes de utilizar una entrada de tensión.
H3-09	Selección de función de entrada analógica A2.	Selecciona la función de entrada analógica multifuncional para el terminal A2.
H3-13	Alternancia de terminal A1/A2	Selecciona en qué terminal se puede introducir la referencia de frecuencia principal. <b>0: Utilice la entrada analógica 1 en el terminal A1 para la referencia de frecuencia principal.</b> 1: Utilice la entrada analógica 2 en el terminal A2 para la referencia de frecuencia principal.

Número de parámetro	Nombre	Descripción
H4-01	Selección de monitorización de terminal FM	Configura el número del elemento de monitorización que se enviará (U1-□□) en el terminal FM/AM.
H4-04	Selección de monitorización de terminal AM	
<b>E/S de tren de pulsos</b>		
H6-01	Selección de función de entrada de tren de pulsos	Selecciona la función de entrada del tren de pulsos <b>0: Referencia de frecuencia</b> 1: Valor de realimentación PID 2: Valor consigna PID
H6-02	Escala de entrada de tren de pulsos	Configura el número de pulsos en Hz que es equivalente al 100% del elemento de entrada seleccionado en H6-01.
H6-06	Selección de monitorización de tren de pulsos	Selecciona el elemento de salida de monitorización de tren de pulsos (U1-□□)
H6-07	Escala de monitorización de pulsos	Configura el número de pulsos puestos en salida en Hz cuando el elemento de monitorización es 100%.
<b>Prevención de bloqueo</b>		
L3-01	Selección de prevención de bloqueo durante aceleración (no disponible en CLV)	<b>0: Desactivada (Aceleración como configurada. Con una carga alta, el motor puede bloquearse).</b> 1: Activada (la aceleración se detiene cuando se excede el nivel L3-02. La aceleración comienza de nuevo cuando la corriente cae por debajo del nivel de prevención de bloqueo). 2: Modo de aceleración inteligente (utilizando el nivel L3-02 como base la aceleración se ajusta automáticamente. El tiempo de aceleración configurado no se tiene en cuenta).
L3-04	Selección de prevención de bloqueo durante deceleración	<b>0: Desactivada (Deceleración como configurada. Si el tiempo de deceleración es demasiado corto, puede producirse una sobretensión en el bus de c.c..)</b> 1: Activada (Se detiene la deceleración cuando la tensión del bus de c.c. excede el nivel de prevención de bloqueo. La deceleración se reinicia cuando la tensión vuelve a caer por debajo del nivel de prevención de bloqueo). 2: Modo inteligente de deceleración (La relación de deceleración se ajusta automáticamente de tal manera que el variador pueda decelerar en el tiempo más corto posible. El tiempo de deceleración configurado no se tiene en cuenta). 3: Activado con resistencia de freno
<b>Rearranque por fallo</b>		
L5-01	Número de intentos de autoarranque	Configura el número de intentos de autoarranque. Rearranca automáticamente tras un fallo y realiza una búsqueda de velocidad desde la frecuencia de marcha.
L5-02	Selección de operación de autoarranque	Configura si un relé de fallo se activa durante el rearranque por fallo. <b>0: Sin salida (relé de fallo no es activado.)</b> 1: Salida (el relé de fallo se activa.)

Número de parámetro	Nombre	Descripción
<b>Límite de par (sólo OVL y CLV)</b>		
L7-01	Límite de par de marcha directa	Configura el valor del límite de par como un porcentaje del par nominal del motor. Pueden configurarse cuatro regiones individuales. 
L7-02	Límite de par de marcha inversa	
L7-03	Límite de par regenerativo de marcha directa	
L7-04	Límite de par regenerativo de marcha inversa	
<b>Datos monitorizados</b>		
U1-01	Referencia de frecuencia en Hz/r.p.m.	
U1-02	Frecuencia de salida en Hz/r.p.m.	
U1-03	Corriente de salida en A	
U1-06	Tensión de salida en Vc.a.	
U1-07	Tensión de bus de c.c. en Vc.c.	
U1-08	Potencia de salida en kW	
U1-09	Referencia de par	
U1-10	Estado de terminal de entrada	Muestra el estado de entrada ON/OFF. U1-10 =  <ul style="list-style-type: none"> <li>1: Comando FWD (S1) está en ON</li> <li>1: Comando RWD (S2) está en ON</li> <li>1: Entrada múltiple 1 (S3) está en ON</li> <li>1: Entrada múltiple 2 (S4) está en ON</li> <li>1: Entrada múltiple 3 (S5) está en ON</li> <li>1: Entrada múltiple 4 (S6) está en ON</li> <li>1: Entrada múltiple 5 (S7) está en ON</li> </ul>
U1-11	Estado de terminal de salida	Muestra el estado de salida ON/OFF. U1-11 =  <ul style="list-style-type: none"> <li>1: Salida de contacto multifuncional 1 (M1-M2) está en ON</li> <li>1: Salida de contacto multifuncional 2 (M3-M4) está en ON</li> <li>1: Salida de contacto multifuncional 3 (M5-M6) está en ON</li> <li>No se utiliza (siempre 0)</li> <li>1: Salida de error (MA/MB-MC) está en ON</li> </ul>
U1-12	Estado de operación	Estado de operación del variador. U1-12 =  <ul style="list-style-type: none"> <li>Marcha directa</li> <li>1: Velocidad cero</li> <li>1: Inversa</li> <li>1: Entrada de señal de reset</li> <li>1: Velocidad alcanzada</li> <li>1: Variador preparado</li> <li>1: Fallo leve</li> <li>1: Fallo grave</li> </ul>
U1-13	Tiempo de operación acumulativo en horas	
U1-21	Entrada ASR	
U1-22	Salida ASR	
U1-34	Parámetro de fallo OPE	
U1-40	Tiempo de operación acumulativo de refrigeración en horas	

Número de parámetro	Nombre	Descripción
<b>Datos de seguimiento de fallos</b>		
U2-01	Fallo actual	
U2-02	Último fallo	
U2-03	Referencia de frecuencia en el fallo	
U2-04	Frecuencia de salida en el fallo	
U2-05	Corriente de salida en el fallo	
U2-07	Referencia de tensión de salida en el fallo	
U2-08	Tensión del bus de c.c. en el fallo	
U2-09	Potencia de salida en el fallo	
U2-11	Estado de terminal de entrada en el fallo	
U2-12	Estado de terminal de salida en el fallo	
U2-13	Estado de operación en el fallo	
U2-14	Tiempo de operación acumulativo en el fallo	
<b>Datos de histórico de fallos</b>		
U3-01 a U3-04	Del último al cuarto fallo	
U3-05 a U3-08	Tiempo de operación acumulativo en el fallo 1 a 4	
U3-09 a U3-14	Del quinto al décimo fallo	
U3-15 a U3-20	Tiempo acumulado del quinto al décimo fallo	
* Los siguientes fallos no se guardan en el registro de errores: CPF00, 01, 02, 03, UV1, y UV2.		
<b>Selecciones de función de entradas digitales (H1-01 a H1-05)</b>		
3	Referencia de multivelocidad 1	
4	Referencia de multivelocidad 2	
5	Referencia de multivelocidad 3	
6	Comando de frecuencia de operación jog (prioridad más alta que la referencia de multivelocidad)	
7	Selección de tiempo Acel/decel 1	
A	No se utiliza (configurado cuando un terminal no se usa)	
14	Reset de fallo (reset si en ON)	
19	Desactivación de control PI	
20 a 2F	Fallo externo, modo de entrada: Contacto NA/contacto NC, Modo de detección: Normal/durante operación	
71	Cambio de control de velocidad/par (ON: Control de par)	
77	Ganancia de control de velocidad (ASR) Alternar (ON: C5-03)	
<b>Selecciones de función de salidas digitales (H2-01 y H2-02)</b>		
0	Durante marcha 1 (ON: el comando RUN está en ON o hay salida de tensión)	
6	Variador listo para operación; READY: Tras inicialización o sin fallos	
A	No se utiliza. (Configurado cuando el terminal no se utiliza).	
10	Fallo leve (alarma) (ON: alarma visualizada)	
1A	Durante marcha inversa (ON: durante marcha inversa)	
1F	Prealarma de sobrecarga del motor (OL1, incluso OH3) (ON: 90% o más del nivel de detección)	
30	durante el límite de par (límite de corriente) (ON: durante el límite de par)	
32	Se activa si el ASR está operando para el límite de par. La salida ASR se convierte en la referencia de par y el motor gira al límite de velocidad.	

# Detección y corrección de errores

## ◆ Alarmas y fallos generales

Los fallos y las alarmas indican un estado anómalo del variador/aplicación.

Una alarma no desconecta necesariamente el variador, sino que se muestra un mensaje en el teclado (es decir, un código de alarma que parpadea) y se puede generar una salida de alarma en las salidas multifuncionales (H2-01 a H2-02) si así se ha programado. Una alarma desaparece automáticamente si ya no está presente la condición de alarma.

Un fallo desconecta la salida del variador inmediatamente, se muestra un mensaje en el teclado y se conmuta la salida de fallo. Se debe hacer un reset manual del fallo después de haber eliminado la causa y la señal RUN.

En la siguiente tabla se muestra una lista de fallos y alarmas con sus acciones correctivas.

Display	Alarma	Fallo	Significado	Acciones correctivas
BUS Option Com Err	○		Alarma de comunicaciones de tarjeta opcional Tras haber establecido la comunicación inicial se ha perdido la comunicación.	Compruebe las conexiones y todas las configuraciones de usuario del software.
CF Out of Control		○	Fallo de control Se ha alcanzado continuamente un límite de par durante 3 segundos o más durante una deceleración a la parada en control vectorial de lazo abierto.	Compruebe los parámetros de motor.
CPF00 COM- ERR(OP&INV)		○	Fallo de comunicación del operador digital 1/2 • Fallo de comunicación entre el operador y el variador • Fallo de RAM de CPU externa	<ul style="list-style-type: none"> <li>• Desconecte el operador digital y vuelva a conectarlo.</li> <li>• Conecte/desconecte la fuente de alimentación del variador.</li> <li>• Sustituya el variador.</li> </ul>
CPF01 COM- ERR(OP&INV)				
CPF02 BB Circuit Err	○			
CPF03 EEPROM Error		○	CPF03 EEPROM Error	<ul style="list-style-type: none"> <li>• Realice una inicialización a valores predeterminados de fábrica.</li> <li>• Conecte/desconecte la fuente de alimentación del variador.</li> <li>• Sustituya el variador.</li> </ul>
CPF04 INternal A/D Err		○	CPF04 Fallo convertidor A/D interno CPU	
DEV Speed Deviation		○	F1-04 = 0, 1 ó 2 y A1-02 = 1 ó 3 La desviación de la velocidad ha sido mayor que la configuración de F1-10 durante un tiempo superior a la configuración de F1-11.	<ul style="list-style-type: none"> <li>• Disminuya la carga.</li> <li>• Amplíe los tiempos de aceleración y deceleración.</li> <li>• Compruebe el sistema mecánico.</li> <li>• Compruebe las configuraciones de F1-10 y F1-11.</li> <li>• Compruebe la secuencia y si el freno se activa cuando el variador empieza a aumentar la velocidad.</li> </ul>
	○	○	F1-04 = 3 y A1-02 = 1 ó 3 La desviación de la velocidad ha sido mayor que la configuración de F1-10 durante un tiempo superior a la configuración de F1-11.	
EF External Fault	○		Comandos de marcha directa/inversa introducidos a la vez Los comandos de marcha directa y de marcha inversa se han introducido simultáneamente durante 500 ms o más. Esta alarma detiene el motor.	Compruebe la lógica de la secuencia externa, de tal manera que solamente se active una entrada cada vez.
EF0 Opt External Flt		○	Entrada de fallo externo desde tarjeta opcional de comunicaciones	<ul style="list-style-type: none"> <li>• Compruebe la existencia de condición de fallo externo.</li> <li>• Verifique los parámetros.</li> <li>• Verifique las señales de comunicaciones.</li> </ul>
EFx Ext Fault Sx	○	○	Fallo externo en el terminal Sx (x se refiere a los terminales S3 a S7)	Elimine la causa de la condición de fallo externo.
Ext Run Active Cannot Reset	○		Se detecta después de un fallo cuando se recibe un comando RESET mientras el comando RUN sigue activo	Retire en primer lugar la señal RUN y resetee el error.
GF Ground Fault		○	Fallo de tierra La corriente de tierra en la salida del variador ha excedido el 50% de la corriente nominal de salida del variador y L8-09 = 1 (activado).	<ul style="list-style-type: none"> <li>• Retire el motor y haga funcionar el variador sin el motor.</li> <li>• Compruebe la existencia de alguna fase del motor cortocircuitada a tierra.</li> <li>• Compruebe la corriente de salida con un amperímetro de pinza para verificar la lectura de DCCT.</li> <li>• Compruebe la existencia de señales de contactor de motor erróneas en la secuencia de control.</li> </ul>

Display	Alarma	Fallo	Significado	Acciones correctivas
OC Over Current		○	Sobrecorriente La corriente de salida ha excedido el nivel de detección de sobrecorriente.	<ul style="list-style-type: none"> <li>Retire el motor y haga funcionar el variador sin el motor.</li> <li>Compruebe la existencia de cortocircuito fase a fase en el motor.</li> <li>Verifique los tiempos de aceleración/ deceleración (C1-□□).</li> <li>Compruebe la existencia de cortocircuito fase a fase en la salida del variador.</li> </ul>
OH Heatsnk Overtemp		○	Sobrecalentamiento del disipador térmico L8-03 = 0,1 ó 2 y la temperatura del ventilador de refrigeración del variador ha excedido el valor de L8-02. Se ha detenido el ventilador de refrigeración del variador	<ul style="list-style-type: none"> <li>Compruebe la existencia de suciedad en el ventilador o el dispositivo de disipación térmica.</li> <li>Reduzca la temperatura ambiente alrededor del variador.</li> <li>Sustituya el(los) ventiladores de refrigeración.</li> </ul>
		○	L8-03 = 3 ó 4 y la temperatura del ventilador de refrigeración del variador ha excedido el valor de L8-02.	
OH1 Heatsink Max Temp		○	Sobrecalentamiento del disipador térmico La temperatura del disipador térmico del variador ha excedido 105°C. Se ha detenido el ventilador de refrigeración del variador	<ul style="list-style-type: none"> <li>Compruebe la existencia de suciedad en el ventilador o el dispositivo de disipación térmica.</li> <li>Reduzca la temperatura ambiente alrededor del variador.</li> <li>Sustituya el(los) ventiladores de refrigeración.</li> </ul>
		○	L8-03 = 3 ó 4 y la temperatura del ventilador de refrigeración del variador ha excedido el valor de L8-02.	
OL1 Motor Overload		○	Sobrecarga del motor Se detecta cuando L1-01 está configurado en 1, 2 ó 3 y el valor I <sub>pt</sub> del variador ha excedido la curva de sobrecarga. La curva de sobrecarga es ajustable utilizando el parámetro E2-01 (Corriente nominal del motor), L1-01 (Selección de protección del motor) y L2-02 (Constante de tiempo de protección del motor)	<ul style="list-style-type: none"> <li>Compruebe de nuevo el tiempo de conexión/desconexión y el tamaño de la carga, así como los tiempos de aceleración/deceleración (C1-□□).</li> <li>Compruebe las características de V/f (E1-□□).</li> <li>Compruebe la configuración de la corriente nominal del motor (E2-01).</li> </ul>
OL2 Inv Overload		○	Sobrecarga del variador La corriente de salida del variador ha excedido la capacidad de sobrecarga del variador.	<ul style="list-style-type: none"> <li>Compruebe de nuevo el tiempo de conexión/desconexión y el tamaño de la carga, así como los tiempos de aceleración/deceleración (C1-□□).</li> <li>Compruebe las características de V/f (E1-□□).</li> <li>Compruebe la corriente nominal del variador coincide con la corriente nominal del motor.</li> </ul>
OS Overspeed Det.		○	F1-03 = 0, 1 ó 2 y A1-02 = 1 ó 3 La realimentación de velocidad del motor (U1-05) ha excedido la configuración de F1-08 durante un periodo de tiempo superior a la configuración de F1-09.	<ul style="list-style-type: none"> <li>Ajuste las configuraciones del ASR en el grupo de parámetros C5.</li> <li>Compruebe el circuito de referencia y la ganancia de referencia.</li> <li>Compruebe las configuraciones de F1-08 y F1-09</li> </ul>
		○	F1-03 = 3 y A1-02 = 1 ó 3 La realimentación de velocidad del motor (U1-05) ha excedido la configuración de F1-08 durante un periodo de tiempo superior a la configuración de F1-09.	
OV DC Bus Overvolt	○ (sólo en condición de parada)	○	La tensión del bus de c.c. ha excedido el nivel de detección de sobretensión. Los niveles de detección predeterminados son: Clase 200 V: 410 Vc.c. Clase 400 V: 820 Vc.c.	<ul style="list-style-type: none"> <li>Incremente el tiempo de deceleración (C1-02/04) o conecte una opción de freno.</li> <li>Compruebe la fuente de alimentación y disminuya la tensión para adecuarla a las especificaciones del variador.</li> <li>Compruebe la resistencia/interruptor cíclico de freno.</li> </ul>
PF Input Phase Loss		○	Pérdida de fase de entrada Fluctuación de tensión de bus de c.c. demasiado grande. Sólo se detecta cuando L8-05 = 1 (activado)	<ul style="list-style-type: none"> <li>Apriete los tornillos de los terminales de entrada</li> <li>Compruebe la tensión de alimentación</li> </ul>
PGO PG Open		○	Desconexión del PG Se detecta cuando F1-02 = 0, 1 ó 2 y A1-02 = 1 ó 3. Se detecta cuando no se han recibido pulsos de PG (encoder) durante un tiempo superior a la configuración de F1-14.	<ul style="list-style-type: none"> <li>Repare el cableado interrumpido/desconectado.</li> <li>Suministre alimentación al PG adecuadamente.</li> <li>Compruebe la secuencia y si el freno se activa cuando el variador empieza a aumentar la velocidad.</li> </ul>
		○	Desconexión del PG Detectada cuando F1-02 = 3 y A1-02 = 1 ó 3. No se han recibido pulsos de PG (encoder) durante un tiempo superior a la configuración de F1-14.	

Display	Alarma	Fallo	Significado	Acciones correctivas
PUF DC Bus Fuse Open		○	Fusible de bus de c.c. abierto El fusible del circuito principal está fundido. Advertencia: No se han recibido pulsos de PG (encoder) durante un tiempo superior a la configuración de F1-14.	<ul style="list-style-type: none"> <li>• Compruebe la existencia de cortocircuito o fallos de aislamiento en el motor y en los cables del motor (fase a fase).</li> <li>• Sustituya el variador tras solucionar el fallo.</li> </ul>
RR DynBrk Transistr		○	Transistor del freno dinámico Ha fallado el transistor del freno dinámico incorporado.	<ul style="list-style-type: none"> <li>• Conecte/desconecte la alimentación del variador.</li> <li>• Sustituya el variador.</li> </ul>
UV1 DC Bus Undervolt	○ (sólo en condición de parada)	○	La tensión del bus de c.c. está por debajo del nivel de detección de tensión insuficiente (L2-05). La configuración predeterminada es: Clase 200 V: 190 Vc.c. Clase 400 V: 380 Vc.c.	<ul style="list-style-type: none"> <li>• Compruebe la tensión de entrada.</li> <li>• Compruebe el cableado de los terminales de entrada.</li> <li>• Compruebe la tensión de entrada y el cableado de los terminales de entrada.</li> <li>• Aumente la configuración de C1-01/03</li> </ul>
UV2 CTL PS Undervolt		○	Fallo de operación de circuito principal MC Sin respuesta de MC durante la operación del variador.	Sustituya el variador.
		○	Tensión insuficiente de la fuente de alimentación de control Tensión insuficiente del circuito de control mientras el variador estaba en funcionamiento.	<ul style="list-style-type: none"> <li>• Retire todas las conexiones a los terminales de control y conecte/desconecte la alimentación del variador.</li> <li>• Sustituya el variador.</li> </ul>

## ◆ Errores de programación del operador

Un error de programación del operador (OPE) se produce cuando se configuran incorrectamente dos o más parámetros relacionados entre sí o una configuración de parámetro individual es incorrecta. El variador no opera hasta que el valor del parámetro se corrija; a pesar de todo, no se producirán otras salidas de alarma o fallo. Si ocurre un OPE, cambie el parámetro relacionado comprobando la causa mostrada en la tabla siguiente. Cuando se visualice un error OPE, pulse la tecla ENTER para ver U1-34 (OPE Detectado). Se visualiza el parámetro que está causando el error OPE.

Display	Significado	Acciones correctivas
OPE01 kVA Selection	Error de configuración de kVA del variador	Introduzca la configuración de kVA correcta en o2-04.
OPE02 Limit	Configuración de parámetro fuera de su rango	Verifique la configuración del parámetro.
OPE03 Terminal	Se ha producido uno de los siguientes errores en la configuración de entrada multifuncional (H1-01 a H1-05): <ul style="list-style-type: none"> <li>• Se han seleccionado funciones duplicadas.</li> <li>• Los comandos UP/DOWN (10 y 11) no han sido seleccionados simultáneamente.</li> <li>• Los comandos UP/DOWN (10 y 11) y Mantenimiento de rampa acel/decel (A) han sido seleccionados simultáneamente.</li> <li>• Más de una de las entradas de búsqueda de velocidad (61, 62, 64) fueron configuradas simultáneamente.</li> <li>• Se han seleccionado simultáneamente los baseblocks externos NA (8) y NC (9).</li> <li>• Los comandos UP/DOWN (10 y 11) se han seleccionado mientras el control PID (b5-01) estaba activado.</li> <li>• Se han configurado simultáneamente los comandos de parada de emergencia NA (15) y NC (17).</li> <li>• PID está activado y los comandos UP/DOWN (10 y 11) están configurados.</li> <li>• Comandos HSB (68) y KEB (65/66) configurados simultáneamente.</li> </ul>	Verifique la configuración del parámetro en H1-□□
OPE05 Sequence Select	Error de selección de comando RUN/referencia La selección de fuente de referencia b1-01 y/o el parámetro de selección de fuente RUN b1-02 están configurados como 3 (tarjeta opcional), pero no hay ninguna tarjeta opcional instalada.	<ul style="list-style-type: none"> <li>• Verifique que la tarjeta está instalada. Desconecte la alimentación y vuelva a instalar la tarjeta opcional</li> <li>• Compruebe de nuevo la configuración de b1-01 y b1-02.</li> </ul>



Display	Significado	Acciones correctivas
OPE06 PG Opt Missing	Error de selección del método de control Se ha seleccionado uno de los métodos de control que necesitan realimentación de PG (A1-02 = 1 ó 3), pero no hay instalada tarjeta opcional de PG.	Verifique la selección del método de control en el parámetro A1-02 y/o la instalación de la tarjeta opcional de PG.
OPE08 Constant Selection	Error de selección de función Ha sido hecha una configuración que no es aplicable con método de control actual. Ejemplo: Se ha seleccionado una función utilizada solamente con control vectorial de lazo abierto para control V/f.	Verifique el método de control y la función.
OPE010 V/f Ptrn Setting	Error de configuración del parámetro V/f	Compruebe los parámetros (E1-□□). Un valor de frecuencia/tensión puede estar configurado más alto que la frecuencia/tensión máxima.

## ◆ Fallos de autotuning

En este apartado se muestran los fallos de autotuning. Cuando se detectan los siguientes fallos, el fallo se visualiza en el operador digital y el motor marcha libre hasta detenerse. No se operan salidas de fallo o alarma.

Display	Significado	Acciones correctivas
Er-01 Fault	Fallo de datos del motor	<ul style="list-style-type: none"> <li>• Compruebe los datos de entrada.</li> <li>• Compruebe la capacidad del motor y del variador.</li> <li>• Compruebe la configuración de corriente nominal y la corriente en vacío del motor.</li> </ul>
Er-02 Minor Fault	Alarma	<ul style="list-style-type: none"> <li>• Compruebe los datos de entrada.</li> <li>• Compruebe el cableado y la máquina.</li> <li>• Compruebe la carga.</li> </ul>
Er-03 STOP key	Pulsación de la tecla STOP	-
Er-04 Resistance	Fallo de resistencia de línea a línea El resultado de autotuning está fuera del rango de ajuste del parámetro.	<ul style="list-style-type: none"> <li>• Compruebe los datos de entrada.</li> <li>• Compruebe el cableado del motor.</li> </ul>
Er-05 No-Load Current	Fallo de corriente en vacío El resultado de autotuning está fuera del rango de ajuste de parámetro.	<ul style="list-style-type: none"> <li>• Si el motor está conectado a la máquina, desconéctelo.</li> <li>• Si la configuración de T1-03 es mayor que la tensión de alimentación de entrada del variador (E1-01), cambie los datos de entrada.</li> </ul>
Er-08 Rated slip	Fallo de desplazamiento nominal El resultado de autotuning está fuera del rango de ajuste de parámetro.	
Er-09 Aceleración	Error de aceleración (sólo autotuning dinámico) El motor no ha acelerado en el tiempo especificado (C1-10+10 seg.)	<ul style="list-style-type: none"> <li>• Incremente C1-01 (tiempo de aceleración)</li> <li>• Aumente L7-01 y L7-02 (límites de par)</li> <li>• Si el motor está conectado a la máquina, desconéctelo.</li> </ul>
Er-11 Motor Speed	Error de velocidad del motor (sólo autotuning dinámico) La referencia de par ha excedido 100% durante la aceleración. Detectado sólo cuando A1-02 = 2 ó 3 (modos de control vectorial).	<ul style="list-style-type: none"> <li>• Si el motor está conectado a la máquina, desconéctelo.</li> <li>• Incremente C1-01</li> <li>• Compruebe los datos de entrada (especialmente el número de pulsos de PG y el número de polos del motor).</li> </ul>
Er-12 I-det. Circuit	Fallo de detección de corriente <ul style="list-style-type: none"> <li>• La corriente ha excedido la corriente nominal del motor.</li> <li>• Alguno de los U/T1, V/T2 y W/T3 tiene fase abierta.</li> </ul>	Compruebe el cableado del variador y del montaje.
Er-13 Leakage Inductance Fault	Fallo de inductancia de fuga El resultado de autotuning está fuera del rango de ajuste de parámetro.	Compruebe el cableado del motor.
End-1 V/f Over Setting	Alarma de configuración de corriente nominal Se visualiza después de completado el autotuning Durante el autotuning, el valor medido de la corriente nominal del motor (E2-01) era mayor que el valor seleccionado.	Compruebe el valor de la corriente nominal del motor.
End-2 Saturation	Alarma de saturación del núcleo del motor (sólo para autotuning dinámico)	<ul style="list-style-type: none"> <li>• Compruebe los datos de entrada.</li> <li>• Compruebe el cableado del motor.</li> <li>• Si el motor está conectado a la máquina, desconéctelo.</li> </ul>
End-3 Rated FLA Alm	Alarma de configuración de corriente nominal Durante el autotuning, el valor medido de la corriente nominal del motor (E2-01) era mayor que el valor seleccionado.	Compruebe el valor de la corriente nominal del motor.

# Guide de démarrage rapide du F7Z

## Sommaire

<b>Avertissements .....</b>	<b>FR-2</b>
◆ Précautions de sécurité et instructions d'utilisation .....	FR-3
◆ Compatibilité CEM .....	FR-4
<b>Installation .....</b>	<b>FR-6</b>
◆ Installation mécanique .....	FR-6
◆ Connexions électriques .....	FR-8
◆ Câblage des entrées du circuit principal .....	FR-12
<b>Fonctionnement du clavier .....</b>	<b>FR-14</b>
◆ Ecran de l'opérateur numérique (en option) .....	FR-14
<b>Configuration du démarrage et définition des paramètres de base .....</b>	<b>FR-15</b>
◆ Procédure de démarrage .....	FR-15
◆ Avant le démarrage .....	FR-16
◆ Ecran après le démarrage .....	FR-16
◆ Réglage automatique .....	FR-16
<b>Paramètre utilisateur .....</b>	<b>FR-18</b>
<b>Résolution des problèmes .....</b>	<b>FR-21</b>
◆ Erreurs et alarmes générales .....	FR-21
◆ Erreurs de programmation de l'opérateur .....	FR-23
◆ Erreurs de réglage automatique .....	FR-24

# Avertissements



## PRÉCAUTION

**Il est strictement interdit de brancher ou de débrancher des câbles ou de procéder à des tests de signalisation lorsque l'appareil est sous tension.**

Le condensateur de bus courant continu DC du Varispeed F7 reste chargé d'électricité même lorsque l'alimentation est coupée. Pour éviter tout risque d'électrocution, débranchez le variateur de fréquence du secteur avant de procéder à son entretien. Ensuite patientez 5 minutes après extinction des LED.

Ne procédez à aucun test de rigidité sur aucun élément du variateur. Il comporte en effet des éléments semi-conducteurs qui ne peuvent pas supporter des tensions aussi élevées.

Il est interdit de déposer l'opérateur numérique lorsque l'appareil est encore sous tension.

Il est également interdit de toucher aux circuits imprimés lorsque le variateur est sous tension.

Ne raccordez jamais des filtres de suppression de bruit LC / LR, des condensateurs ou des appareils de protection contre les surtensions à une entrée ou une sortie de variateur.

Pour éviter l'affichage d'erreurs de surtension inutiles, les contacts de signalisation de tout contact ou interrupteur placé entre le variateur et le moteur doivent être intégrés dans la logique de contrôle du variateur (l'étage de sortie par exemple).

Ceci est d'une importance capitale :

Lisez attentivement le présent manuel avant de raccorder ou d'utiliser le variateur.

Il est impératif de respecter toutes les précautions et instructions de sécurité.

Utilisez le variateur avec les filtres de câble appropriés et en respectant les instructions d'installation du présent manuel, tout couvercle rabattu et toute borne protégée.

Ce n'est qu'après cela que toutes les mesures de sécurité seront effectivement respectées. Ne raccordez ou n'utilisez pas un équipement apparemment endommagé ou sur lequel il manque des éléments. La société utilisant l'appareil est responsable de toute blessure ou tout endommagement de matériel causé par le non-respect des avertissements contenus dans le présent manuel.

## ◆ Précautions de sécurité et instructions d'utilisation

### ■ Généralités

Lisez attentivement les précautions de sécurité et les instructions d'utilisation avant d'installer et d'utiliser le variateur. Contrôlez également les dispositifs de sécurité du variateur et vérifiez régulièrement leur état de fonctionnement (dommage ou démontage).

Il est possible d'accéder aux éléments sous tension et aux éléments chauds pendant l'utilisation de l'appareil. Vous courez de sérieux dangers de blessures et d'endommagement du matériel lors de la dépose des éléments du boîtier, de l'opérateur numérique ou des couvercles de bornes lorsque ceux-ci ne sont pas correctement installés ou utilisés. Le fait que les variateurs de fréquences contrôlent des appareils mécaniques en mouvement peut générer d'autres risques.

Il est impératif de respecter les instructions du présent manuel. Toute installation, opération ou toute opération d'entretien doit être effectuée par du personnel qualifié. Pour des raisons de sécurité, le personnel qualifié doit être désigné comme personne habituée à installer, démarrer, utiliser et effectuer l'entretien des variateurs de fréquence et il doit disposer des qualifications requises en la matière. Il n'est possible d'utiliser ces unités en toute sécurité que lorsqu'elles sont utilisées correctement et pour l'utilisation pour laquelle elles ont été conçues.

Les condensateurs de bus DC restent actifs 5 minutes environ après coupure du courant. Il est donc impératif de patienter 5 minutes avant d'ouvrir les couvercles. Toutes les bornes du circuit principal peuvent se charger d'électricité.

L'accès des enfants et autres personnes non autorisées aux variateurs est strictement interdit.

Conserver les consignes de sécurité et les instructions d'utilisation à portée de main et les remettre à toute personne ayant accès aux variateurs.

### ■ Limites d'utilisation des variateurs

Les variateurs de fréquence sont conçus pour être utilisés avec des systèmes ou des appareils électriques.

Ils doivent être installés sur ces appareils ou systèmes en respectant les normes et directives de basse tension suivantes :

EN 50178, 1997-10,    Systèmes d'alimentation électrique avec des appareils électriques

EN 60204-1, 1997-12    Sécurité des appareils et équipement avec des appareils électriques

1ère partie : Configuration préalable (CEI 60204-1 : 1997) /

Remarque : inclut le rectificatif de septembre 1998

EN 61010-1, A2, 1995    Conditions de sécurité pour les équipements de technologie de l'information

(CEI 950, 1991 + A1, 1992 + A2, 1993 + A3, 1995 + A4, 1996, modifiée)

La norme CE a été intégrée dans la norme EN 50178 avec les filtres spéciaux de câbles inclus dans le présent manuel et tient compte des instructions d'installation concernées.

### ■ Transport et stockage

Les instructions de transport, de stockage et de manipulation de l'appareil doivent être respectées en accord avec les caractéristiques techniques de l'appareil.

### ■ Installation

Installez et refroidissez les variateurs comme indiqué dans la documentation technique. Insufflez l'air de refroidissement dans la direction indiquée. Il n'est donc possible d'utiliser le variateur que dans la position indiquée (debout par exemple). Respectez les distances indiquées. Protégez les variateurs contre les charges non autorisées. Il est interdit de pencher les composants ou de modifier les distances d'isolement. Pour éviter tout dommage causé par électricité statique, ne touchez pas les composants ou les contacts électroniques.

## ■ Connexions électriques

Effectuez tout travail sur les équipements sous tension en respectant la réglementation nationale de prévention des accidents du travail et la réglementation nationale de sécurité. Effectuez les installations électriques en respectant la réglementation en vigueur. Respectez surtout les instructions d'installation concernant la compatibilité électromagnétique (CEM), le blindage, la mise à la masse, l'agencement des filtres et le placement des câbles par exemple. Cela s'applique également aux équipements dotés du label CE. Le fabricant est responsable du système ou des machines en matière de respect des normes CEM.

Renseignez-vous auprès du fournisseur ou représentant Omron Yaskawa Motion Control en cas d'utilisation d'un disjoncteur de courant de fuite avec les variateurs de fréquence.

Il est possible qu'il soit nécessaire, sur certains systèmes, d'utiliser des appareils de surveillance et de sécurité supplémentaires pour respecter la réglementation sur la sécurité et la prévention des accidents. Il est alors nécessaire de modifier le matériel du variateur de fréquence.

## ■ Remarques

Les variateurs de fréquence Varispeed F7 sont certifiés CE, UL et cUL.

---

## ◆ Compatibilité CEM

### ■ Introduction

Ce manuel a été conçu pour aider les fabricants de systèmes utilisant les variateurs OMRON YASKAWA Motion Control (OYMC) à élaborer et installer des appareils de connexion électrique. Il décrit aussi les mesures nécessaires pour respecter la directive CEM. Il est, de ce fait, impératif de respecter les instructions du manuel d'installation et les instructions de câblage.

Les produits OMRON sont contrôlés par des instituts agréés utilisant les normes suivantes :

Normes de produits : EN 61800-3:1996  
EN 61800-3 ; A11:2000

### ■ Mesures pour garantir la conformité des variateurs de fréquence avec la directive CEM

Il n'est pas nécessaire d'installer les variateurs de fréquence OYMC dans une armoire électrique.

Il n'est pas possible de donner toutes les instructions en détails de toutes les configurations possibles d'installation. Le présent manuel se limite donc aux instructions générales.

Tout équipement électrique génère des interférences radio et des interférences. Les câbles transmettent ces interférences à leur environnement comme une antenne radio.

En raccordant un équipement électrique (par exemple un moteur) à une source d'alimentation sans filtre de câblage, il est possible que des interférences HF (haute fréquence) ou LF (basse fréquence) pénètrent dans le réseau principal d'alimentation.

La solution, dans un premier temps, est d'isoler le câble de commande, les composants d'alimentation, la masse et les câbles blindés.

Il est nécessaire de disposer d'une grande surface de contact pour une faible impédance des interférences HF. Il est également recommandé d'utiliser des bandes de blindage plutôt que des câbles.

De plus, connecter les câbles blindés avec des clips prévus à cet effet.

## ■ Agencement des câbles

Mesures à l'encontre des interférences issues des câbles:

Montez le filtre de câblage et le variateur de fréquence sur une même plaque en métal. Montez-les le plus proche possible l'un de l'autre avec des câbles aussi courts que possible.

Utilisez un câble d'alimentation raccordé à la terre. Pour les câbles de moteur, jusqu'à une longueur de 50 mètres, utilisez des câbles blindés. Agencez les bandes de masse de sorte à maximiser la surface de la fin d'alimentation en contact avec la borne de masse (par exemple une plaque en métal).

Câble blindé

- Utilisez un câble blindé en tresse.
- Mettez le plus de surface de blindage possible à la masse. Il est recommandé de mettre le blindage à la masse en raccordant le câble à la plaque de masse avec des clips en métal (voir la figure ci-dessous).

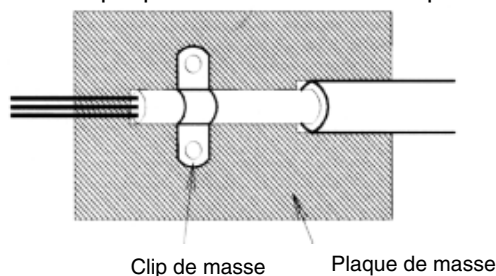


Fig. 1 Mise à la masse du blindage du câble avec des clips en métal

Les surfaces de masse doivent être extrêmement conductrices (sans recouvrement). Retirez tout recouvrement de vernis ou de peinture.

- Raccordez les blindages de câble aux deux extrémités à la masse.
- Raccordez le moteur de l'appareil à la masse.

# Installation

## ◆ Installation mécanique

### ■ Déballage du variateur

Vérifiez les éléments suivants après avoir déballé le variateur.

Élément	Méthode
Le variateur livré correspond-il au modèle commandé ?	Vérifier la référence du modèle (plaque située sur le côté du variateur).
Le variateur est-il endommagé ?	Inspecter la surface extérieure du variateur pour détecter toute éraflure ou tout autre dommage résultant de l'expédition.
Des vis ou autres composants sont-ils desserrés ?	Utiliser un tournevis ou d'autres outils pour vérifier le serrage des composants.

En cas d'anomalies constatées parmi celles indiquées ci-dessus, contacter immédiatement le revendeur ou le représentant Omron Yaskawa Motion Control.

### ■ Vérification du site d'installation

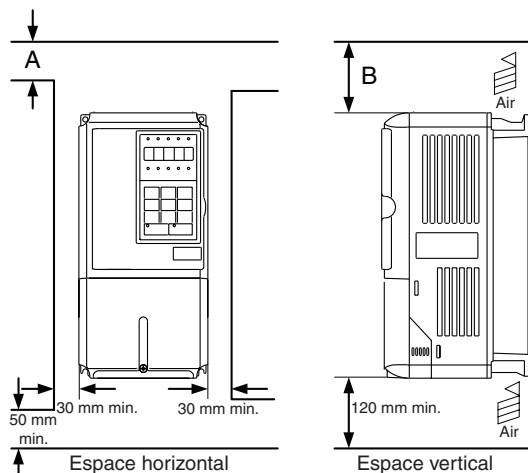
Les capots de protection sont fixés aux parties inférieure et supérieure des variateurs NEMA 1 / IP20. Retirez le capot supérieur avant de mettre en marche un variateur 200 V ou 400 V avec une capacité de 18,5 kW ou inférieure dans une armoire de commande.

Respectez les précautions suivantes lors du montage du variateur :

- Installez le variateur dans un endroit propre sans brume d'huile ni poussière. Il peut être installé dans une armoire totalement fermée, complètement protégée des poussières flottantes.
- Lors de l'installation ou de la mise en marche du variateur, prenez toujours un soin particulier à ce que les poussières de métaux, d'huile, d'eau ou d'autres corps étrangers ne pénètrent pas dans le variateur.
- N'installez pas le variateur sur un matériau combustible, tel que le bois.
- Installez le variateur dans un endroit ne contenant aucune matière radioactive et aucun matériau combustible.
- Installez le variateur dans un endroit ne contenant ni gaz ni liquide nocifs.
- Installez le variateur dans un endroit qui n'est pas exposé à des vibrations excessives.
- Installez le variateur dans un endroit ne contenant aucun chlorure.
- Installez le variateur dans un endroit à l'abri de la lumière directe du soleil.

## ■ Orientation pour l'installation

Installez le variateur verticalement de manière à ne pas réduire l'effet de refroidissement. Lors de l'installation du variateur, conservez toujours l'espace requis comme suit pour permettre une dissipation normale de la chaleur.



	A	B
Variateur 200 V, de 0,55 à 90 kW	50 mm	120 mm
Variateur 400 V, de 0,55 à 132 kW	50 mm	120 mm
Variateur 200 V, 110 kW	120 mm	120 mm
Variateur 400 V, de 160 à 220 kW	120 mm	120 mm
Variateur 400 V, 300 kW	300 mm	300 mm

Fig. 2 Espace pour l'installation



1. Le même espace est requis horizontalement et verticalement pour les variateurs IP00, IP20 et NEMA 1.
2. Retirez systématiquement le capot de protection supérieur avant d'installer un variateur avec une sortie maximale de 18,5 kW dans une armoire de commande.  
Fournissez toujours un espace suffisant pour la suspension par boulons à œil et les fils du circuit principal lors de l'installation d'un variateur avec une sortie supérieure ou égale à 22 kW dans une armoire de commande.

## ■ Installation des variateurs et des filtres CEM

Pour une installation conforme aux règles CEM, tenez compte des points suivants :

- Utilisez un filtre de ligne.
- Utilisez des câbles de moteur blindés.
- Installez le variateur et le filtre sur une plaque conductrice raccordée à la terre.
- Retirez toute trace de peinture ou de poussière avant d'installer les pièces, afin de réduire autant que possible l'impédance de terre.

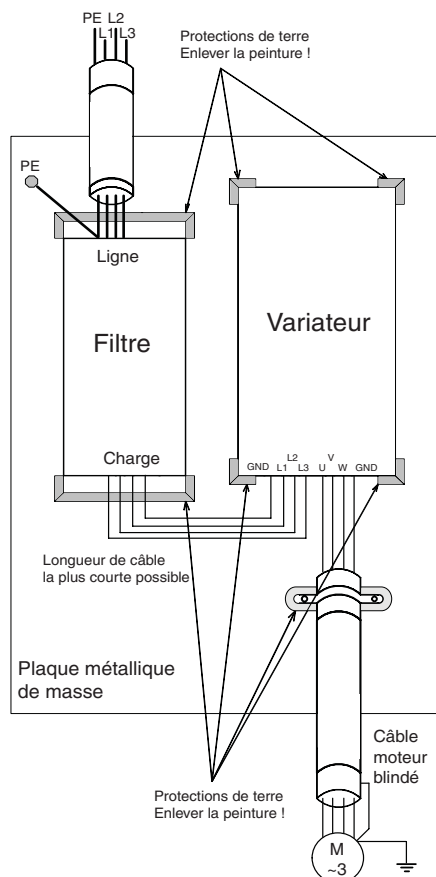


Fig. 3 Installation du filtre CEM



# ◆ Connexions électriques

## ■ Câblage du variateur

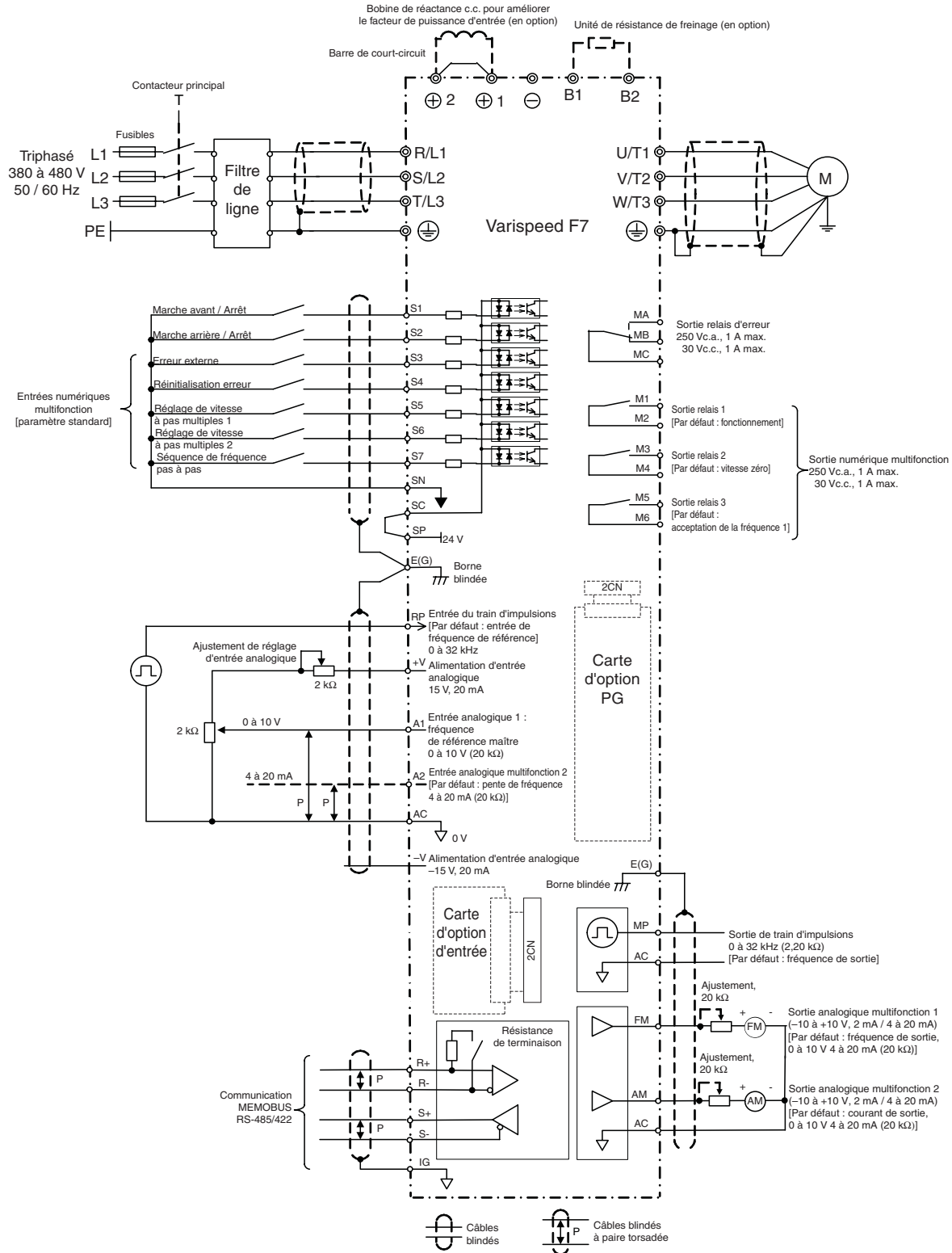


Fig. 4 Schéma de câblage

## ■ Bornes de circuit principal

Les fonctions du circuit principal sont résumées sous forme de symboles dans le [Tableau 1](#). Raccordez correctement les bornes pour l'utilisation désirée.

Tableau 1 Fonctions des bornes du circuit principal (modèles 200 V et 400 V)

Rôle	Symbole de la borne	Modèle : CIMR-F7Z□□□□	
		200 V	400 V
Entrée de l'alimentation principale	R / L1, S / L2, T / L3	20P4 à 2110	40P4 à 4300
	R1 / L11, S1 / L21, T1 / L31	2022 à 2110	4022 à 4300
Sorties variateur	U / T1, V / T2, W / T3	20P4 à 2110	40P4 à 4300
Bornes bus c.c.	⊕1, ⊖	20P4 à 2110	40P4 à 4300
Connexion de l'unité de résistance en freinage	B1, B2	20P4 à 2018	40P4 à 4018
Connexion de bobine de réactance c.c.	⊕1, ⊕2	20P4 à 2018	40P4 à 4018
Connexion de l'unité de freinage	⊕3, ⊖	2022 à 2110	4022 à 4300
Terre	⊕	20P4 à 2110	40P4 à 4300

## ■ Bornes de circuit de contrôle

[Fig. 5](#) affiche la disposition des bornes du circuit de contrôle. Les fonctions des bornes du circuit de contrôle sont illustrées au [Tableau 2](#). Utilisez les bornes appropriées pour les fonctions auxquelles elles sont destinées.

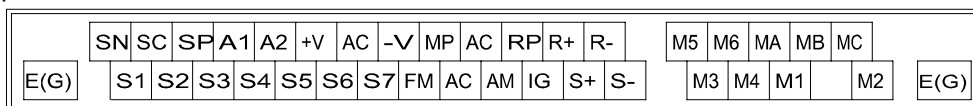


Fig. 5 Disposition des bornes du circuit de contrôle

Tableau 2 Bornes du circuit de contrôle avec réglage par défaut

Type	N°	Nom du signal	Fonction	Niveau du signal	
Signaux d'entrée numérique	S1	Commande marche avant / arrêt	Marche avant quand ON ; arrêt quand OFF	24 Vc.c., 8 mA Isolation de l'optocoupleur	
	S2	Commande marche arrière / arrêt	Marche arrière quand ON ; arrêté quand OFF		
	S3	Entrée erreur externe *1	Erreur quand ON.		
	S4	Réinitialisation erreur *1	Réinitialisation quand ON		
	S5	Référence de vitesse à pas multiples 1 *1 (Interrupteur maître / auxiliaire)	Référence de fréquence auxiliaire quand ON.		
	S6	Référence de vitesse à pas multiples 2 *1	Vitesse à pas multiples 2 quand ON.		
	S7	Fréquence de référence pas à pas *1	Fréquence pas à pas quand ON.		
	SC	Commun, entrée numérique	–		–
	SN	Neutre, entrée numérique	–		–
	SP	Alimentation, entrée numérique	Alimentation +24 Vc.c. pour entrées numériques		24 Vc.c., 250 mA max. *2
Signaux d'entrée analogique	+V	Sortie d'alimentation 15 V	Alimentation 15 V pour références analogiques	15 V (courant max. : 20 mA)	
	A1	Fréquence de référence	0 à +10 V / 100 %	–10 à +10 V (20 kΩ) 0 à +10 V (20 kΩ)	
	A2	Fréquence de référence auxiliaire	Fréquence de référence analogique auxiliaire ; 4 à 20 mA (250 Ω)	La fonction est sélectionnée via le paramètre H3-09.	4 à 20 mA (250 Ω) 0 à +10 V (20 kΩ) 0 à 20 mA (250 Ω)
	–V	Sortie d'alimentation –15 V	Alimentation –15 V pour références analogiques		
	AC	Commun, référence analogique	–	–	
	E(G)	Câble blindé, point de connexion de la ligne à la terre facultatif	–	–	

Type	N°	Nom du signal	Fonction		Niveau du signal
Signaux de sortie numérique	M1	Pendant l'exécution (NO)	Fermé pendant fonctionnement		Contacts relais Capacité du contact : 1 A max. à 250 Vc.a. 1 A max. à 30 Vc.c.*3
	M2				
	M3	Vitesse zéro (NO)	Fermé lorsque la fréquence de sortie est inférieure ou égale au niveau zéro (b2-01)		
	M4				
	M5	Détection de l'accord de vitesse (NO)	±2 Hz de la fréquence définie quand ON		
	M6				
	MA	Signal de sortie erreur	Fermé entre MA et MC pendant les erreurs		
	MB		Ouvert entre MB et MC pendant les erreurs		
	MC				
Signaux de sortie analogique	FM	Fréquence de sortie	Signal de fréquence de sortie analogique ; 0 à 10 V ; 10 V = FMAX	Fonction sélectionnée par H4-01	0 à +10 V max. ±5 % 2 mA max.
	AC	Commun analogique	-		-10 à +10 V max. ±5 % 2 mA max. 4 à 20 mA
	AM	Alimentation de sortie du variateur	Signal d'alimentation de sortie analogique ; 0 à 10 V ; 10 V = capacité max. du moteur applicable	Fonction sélectionnée par H4-04	
E / S d'impulsion	RP	Entrée d'impulsion	H6-01 (entrée fréquence de référence) *4		0 à 32 kHz (3 kΩ) Haute tension de 3,5 à 13,2 V
	MP	Sortie d'impulsion	H6-06 (fréquence de sortie)		0 à 32 kHz Sortie +15 V (2,2 kΩ)
RS-485 / 422	R+	Entrée de communication MEMOBUS	Pour RS-485 à 2 fils, court-circuitez R+ et S+ ainsi que R- et S-.		Entrée différentielle, isolation PHC
	R-				
	S+	Sortie de communication MEMOBUS			Entrée différentielle, isolation PHC
	S-				
IG	Commun signal	-		-	

- \*1. Les paramètres par défaut sont fournis pour les bornes S3 à S7. Pour une séquence à 3 fils, les paramètres par défaut sont une séquence à 3 fils pour S5, réglage de vitesse à pas multiples 1 pour S6 et réglage de vitesse à pas multiples 2 pour S7.
- \*2. Ne pas utiliser cette source d'alimentation pour alimenter des périphériques externes.
- \*3. Lors de la manipulation d'une charge réactive, telle une bobine de relais alimentée en c.c., toujours insérer une diode à effet de volant comme illustré à la Fig. 6
- \*4. Les spécifications relatives à l'entrée d'impulsion sont fournies dans le tableau ci-dessous :

Tension bas niveau	0,0 à 0,8 V
Tension niveau haut	3,5 à 13,2 V
Service lourd	30 à 70 %
Fréquence d'impulsion	0 à 32 kHz

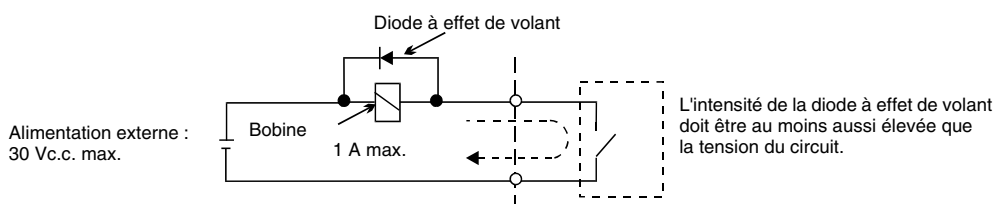


Fig. 6 Raccordement de la diode à effet de volant

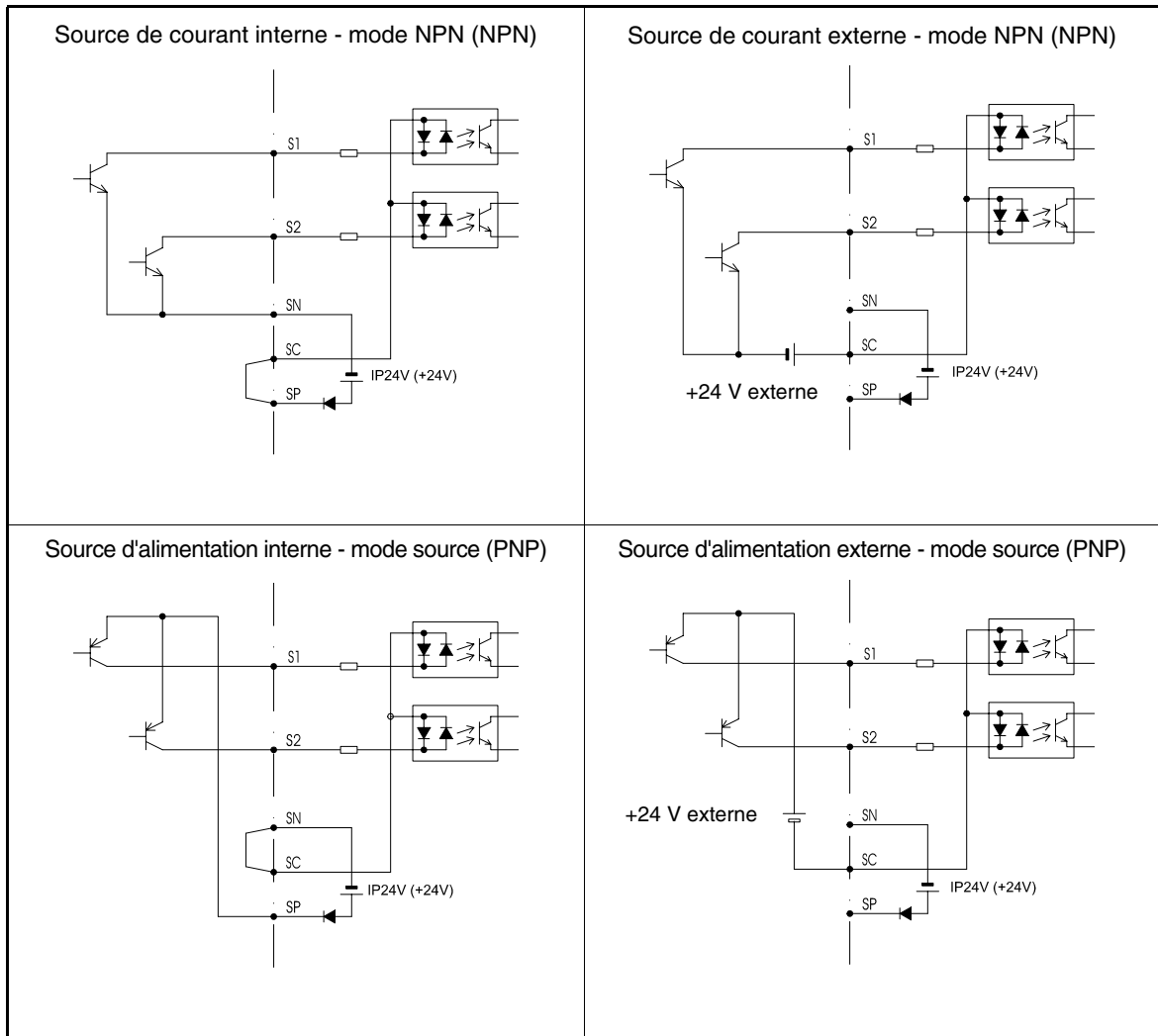


- Dans la Fig. 4, le câblage des entrées numériques S1 à S7 et BB est illustré pour le raccordement des contacts ou des transistors NPN (0 V commun et mode NPN). Il s'agit du réglage par défaut. Se reporter au Tableau 3 pour les raccordements des transistors PNP ou en cas d'utilisation d'une alimentation externe de 24 V.
- La bobine de réactance c.c. est en option pour les variateurs de 18,5 kW maximum uniquement. Déposez la barre de court-circuit lors du raccordement de la bobine de réactance c.c.

## ■ Mode NPN / source (sélection NPN / PNP)

L'opérateur logique de la borne d'entrée peut être commuté entre le mode NPN (commun 0 V, NPN) et le mode source (commun +24 V, NPN) à l'aide du connecteur CN5. Une alimentation externe est également prise en charge, ce qui offre plus de liberté par rapport aux méthodes d'entrée des signaux.

Tableau 3 Mode NPN / source et signaux d'entrée



## ◆ Câblage des entrées du circuit principal

### Pose des fusibles

Pour protéger les variateurs, il est recommandé de poser des fusibles semi-conducteurs comme indiqué dans le tableau ci-dessous.

Tableau 4 Sélection du fusible d'entrée

Type de variateur	Sortie nominale du variateur Courant (A)	Sélection du fusible			Exemple de sélection (Ferraz)		
		Tension (V)	Courant (A)	I <sup>2</sup> t (A <sup>2</sup> s)	Modèle	Valeurs nominales	I <sup>2</sup> t (A <sup>2</sup> s)
20P4	3,2	240	10	12-25	A60Q12-2	600 V / 12 A	17
20P7	4,1	240	10	12-25	A60Q12-2	600 V / 12 A	17
21P5	7,0	240	15	23-55	A60Q15-2	600 V / 15 A	26
22P2	9,6	240	20	34-98	A60Q20-2	600 V / 20 A	41
23P7	15	240	30	82-220	A60Q30-2	600 V / 30 A	132
25P5	23	240	40	220-610	A50P50-4	500 V / 50 A	250
27P5	31	240	60	290-1300	A50P80-4	500 V / 80 A	640
2011	45	240	80	450-5000	A50P80-4	500 V / 80 A	640
2015	58	240	100	1200-7200	A50P125-4	500 V / 125 A	1600
2018	71	240	130	1800-7200	A50P150-4	500 V / 150 A	2200
2022	85	240	150	870-16200	A50P150-4	500 V / 150 A	2200
2030	115	240	180	1500-23000	A50P200-4	500 V / 200 A	4000
2037	145	240	240	2100-19000	A50P250-4	500 V / 250 A	6200
2045	180	240	300	2700-55000	A50P300-4	500 V / 300 A	9000
2055	215	240	350	4000-55000	A50P350-4	500 V / 350 A	12000
2075	283	240	450	7100-64000	A50P450-4	500 V / 450 A	20000
2090	346	240	550	11000-64000	A50P600-4	500 V / 600 A	36000
2110	415	240	600	13000-83000	A50P600-4	500 V / 600 A	36000
40P4	1,8	480	5	6-55	A60Q10-2	600 V / 10 A	10
40P7	2,1	480	5	6-55	A60Q10-2	600 V / 10 A	10
41P5	3,7	480	10	10-55	A60Q12-2	600 V / 12 A	17
42P2	5,3	480	10	18-55	A60Q15-2	600 V / 15 A	26
43P7	7,6	480	15	34-72	A60Q20-2	600 V / 20 A	41
44P0	8,7	480	20	50-570	A60Q30-2	600 V / 30 A	132
45P5	12,5	480	25	100-570	A60Q30-2	600 V / 30 A	132
47P5	17	480	30	100-640	A60Q30-2	600 V / 30 A	132
4011	24	480	50	150-1300	A70P50-4	700 V / 50 A	300
4015	31	480	60	400-1800	A70P70-4	700 V / 70 A	590
4018	39	480	70	700-4100	A70P80-4	700 V / 80 A	770
4022	45	480	80	240-5800	A70P80-4	700 V / 80 A	770
4030	60	480	100	500-5800	A70P100-4	700 V / 100 A	1200
4037	75	480	125	750-5800	A70P125-4	700 V / 125 A	1900
4045	91	480	150	920-13000	A70P150-4	700 V / 150 A	2700
4055	112	480	150	1500-13000	A70P200-4	700 V / 200 A	4800
4075	150	480	250	3000-55000	A70P250-4	700 V / 250 A	7500
4090	180	480	300	3800-55000	A70P300-4	700 V / 300 A	11000
4110	216	480	350	5400-23000	A70P350-4	700 V / 350 A	15000
4132	260	480	400	7900-64000	A70P400-4	700 V / 400 A	19000
4160	304	480	450	14000-250000	A70P450-4	700 V / 450 A	24000
4185	370	480	600	20000-250000	A70P600-4	700 V / 600 A	43000
4220	506	480	700	34000-400000	A70P700-4	700 V / 700 A	59000
4300	675	480	900	52000-920000	A70P900-4	700 V / 900 A	97000

Respectez les précautions suivantes pour l'entrée d'alimentation du circuit principal.

- Si vous utilisez un disjoncteur de circuit à boîtier moulé pour raccorder l'alimentation (R / L1, S / L2 et T / L3), vérifiez que le type d'interrupteur est compatible avec le variateur.
- Si vous utilisez un disjoncteur de fuite de masse, il doit être capable de détecter tous les types de courant afin de garantir une détection correcte de la tension de fuite de masse.

- Un contacteur magnétique ou un autre dispositif de commutation peut être utilisé à l'entrée du variateur. Le variateur ne doit pas être mis sous tension plusieurs fois par heure.
- Les phases d'entrée (R / S / T) peuvent être connectées dans n'importe quel ordre.
- Si le variateur est connecté à un transformateur grande capacité (600 kW minimum) ou qu'un condensateur d'avancement de phase est allumé à proximité, une surcharge électrique peut se produire dans le circuit d'alimentation d'entrée et endommager le variateur. Pour empêcher cela, installez une bobine de réactance c.a. en option à l'entrée du variateur ou une bobine de réactance c.c. aux bornes de connexion de la bobine de réactance c.c.
- Utilisez un parasurtenseur ou une diode pour charges inductives près du variateur. Les charges inductives comprennent les contacteurs magnétiques, les relais électromagnétiques, les électrovannes, les électro-aimants et les freins magnétiques.

### ■ Câblage du côté de sortie du circuit principal

Observez les précautions suivantes pour le câblage du circuit de sortie.

- Ne connectez jamais une source d'alimentation aux bornes de sortie du variateur. Cela pourrait endommager le variateur.
- Ne court-circuitez ni ne mettez jamais à la terre les bornes de sortie. Cela pourrait endommager le variateur.
- N'utilisez pas de condensateurs de correction de phase. Vous risqueriez d'endommager le variateur et les condensateurs.
- Contrôlez l'opération de commande afin d'être sûr que le contacteur magnétique (MC) placé entre le variateur et le moteur n'est ni activé, ni désactivé au cours d'une opération du variateur. Si le MC est sous tension pendant que le variateur fonctionne, cela risque de provoquer une surcharge et la protection de surintensité du variateur risque de se déclencher.

### ■ Connexion à la terre

Observez les précautions suivantes pour la connexion à la terre.

- Ne partagez pas le câble de terre avec d'autres appareils tels que des postes à souder ou des outils électriques.
- Utilisez toujours un câble de terre correspondant aux normes techniques du matériel électrique et réduisez autant que possible la longueur du câble.  
Le courant de fuite est dû au variateur. Par conséquent, si la distance entre l'électrode de terre et la borne de terre est trop longue, le potentiel sur la borne de terre du variateur deviendra instable.
- Lorsque vous utilisez plusieurs variateurs, veillez à ne pas enrouler le câble de terre.

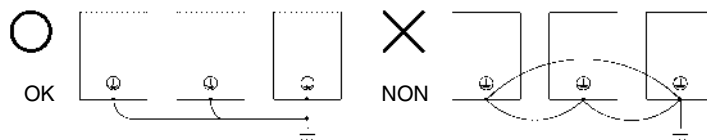


Fig. 7 Câblage à la terre

### ■ Précautions de câblage du circuit de contrôle

Observez les précautions suivantes lors du câblage des circuits de contrôle.

- Débranchez les câbles du circuit de contrôle des câblages du circuit principal (bornes R / L1, S / L2, T / L3, B1, B2, U / T1, V / T2, W / T3, B1, B2, ⊖, ⊕1, ⊕2 et ⊕3, PO, NO) et des autres câbles à haute tension.
- Séparez le câblage des bornes du circuit de contrôle MA, MB, MC, M1 à M6 (sorties relais) du câblage vers les autres bornes du circuit de contrôle.
- Si vous utilisez une alimentation externe en option, il doit s'agir d'une source d'alimentation de classe 2 conforme UL.
- Utilisez des câbles à paire torsadée ou blindés à paire torsadée pour les circuits de contrôle afin d'éviter toute erreur de fonctionnement.
- Mettez les blindages de câblage à la masse avec une zone de contact maximale du blindage et de la masse.
- Les blindages de câblage doivent être reliés à la masse au niveau des deux extrémités,

# Fonctionnement du clavier

## ◆ Ecran de l'opérateur numérique (en option)

Les noms des touches et les fonctions de la console numérique sont décrits ci-après.



Indicateurs du mode de contrôle

FWD : s'allume lorsqu'une commande d'exécution en avant est activée.

REV : s'allume lorsque la commande RUN de marche arrière est activée.

SEQ : s'allume lorsque vous sélectionnez une autre source de commande RUN que l'opérateur numérique.

REF : s'allume lorsque vous sélectionnez une autre source fréquence de référence que l'opérateur numérique.

ALARM : s'allume lorsqu'une erreur se produit ou qu'une alarme se déclenche.

Affichage des données

Affiche les données de surveillance, les paramètres et les réglages.

*Affichage du mode*

(apparaît en haut à gauche dans l'affichage des données)

DRIVE : s'allume en mode de contrôle.

QUICK : s'allume en mode de programmation rapide.

ADV : s'allume en mode de programmation avancée.

VERIFY : s'allume en mode de vérification.

A. TUNE : s'allume en mode de réglage automatique.

Touches

Exécutent des opérations telles que la définition des paramètres utilisateur, la surveillance, le fonctionnement pas à pas et la régle automatique.

## ■ Touches de l'opérateur numérique

Touche	Nom	Fonction
	Touche LOCAL / REMOTE	Passé d'une opération à l'autre via l'opérateur numérique (LOCAL) et les sélections dans b1-01 et b1-02 (REMOTE). Cette touche peut être activée ou désactivée en réglant le paramètre o2-01.
	Touche MENU	Sélectionne les modes.
	Touche ESC	Rétablit l'état précédant l'activation de la touche DATA / ENTER.
	Touche JOG	Active le fonctionnement pas à pas lorsque le variateur fonctionne à partir de l'opérateur numérique.
	Touche FWD / REV	Sélectionne le sens de rotation du moteur lorsque le variateur fonctionne à partir de l'opérateur numérique.
	Touche Shift / RESET	Permet d'activer un chiffre lors du réglage des paramètres utilisateur. Permet aussi de réinitialiser l'appareil lorsqu'une erreur s'est produite.
	Touche Augmenter	Sélectionne les valeurs numériques des paramètres utilisateur et augmente les valeurs des paramètres. Utilisée pour passer à l'élément ou la donnée suivante.
	Touche Diminuer	Sélectionne les valeurs numériques des paramètres utilisateur et diminue les valeurs des paramètres. Utilisée pour passer à l'élément ou la donnée précédente.
	Touche DATA / ENTER	Accède aux menus et aux paramètres et valide les valeurs des paramètres.
	Touche RUN	Démarré le fonctionnement du variateur lorsqu'il est contrôlé par l'opérateur numérique (mode LOCAL).
	Touche STOP	Arrête le fonctionnement du variateur (modes LOCAL et REMOTE). Vous pouvez activer ou désactiver cette touche lorsque le variateur ne fonctionne pas à partir de la même source que la console en réglant le paramètre o2-02.

# Configuration du démarrage et définition des paramètres de base

## ◆ Procédure de démarrage

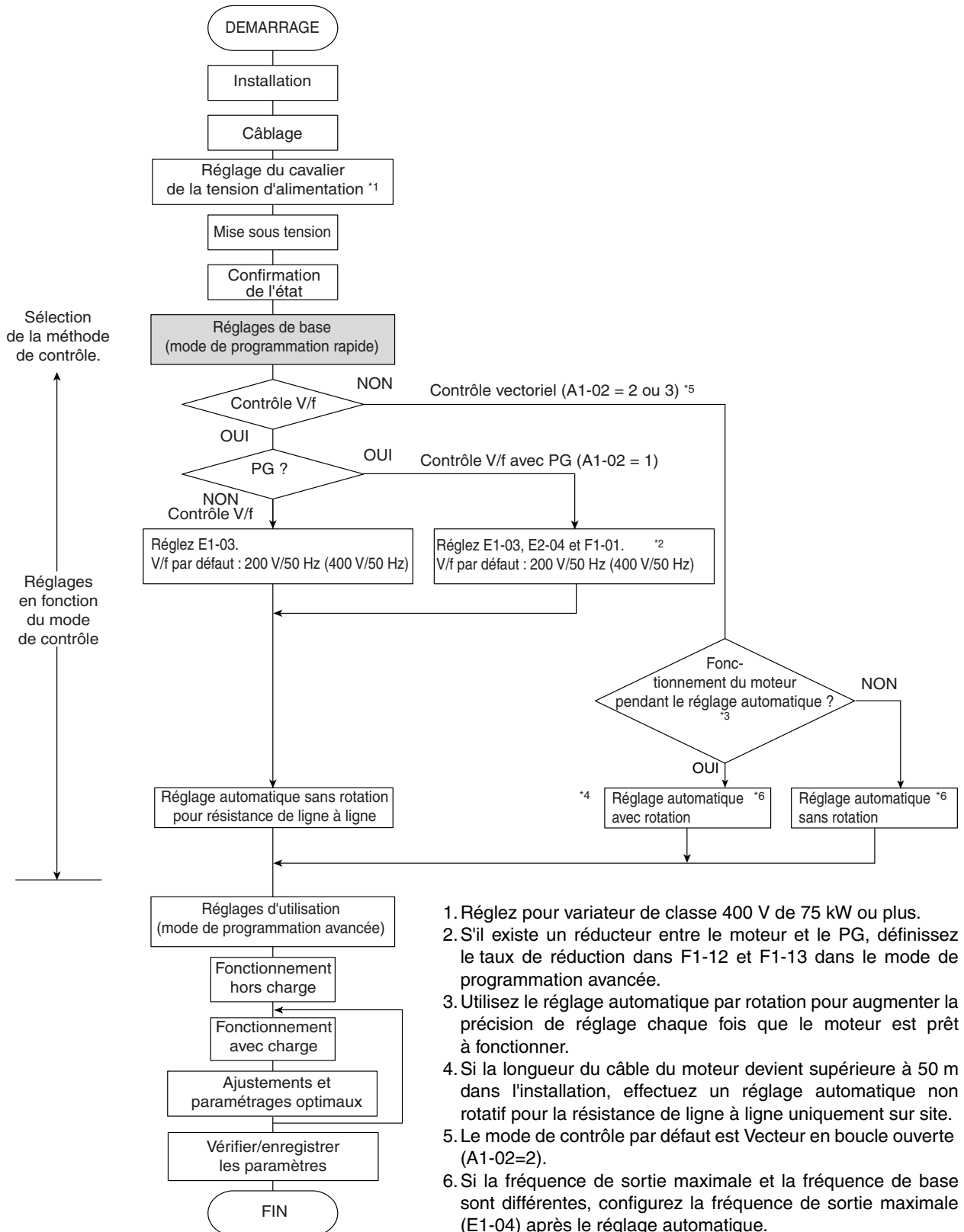


Fig. 8 Organigramme de l'essai de fonctionnement



## ◆ Avant le démarrage

Vérifiez soigneusement les points suivants avant la mise sous tension.

- Vérifiez que l'alimentation correspond aux caractéristiques techniques du variateur.
- Vérifiez que les câbles d'alimentation sont correctement raccordés aux bornes appropriées (L1, L2, L3).
- Vérifiez que les câbles de moteur sont correctement raccordés aux bornes appropriées, côté variateur (U, V, W) et côté moteur.
- Vérifiez que l'unité de freinage / la résistance de freinage sont connectées correctement.
- Vérifiez que la borne du circuit de contrôle et l'appareil de contrôle sont câblés correctement.
- Mettez toutes les bornes du circuit de contrôle du variateur sur OFF.
- Lorsque vous utilisez une carte PG, assurez-vous qu'elle est câblée correctement.

## ◆ Ecran après le démarrage

Après un démarrage normal, sans problème, l'écran de l'opérateur affiche les messages suivants

Affichage en cas de fonctionnement normal

```
-DRIVE-  
Frequency RefRdy  
U1 - 01=50,00 Hz  
-----  
U1 - 02=50,00 Hz  
U1 - 03=10,05 A
```

Le moniteur fréquence de référence est affiché dans la section d'affichage des données.

Si une erreur s'est produite ou si une alarme est active, un message d'erreur ou d'alarme apparaît. Dans ce cas, consultez la [page 21, Résolution des problèmes](#).

Affichage en cas de fonctionnement défectueux

```
-DRIVE-  
UV  
DC Bus Undervolt
```

Un message d'erreur ou d'alarme s'affiche sur l'écran. L'exemple affiche une alarme de basse tension.

## ◆ Réglage automatique

Le réglage automatique permet de régler automatiquement les paramètres du moteur lors de l'utilisation de la méthode de contrôle vectoriel en boucle ouverte ou fermée, lorsque le câble est long ou que l'installation a changé.

### ■ Définition du mode de réglage automatique

Vous pouvez définir l'un des trois modes de réglage automatique suivants.

- Réglage automatique avec rotation
- Réglage automatique sans rotation
- Réglage automatique sans rotation pour résistance de ligne à ligne uniquement

#### Réglage automatique par rotation (T1-01 = 0)

Le réglage automatique par rotation peut être utilisé uniquement pour le contrôle vectoriel en boucle ouverte et fermée. Configurez T1-01 à 0, entrez les données inscrites sur la plaque d'identification, puis appuyez sur la touche RUN de l'opérateur numérique. Le variateur fait fonctionner le moteur pendant 1 minute environ et configure automatiquement les paramètres du moteur nécessaires.

#### Réglage automatique sans rotation (T1-01 = 1)

Le réglage automatique sans rotation peut être utilisé uniquement pour le contrôle vectoriel en boucle ouverte et fermée. Configurez T1-01 à 1, entrez les données inscrites sur la plaque d'identification, puis appuyez sur la touche RUN de l'opérateur numérique. Le variateur alimente

le moteur sans rotation pendant environ 1 minute et certains paramètres du moteur sont définis automatiquement. Les autres paramètres du moteur seront configurés automatiquement lors du premier fonctionnement.

### **Réglage automatique sans rotation pour résistance de ligne à ligne (T1-01=2)**

Vous pouvez utiliser le réglage automatique sans rotation pour la résistance de ligne à ligne avec n'importe quel mode de contrôle. Il s'agit du seul réglage automatique possible pour le contrôle V / f et le contrôle V / f avec PG.

Il peut servir à améliorer les performances lorsque le câble du moteur est long, que sa longueur a été modifiée ou que les capacités du moteur et du variateur sont différentes.

Pour effectuer le réglage automatique en mode de contrôle V / f ou V / f avec PG, configurez T1-02 (alimentation nominale du moteur) et T1-04 (courant nominal du moteur), puis appuyez sur la touche RUN de l'opérateur numérique. Le variateur alimente le moteur sans rotation pendant environ 20 secondes et le système mesure automatiquement la résistance du moteur de ligne à ligne et la résistance du câble.



1. Le courant alimente le moteur lors du réglage automatique, mais le moteur ne tourne pas. Ne touchez pas le moteur tant que le réglage automatique n'est pas terminé.
2. Assurez-vous que tous les contacteurs de moteur sont fermés avant le démarrage du réglage automatique.
3. Pour annuler le réglage automatique, appuyez sur la touche STOP de la console numérique.

### **■ Autres alarmes et erreurs pendant le réglage automatique**

Pour une vue d'ensemble des alarmes ou erreurs de réglage automatique possibles et des actions correctives, reportez-vous à la [page 24, Erreurs de réglage automatique](#).

# Paramètre utilisateur

Code de paramètre	Nom	Description
<b>Initialisation des données</b>		
A1-00	Sélection de la langue d'affichage de la console numérique (JVOP-160-OY uniquement)	<b>0: Anglais</b> 2: Allemand 3: Français 4: Italien 5: Espagnol 6: Portugais
A1-01	Niveau d'accès du paramètre	<b>0: Surveillance uniquement (mode de surveillance et réglage de A1-01 et A1-04.)</b> 1: Utilisée pour sélectionner les paramètres (seuls les paramètres de A2-01 à A2-32 peuvent être lus et définis). 2: Avancé (les paramètres peuvent être lus et réglés aussi bien en mode de programmation rapide (Q) qu'en mode de programmation avancée (A)).
A1-02	Sélection de la méthode de contrôle	<b>0: Contrôle V / f</b> 1: Contrôle V / f avec PG 2: Contrôle vectoriel en boucle ouverte 3: Contrôle vectoriel en boucle fermée
A1-03	Initialisation	0 : Pas d'initialisation 1110 : Initialisation via les paramètres utilisateur 2220 : Initialisation via une séquence deux fils (initialisation du réglage d'origine). 3330 : Initialisation via une séquence à trois fils.
<b>Séquence / Source de référence</b>		
b1-01	Sélection source de référence	Définit la méthode d'entrée de la fréquence de référence. <b>0: Opérateur numérique</b> 1: Borne du circuit de contrôle (entrée analogique) 2: Communication série (RS422 / 485) 3: Carte d'option
b1-02	Sélection source de commande RUN	Permet de régler la méthode d'entrée de la commande d'exécution. <b>0: Opérateur numérique</b> 1: Borne du circuit de contrôle (entrées numériques) 2: Communication série (RS422 / 485) 3: Carte d'option
b1-03	Sélection de la méthode d'arrêt	Sélectionne la méthode d'arrêt lorsque le signal d'exécution est éliminé. <b>0: Décélération pour arrêter</b> 1: Arrêt par inertie 2: Injection de courant continu pour l'arrêt 3: Arrêt par inertie avec temporisation (les nouvelles commandes d'exécution sont ignorées pendant l'arrêt par inertie).
b1-04	Interdiction de fonctionnement d'inversion	<b>0: Inversion activée</b> 1: Inversion désactivée 2: Rotation phase de sortie (les deux sens de rotation sont activés) 3: Rotation phase de sortie avec inversion désactivée.
<b>Réglages d'accélération / décélération</b>		
C1- □□	Temps d'accélération / décélération	Définit le temps d'accélération / décélération sur une valeur comprise entre 0 Hz et la fréquence de sortie maximale.
<b>Configuration des courbes en S</b>		
C2- □□	Temps caractéristique des courbes en S à l'accélération	Définit les caractéristiques des courbes en S au début et à la fin de l'accélération.

Code de paramètre	Nom	Description
<b>Compensation par combinaison du moteur (non disponible en mode V / f avec PG)</b>		
C3-01	Gain de compensation par combinaison	Permet d'améliorer la précision de la vitesse • Augmenter si la fréquence de sortie est trop faible • Diminuer si la fréquence de sortie est trop élevée
C3-02	Retard de la compensation par combinaison (uniquement disponible en modes V / f et OLV)	Permet de régler le retard de compensation par combinaison • Augmenter si la fréquence de sortie n'est pas stable • Diminuer si la réponse à la compensation par combinaison est lente
<b>Contrôle de vitesse (ASR) (uniquement disponible en modes V / f avec PG et CLV)</b>		
C5-01	Gain proportionnel ASR 1	Règle le gain proportionnel de la boucle de vitesse (ASR)
C5-02	Temps intégral ASR 1	Règle le temps intégral de la boucle de vitesse (ASR)
C5-03	Gain proportionnel ASR 2	<p>0 ——— E1-04 ———&gt; Vitesse du moteur (Hz)</p> <p>P, I</p> <p>— P = C5-01 — I = C5-02</p> <p>— P = C5-03 — I = C5-04</p>
C5-04	Temps intégral ASR 2	
C5-06	Retard ASR (CLV uniquement)	Règle la constante de temps du filtre ASR
C5-07	Fréquence de commutation ASR (CLV uniquement)	Définit la fréquence de commutation entre le gain ASR 1, 2 et le temps intégral ASR 1, 2
C5-08	Limite intégrale ASR (CLV uniquement)	Définit la limite de la partie intégrale du contrôleur ASR
<b>Fréquence de découpage</b>		
C6-01	Sélection exploitation normale / élevée	<b>0: Exploitation élevée</b> 1: Exploitation normale 1 2: Exploitation normale 2
C6-02	Sélection de la fréquence de découpage	Sélectionne la fréquence découpage (le réglage d'origine dépend de la capacité du variateur). <b>0: Bruit faible, faible fréquence découpage</b> 1: 2,0 kHz 2: 5,0 kHz 3: 8,0 kHz 4: 10,0 kHz 5: 12,5 kHz 6: 15,0 kHz F : modèle programmable
<b>Paramètres de vitesse</b>		
d1-01 à d1-16	Référence de vitesse à pas multiples 1 à 16	Définit les références de vitesse à pas multiples
d1-17	Fréquence de référence pas à pas	
<b>Contrôle de couple (disponible uniquement en mode CLV)</b>		
d5-01	Sélection de contrôle du couple	<b>0: Contrôle de la vitesse</b> 1: Contrôle de couple
d5-06	Commutation du contrôle vitesse / couple sur temporisation	Permet de régler la temporisation entre l'entrée d'un signal de modification du contrôle de vitesse / couple (entrée numérique) et la modification effective du contrôle
<b>Réglages du schéma V / f</b>		
E1-01	Réglage de la tension d'entrée	Ce paramètre sert de valeur de référence dans les fonctions de protection.

Code de paramètre	Nom	Description
E1-04	Fréquence de sortie maximale (FMAX)	<p>Tension de sortie (V)</p> <p>VMAX (E1-05) (VBASE) (E1-13)</p> <p>VB (E1-08)</p> <p>VMIN (E1-10)</p> <p>FMIN (E1-09) FB (E1-07) FA (E1-06) FMAX (E1-04)</p> <p>Fréquence</p> <p>Pour régler les caractéristiques V / f dans un alignement absolu, entrer les mêmes valeurs de réglage pour E1-07 et E1-09. Dans ce cas, le réglage de E1-08 sera ignoré. Veillez à ce que les quatre fréquences soient définies dans l'ordre suivant : E1-04 (FMAX) ≥ E1-06 (FA) &gt; E1-07 (FB) ≥ E1-09 (FMIN)</p>
E1-05	Tension de sortie max. (VMAX)	
E1-06	Fréquence de base (FA)	
E1-13	Tension de base (VBASE)	
<b>Configuration des données du moteur</b>		
E2-01	Courant nominal du moteur	Configure les données du moteur.
E2-02	Combinaison nominale du moteur	
E2-03	Courant hors charge du moteur	
E2-04	Nombre de pôles du moteur	
E2-09	Pertes mécaniques du moteur	
E2-11	Puissance de sortie nominale du moteur	
<b>Installation de l'option PG</b>		
F1-01	Constante PG	Permet de définir le nombre d'impulsions PG par rotation du moteur.
F1-05	Rotation PG	<b>0: la phase A fonctionne avec la commande d'exécution en avant.</b> 1: la phase B fonctionne avec la commande d'exécution en avant.
<b>Réglage des E / S numériques</b>		
H1-01 à H1-05	Sélection de la fonction aux bornes S3-S7	Se reporter à la section <a href="#">page 20, Sélections des fonctions des entrées numériques (H1-01 à H1-05)</a> pour obtenir la liste des sélections.
H2-01 et H2-02	Sélection de la fonction aux bornes M1-M2 et M3-M4	Se reporter à la section <a href="#">page 20, Sélections des fonctions des sorties numériques</a> pour obtenir la liste des sélections.
<b>Réglages des E / S analogiques</b>		
H3-08	Sélection du niveau de signal de l'entrée analogique A2	Sélectionne l'entrée du niveau de signal à l'entrée analogique multifonction A2. <b>0: 0 à +10 V (11 bits).</b> 1: -10 à +10 V 2: 4 à 20 mA (entrée 9 bits). Veillez à basculer S1-2 sur « V » avant d'utiliser une entrée de tension.
H3-09	Sélection de la fonction de l'entrée analogique A2	Sélectionne la fonction de l'entrée analogique multifonction pour la borne A2.

Code de paramètre	Nom	Description
H3-13	Basculement de la borne A1 / A2	Sélectionne la borne sur laquelle la fréquence de référence principale peut être entrée. <b>0: Utilisez l'entrée analogique 1 de la borne A1 comme fréquence de référence principale.</b> 1: Utilisez l'entrée analogique 2 de la borne A2 comme fréquence de référence principale.
H4-01	Sélection du moniteur sur la borne FM	Permet de définir le numéro de l'élément du moniteur à sortir (U1 □□) sur la borne FM / AM.
H4-04	Sélection du moniteur sur la borne AM	
<b>E / S de train d'impulsions</b>		
H6-01	Sélection de la fonction d'entrée du train d'impulsions	Sélectionne la fonction d'entrée du train d'impulsions <b>0: Fréquence de référence</b> 1: Valeur de rétroaction PID 2: Valeur cible PID
H6-02	Echelonement de l'entrée du train d'impulsions	Règle le nombre d'impulsions en Hz correspondant à 100 % de l'élément d'entrée sélectionné dans H6-01.
H6-06	Sélection du moniteur du train d'impulsions	Sélectionne l'élément de sortie du moniteur du train d'impulsions (U1-□□)
H6-07	Echelonement du moniteur d'impulsions	Permet de définir le nombre d'impulsions sorties en Hz lorsque l'élément du moniteur est égal à 100 %.
<b>Protection anticallage</b>		
L3-01	Sélection de la protection anticallage lors de l'accélération (non disponible en mode CLV)	<b>0: Désactivée (Accélération conforme au réglage. Avec une lourde charge, il se peut que le moteur cale.)</b> 1: Activée (L'accélération s'arrête lorsque le niveau de L3-02 est dépassé. L'accélération redémarre lorsque la tension est tombée au-dessous du niveau de protection anticallage.) 2: Mode d'accélération intelligent (utilisant le niveau de réglage de L3-02 comme une base, l'accélération est automatiquement ajustée. Le temps d'accélération de réglage est ignoré.)
L3-04	Sélection de la protection anticallage lors de la décélération	<b>0: Désactivée (Décélération définie. Si le temps de décélération est trop court, il peut se produire une surtension du bus c.c.)</b> 1: Activée (La décélération est arrêtée lorsque la tension du bus c.c. dépasse le niveau de protection anticallage. La décélération redémarre lorsque la tension retombe au-dessous du niveau de protection anticallage.) 2: Mode de décélération intelligent (Le taux de décélération est automatiquement ajusté de sorte que le variateur peut décélérer le plus rapidement possible. Le temps de décélération défini n'est pas pris en compte.) 3: Activée avec résistance au freinage
<b>Redémarrage sur erreur</b>		
L5-01	Nombre de tentatives de redémarrage automatique	Règle le nombre de tentatives de redémarrage automatique. Redémarrage automatique après une erreur et recherche de vitesse à partir de la fréquence de fonctionnement.
L5-02	Choix du fonctionnement du redémarrage automatique	Définit si un relais d'erreur est activé lors d'un redémarrage suite à une erreur. <b>0: Pas de sortie (le relais d'erreur n'est pas activé)</b> 1: Sortie (le relais d'erreur est activé)

Code de paramètre	Nom	Description
<b>Limite du couple (OLV et CLV uniquement)</b>		
L7-01	Limite du couple en entraînement avant	<p>Règle la limite du couple en pourcentage du couple nominal du moteur. Quatre régions individuelles peuvent être réglées.</p> <p style="text-align: center;">Couple de sortie</p> <p style="text-align: center;">Nombre de rotations du moteur</p>
L7-02	Limite du couple en entraînement inverse	
L7-03	Limite du couple régénératif avant	
L7-04	Limite du couple régénératif arrière	
<b>Données de moniteur</b>		
U1-01	Fréquence de référence en Hz / tr / mn	
U1-02	Fréquence de sortie en Hz / tr / mn	
U1-03	Courant de sortie en A	
U1-06	Tension de sortie en Vc.a.	
U1-07	Tension du bus c.c. en Vc.c.	
U1-08	Courant de sortie en kW	
U1-09	Référence de couple	
U1-10	Etat de borne d'entrée	<p>Indique l'état ON / OFF de la borne d'entrée.</p> <p>U1-10 = </p>
U1-11	Etat de borne de sortie	<p>Indique l'état ON / OFF de la sortie.</p> <p>U1-11 = </p>
U1-12	Etat de fonctionnement	<p>Etat de fonctionnement du variateur.</p> <p>U1-12 = </p>
U1-13	Durée de fonctionnement cumulée en heures.	
U1-21	Entrée ASR	
U1-22	Sortie ASR	
U1-34	Paramètre d'erreur de fonctionnement	
U1-40	Temps de fonctionnement du ventilateur en heures	

Code de paramètre	Nom	Description
<b>Données de traçage d'erreur</b>		
U2-01	Erreur en cours	
U2-02	Dernière erreur	
U2-03	Fréquence de référence au moment de l'erreur	
U2-04	Fréquence de sortie au moment de l'erreur	
U2-05	Courant de sortie au moment de l'erreur	
U2-07	Tension de sortie de référence au moment de l'erreur	
U2-08	Tension du bus c.c. au moment de l'erreur	
U2-09	Puissance de sortie au moment de l'erreur	
U2-11	Etat de la borne d'entrée au moment de l'erreur	
U2-12	Etat de la borne de sortie au moment de l'erreur	
U2-13	Etat du fonctionnement au moment de l'erreur	
U2-14	Temps de fonctionnement cumulé à l'erreur	
<b>Données de l'historique des erreurs</b>		
U3-01 à U3-04	De la dernière erreur à la quatrième dernière erreur	
U3-05 à U3-08	Temps de fonctionnement cumulé à l'erreur 1 à 4	
U3-09 à U3-14	De la cinquième dernière erreur à la dixième dernière erreur	
U3-15 à U3-20	Temps cumulé de la cinquième à la dixième erreur	
* Les erreurs suivantes ne sont pas incluses dans le journal des erreurs : CPF00, 01, 02, 03, UV1 et UV2.		
<b>Sélections des fonctions des entrées numériques (H1-01 à H1-05)</b>		
3	Référence de vitesse à pas multiples 1	
4	Référence de vitesse à pas multiples 2	
5	Référence de vitesse à pas multiples 3	
6	Commande fréquence pas à pas (prioritaire par rapport à la vitesse de référence à pas multiples)	
7	Sélection temps accél. / décél. 1	
F	Non utilisé (réglé lorsqu'une borne n'est pas utilisée)	
14	RAZ erreur (RAZ quand réglé sur ON)	
19	Contrôle PI désactivé	
20 à 2F	Erreur externe, mode entrée : contact NO / contact NF, mode de détection : normal / pendant le fonctionnement	
71	Modification du contrôle de vitesse / couple (ON : contrôle de couple)	
77	Commutation du gain du contrôle de vitesse (ASR) (ON : C5-03)	
<b>Sélection des fonctions des sorties numériques (H2-01 et H2-02)</b>		
0	Pendant l'exécution 1 (ON : la commande d'exécution est sur ON, ce qui équivaut à une sortie de tension)	
6	Fonctionnement variateur prêt, READY : après initialisation ou aucune erreur	
F	Non utilisé (réglé lorsque la borne n'est pas utilisée)	
10	Erreur mineure (alarme) (ON : alarme affichée)	
1A	Pendant l'exécution en sens inverse (ON : pendant l'exécution en sens inverse)	
1F	Pré-alarme de surcharge du moteur (OL1, y compris OH3) (ON : 90 % ou plus du taux de détection)	
30	Pendant la limite de couple (limite de courant) (ON : pendant la limite de couple)	
32	Activée si la carte ASR fonctionne pour la limite de couple. La sortie ASR devient le couple de référence, le moteur tourne à la vitesse limite.	

# Résolution des problèmes

## ◆ Erreurs et alarmes générales

Les erreurs et les alarmes signalent des conditions inhabituelles pour le variateur / l'application.

Une alarme ne provoque pas nécessairement l'arrêt du variateur, mais un message s'affiche sur le clavier (code d'alarme clignotant) et une sortie d'alarme peut être générée sur les sorties multifonctions (H2-01 et H2-02) si cela a été programmé. Une alarme disparaît automatiquement si la condition d'alarme n'existe plus.

Une erreur désactive immédiatement la sortie du variateur, un message s'affiche sur le clavier et la sortie d'erreur est activée. L'erreur doit être remise à zéro manuellement une fois que la cause et le signal RUN ont été supprimés.

Le tableau suivant affiche la liste des erreurs et des alarmes avec les corrections correspondantes.

Affichage	Alarme	Erreur	Signification	Corrections
BUS Option Com Err	○		Alarme de communication de la carte en option Une fois la communication initiale établie, la connexion a été perdue.	Contrôlez les connexions et toutes les configurations logicielles utilisateur.
CF Out of Control		○	Erreur de contrôle La limite du couple a été atteinte de manière continue pendant 3 secondes ou plus lors d'arrêt avec décélération au cours du contrôle vectoriel en boucle ouverte.	Vérifiez les paramètres du moteur.
CPF00 COM-ERR(OP&INV)		○	Erreur de communication de la console numérique 1 / 2 • Erreur de communication entre la console et le variateur • Erreur RAM externe de l'UC	<ul style="list-style-type: none"> <li>Débranchez l'opérateur numérique, puis rebranchez-le.</li> <li>Coupez l'alimentation du variateur et remettez-le sous tension.</li> <li>Remplacez le variateur.</li> </ul>
CPF01 COM-ERR(OP&INV)				
CPF02 BB Circuit Err		○	Erreur CPF02 Erreur du circuit de l'étage de sortie bloqué	<ul style="list-style-type: none"> <li>Initialisez les erreurs par défaut.</li> <li>Coupez l'alimentation du variateur et remettez-le sous tension.</li> <li>Remplacez le variateur.</li> </ul>
CPF03 Erreur EEPROM		○	CPF03 Erreur EEPROM	
CPF04 Internal A / D Err		○	CPF04 Erreur du variateur A / D interne de la carte UC	
DEV Speed Deviation		○	F1-04 = 0, 1 ou 2 et A1-02 = 1 ou 3 La déviation de vitesse a été supérieure à celle définie dans F1-10 pendant une période plus longue que celle définie dans F1-11.	<ul style="list-style-type: none"> <li>Réduisez la charge.</li> <li>Augmentez les temps d'accélération et de décélération.</li> <li>Vérifiez le système mécanique.</li> <li>Contrôlez les paramètres F1-10 et F1-11.</li> <li>Contrôlez la séquence et vérifiez si le frein s'ouvre lors du démarrage du variateur pour augmenter la vitesse.</li> </ul>
		○	F1-04 = 3 et A1-02 = 1 ou 3 La déviation de vitesse a été supérieure à celle définie dans F1-10 pendant une période plus longue que celle définie dans F1-11.	
EF External Fault	○		Saisie simultanée des commandes de fonctionnement avant / arrière. Les commandes de fonctionnement avant / arrière sont saisies simultanément pour 500 ms ou plus. Cette alarme interrompt le fonctionnement du moteur.	Contrôlez la logique de séquence externe de telle sorte qu'une seule entrée soit activée à la fois.
EF0 Opt External Flt		○	Entrée d'erreur externe à partir de la carte de communication en option	<ul style="list-style-type: none"> <li>Vérifiez s'il existe une condition d'erreur externe.</li> <li>Contrôlez les paramètres.</li> <li>Contrôlez les signaux de communication.</li> </ul>
EFx Ext Fault Sx	○	○	Erreur externe à la borne Sx (x désigne les bornes S3 à S7)	Supprimez la cause de la condition d'erreur externe.
Ext Run Active Cannot Reset	○		Détectée après une erreur lorsqu'une commande de remise à zéro est activée et que la commande RUN est encore active.	Supprimez le signal RUN et réinitialisez l'erreur.
GF Ground Fault		○	Erreur de masse Le courant de masse au niveau de la sortie du variateur a dépassé de 50 % le courant de sortie nominal du variateur et L8-09 = 1 (activé).	<ul style="list-style-type: none"> <li>Déposez le moteur et faites fonctionner le variateur sans le moteur.</li> <li>Vérifiez qu'il n'y a pas de court-circuit entre phase et terre au niveau du moteur.</li> <li>Contrôlez le courant de sortie avec un testeur pour vérifier la valeur du DCCT.</li> <li>Recherchez les signaux de contacteur moteur incorrects dans la séquence de contrôle.</li> </ul>

Affichage	Alarme	Erreur	Signification	Corrections
OC Over Current		○	Surintensité Le courant de sortie du variateur a dépassé le taux de détection de surintensité.	<ul style="list-style-type: none"> <li>Déposez le moteur et faites fonctionner le variateur sans le moteur.</li> <li>Vérifiez que le moteur ne présente pas de court-circuit phase à phase.</li> <li>Contrôlez les temps d'accél. / décel. (C1-□□).</li> <li>Vérifiez que le variateur ne présente pas de court-circuit phase à phase à la sortie.</li> </ul>
OH Heatsnk Overtemp		○	Surchauffe du radiateur L8-03 = 0, 1 ou 2 et la température de l'ailette de refroidissement du variateur a dépassé la valeur de L8-02.	<ul style="list-style-type: none"> <li>Vérifiez que les ventilateurs ou le radiateur ne sont pas encrassés.</li> <li>Baissez la température ambiante autour de l'installation.</li> <li>Remplacez le(s) ventilateur(s).</li> </ul>
		○	Ventilateur du variateur arrêté L8-03 = 3 ou 4 et la température de l'ailette de refroidissement du variateur a dépassé la valeur de L8-02.	
OH1 Heatsink Max Temp		○	Surchauffe du radiateur La température du radiateur du variateur a dépassé 105 °C.	<ul style="list-style-type: none"> <li>Vérifiez que les ventilateurs ou le radiateur ne sont pas encrassés.</li> <li>Baissez la température ambiante autour de l'installation.</li> <li>Remplacez le(s) ventilateur(s).</li> </ul>
			Ventilateur de refroidissement du variateur arrêté	
OL1 Motor Overload		○	Surcharge du moteur Détectée lorsque L1-01 = 1, 2 ou 3 et que la valeur I <sub>st</sub> du variateur a dépassé la courbe de surcharge du moteur. La courbe de surcharge peut être réglée en utilisant les paramètres E2-01 (courant nominal du moteur), L1-01 (sélection de la protection du moteur) et L2-02 (constante de temps de la protection du moteur).	<ul style="list-style-type: none"> <li>Vérifiez de nouveau le temps de cycle, la taille de la charge et les temps d'accél. / décel. (C1-□□).</li> <li>Vérifiez les caractéristiques V / f (E1-□□).</li> <li>Vérifiez la configuration du courant nominal du moteur (E2-01).</li> </ul>
OL2 Inv Overload		○	Surcharge du variateur Le courant de sortie du variateur a dépassé la capacité de surcharge du variateur.	<ul style="list-style-type: none"> <li>Vérifiez de nouveau le temps de cycle, la taille de la charge et les temps d'accél. / décel. (C1-□□).</li> <li>Vérifiez les caractéristiques V / f (E1-□□).</li> <li>Vérifiez si le courant nominal du variateur correspond au courant nominal du moteur.</li> </ul>
OS Overspeed Det.		○	F1-03 = 0, 1 ou 2 et A1-02 = 1 ou 3 Le retour vitesse du moteur (U1-05) a dépassé la valeur configurée dans F1-08 pendant plus longtemps que la valeur définie dans F1-09.	<ul style="list-style-type: none"> <li>Réglez les paramètres ASR dans le groupe de paramètres C5.</li> <li>Vérifiez le circuit de référence et le gain de référence.</li> <li>Vérifiez les valeurs de F1-08 et F1-09.</li> </ul>
		○	F1-03 = 3 et A1-02 = 1 ou 3 Le retour vitesse du moteur (U1-05) a dépassé la valeur configurée dans F1-08 pendant plus longtemps que la valeur définie dans F1-09.	
OV DC Bus Overvolt	○ (uniquement dans une condition d'arrêt)	○	La tension c.c. du bus a dépassé le niveau de détection de surtension. Les niveaux de détection d'erreur sont : Classe 200 V : 410 Vc.c. Classe 400 V : 820 Vc.c.	<ul style="list-style-type: none"> <li>Augmentez le temps de décélération (C1-02 / 04) ou raccordez une option de freinage.</li> <li>Contrôlez l'alimentation électrique et diminuez la tension afin qu'elle soit comprise dans les tolérances du variateur.</li> <li>Vérifiez le hacheur / résistance de freinage.</li> </ul>
PF Input Phase Loss		○	Perte de phase d'entrée Ondulation de tension du bus c.c. excessive. Détectée uniquement lorsque L8-05 = 1 (activé)	<ul style="list-style-type: none"> <li>Serrez les vis de borne d'entrée.</li> <li>Vérifiez la tension d'alimentation.</li> </ul>
PGO PG Open		○	Déconnexion PG Détectée lorsque F1-02 = 0, 1 ou 2 et A1-02 = 1 ou 3. Détectée lorsque aucune impulsion de codeur PG n'est reçue pendant plus longtemps que la valeur configurée pour F1-14.	<ul style="list-style-type: none"> <li>Réparez le câble cassé / déconnecté.</li> <li>Alimentez le PG correctement.</li> <li>Contrôlez la séquence et vérifiez si le frein s'ouvre lors du démarrage du variateur pour augmenter la vitesse.</li> </ul>
		○	Déconnexion PG Détectée lorsque F1-02 = 3 et A1-02 = 1 ou 3. Aucune impulsion de codeur PG n'est reçue pendant plus longtemps que la valeur configurée pour F1-14.	

Affichage	Alarme	Erreur	Signification	Corrections
PUF DC Bus Fuse Open		○	DC Bus Fuse Open Le fusible du circuit principal est sauté. Avertissement : Aucune impulsion de codeur PG n'est reçue pendant plus longtemps que la valeur configurée pour F1-14.	<ul style="list-style-type: none"> <li>Vérifiez que le moteur et le câblage du moteur ne présentent pas de court-circuit ou de défaut d'isolation (phase à phase).</li> <li>Remplacez le variateur après avoir corrigé l'erreur.</li> </ul>
RR DynBrk Transistr		○	Transistor de freinage dynamique Le transistor de freinage dynamique intégré est défectueux.	<ul style="list-style-type: none"> <li>Coupez l'alimentation puis remettez sous tension le variateur.</li> <li>Remplacez le variateur.</li> </ul>
UV1 DC Bus Undervolt	○ (uniquement dans une condition d'arrêt)	○	La tension du bus c.c. est au-dessous du niveau de détection de sous-tension. (L2-05). Les valeurs par défaut sont les suivantes : Classe 200 V : 190 Vc.c. Classe 400 V : 380 Vc.c.  Erreur de fonctionnement MC du circuit principal. Aucune réponse MC pendant le fonctionnement du variateur.	<ul style="list-style-type: none"> <li>Vérifiez la tension d'entrée.</li> <li>Contrôlez le câblage des bornes d'entrée.</li> <li>Contrôlez la tension d'entrée et le câblage des bornes d'entrée.</li> <li>Augmentez les paramètres de C1-01 / 03</li> </ul> Remplacez le variateur.
UV2 CTL PS Undervolt		○	Sous-tension de l'alimentation de contrôle Sous-tension du circuit de contrôle lors du fonctionnement du variateur.	<ul style="list-style-type: none"> <li>Retirez toutes les connexions aux bornes de contrôle et coupez l'alimentation puis remettez sous tension le variateur.</li> <li>Remplacez le variateur.</li> </ul>

## ◆ Erreurs de programmation de l'opérateur

Une erreur de programmation de l'opérateur (OPE) se produit lorsque plusieurs paramètres apparentés sont configurés de façon incorrecte ou que la valeur d'un paramètre individuel est inappropriée. Le variateur ne fonctionne pas tant que la valeur du paramètre n'a pas été corrigée. Cependant, aucune autre sortie d'alarme ou d'erreur n'est déclenchée. En cas d'erreur de programmation de l'opérateur, modifiez le paramètre concerné en recherchant la cause affichée dans le tableau ci-dessous. Lorsqu'une erreur de programmation de l'opérateur s'affiche, appuyez sur la touche ENTREE pour afficher U1-34 (OPE Detected). Ce moniteur affiche le paramètre à l'origine de l'erreur de programmation de l'opérateur.

Affichage	Signification	Corrections
OPE01 kVA Selection	Erreur de configuration du variateur kVA	Entrée la valeur kVA correcte dans o2-04.
OPE02 Limit	La valeur du paramètre est en dehors de la plage.	Contrôlez la configuration des paramètres.
OPE03 Terminal	L'une des erreurs suivantes s'est produite dans les paramètres de l'entrée multifonction (H1-01 à H1-05) : <ul style="list-style-type: none"> <li>Des fonctions doubles ont été sélectionnées.</li> <li>Les commandes haut / bas (paramètres 10 et 11) n'ont pas été sélectionnées simultanément.</li> <li>Les commandes haut / bas (10 et 11) et Maintenir rampe accél. / décél. (A) ont été sélectionnées en même temps.</li> <li>Plusieurs entrées de recherche de la vitesse (61, 62, 64) ont été configurées simultanément.</li> <li>Étage de sortie externe NO (8) et étage de sortie externe NC (9) ont été sélectionnés en même temps.</li> <li>Les commandes haut / bas (10 et 11) ont été sélectionnées alors que le contrôle PID était activé.</li> <li>Les commandes d'arrêt d'urgence NO (15) et NC (17) sont réglées simultanément.</li> <li>PID activé et les commandes haut et / ou bas (10 / 11) sont réglées.</li> <li>Les commandes HSB (68) et KEB (65 / 66) sont réglées simultanément.</li> </ul>	Vérifiez la configuration des paramètres dans H1-□□
OPE05 Sequence Select	Erreur de sélection de commande RUN / de référence La sélection d'une source de référence b1-01 et / ou le paramètre de sélection de source RUN b1-02 est / sont réglé(s) sur 3 (carte en option), mais aucune carte en option n'est installée.	<ul style="list-style-type: none"> <li>Vérifiez que la carte est installée. Coupez l'alimentation et réinstallez la carte en option.</li> <li>Vérifiez de nouveau la configuration de b1-01 et b1-02.</li> </ul>
OPE06 PG Opt Missing	Erreur de sélection de la méthode de contrôle Une méthode de contrôle nécessitant une rétroaction PG a été sélectionnée (A1-02 = 1 ou 3) mais aucune carte en option PG n'est installée.	Vérifiez la méthode de contrôle du paramètre A1-02 et / ou l'installation de la carte en option PG.



Affichage	Signification	Corrections
OPE08 Constant Selection	Erreur de sélection de fonction Une valeur applicable avec la méthode de contrôle actuelle a été configurée. Exemple : une fonction utilisée uniquement avec le contrôle de vecteur en boucle ouverte a été sélectionnée pour le contrôle V / f.	Vérifiez la méthode de contrôle et la fonction.
OPE010 V / f Ptrn Setting	Erreur de configuration des paramètres V / f	Vérifiez les paramètres (E1-□□). Une fréquence / tension est peut-être configurée à une valeur supérieure à la fréquence / tension maximale.

## ◆ Erreurs de réglage automatique

Les erreurs de réglage automatique sont indiquées ci-dessous. Lorsque les erreurs suivantes sont détectées, l'erreur s'affiche sur l'opérateur numérique et le moteur s'arrête par inertie. Aune alarme ou sortie d'erreur ne se déclenche.

Affichage	Signification	Corrections
Er-01 Fault	Erreur de données moteur	<ul style="list-style-type: none"> <li>• Vérifiez les données d'entrée.</li> <li>• Vérifiez la capacité du moteur et du variateur.</li> <li>• Vérifiez le courant nominal du moteur et le courant hors charge.</li> </ul>
Er-02 Minor Fault	Alarme	<ul style="list-style-type: none"> <li>• Vérifiez les données d'entrée.</li> <li>• Vérifiez le câblage et la machine.</li> <li>• Vérifiez la charge.</li> </ul>
Er-03 STOP key	Utilisation de la touche STOP	-
Er-04 Resistance	Erreur de résistance ligne à ligne Le résultat du réglage automatique n'est pas compris dans la plage de sélection du paramètre.	<ul style="list-style-type: none"> <li>• Vérifiez les données d'entrée.</li> <li>• Vérifiez le câblage du moteur.</li> <li>• Si le moteur est connecté à la machine, déconnectez-le.</li> <li>• Si la valeur configurée pour T1-03 est supérieure à la tension d'alimentation d'entrée du variateur (E1-01), modifiez les données d'entrée.</li> </ul>
Er-05 No-Load Current	Erreur de courant hors charge Le résultat du réglage automatique n'est pas compris dans la plage de sélection du paramètre.	
Er-08 Rated slip	Erreur de glissement nominal Le résultat du réglage automatique n'est pas compris dans la plage de sélection du paramètre.	
Er-09 Accelerate	Erreur d'accélération (réglage automatique avec rotation uniquement) Le moteur n'a pas effectué l'accélération dans le temps spécifié (C1-10+10 s).	<ul style="list-style-type: none"> <li>• Augmentez C1-01 (temps d'accélération)</li> <li>• Augmentez L7-01 et L7-02 (limites du couple).</li> <li>• Si le moteur est connecté à la machine, déconnectez-le.</li> </ul>
Er-11 Motor Speed	Erreur de vitesse du moteur (réglage automatique avec rotation uniquement) Le couple de référence a dépassé 100 % lors de l'accélération. Déteçtée uniquement lorsque A1-02 = 2 ou 3 (modes de contrôle vectoriel).	<ul style="list-style-type: none"> <li>• Si le moteur est connecté à la machine, déconnectez-le.</li> <li>• Augmentez C1-01.</li> <li>• Vérifiez les données d'entrée (en particulier le nombre d'impulsions PG et le nombre de pôles du moteur).</li> </ul>
Er-12 I-det. Circuit	Erreur de détection du courant <ul style="list-style-type: none"> <li>• Le courant a dépassé le courant nominal du moteur.</li> <li>• U / T1, V / T2 ou W / T3 a une phase ouverte.</li> </ul>	Vérifiez le câblage du variateur et le montage.
Er-13 Erreur d'inductance de fuite	Erreur d'inductance de fuite Le résultat du réglage automatique n'est pas compris dans la plage de sélection du paramètre.	Vérifiez le câblage du moteur.
End-1 V / f Over Setting	Alarme de configuration du courant nominal S'affiche une fois que le réglage automatique est terminé. Lors du réglage automatique, la valeur mesurée pour le courant nominal du moteur (E2-01) était supérieure à la valeur de consigne.	Vérifiez le courant nominal du moteur.
End-2 Saturation	Alarme de saturation du noyau du moteur (réglage automatique par rotation uniquement)	<ul style="list-style-type: none"> <li>• Vérifiez les données d'entrée.</li> <li>• Vérifiez le câblage du moteur.</li> <li>• Si le moteur est connecté à la machine, déconnectez-le.</li> </ul>
End-3 Rated FLA Alm	Alarme de configuration du courant nominal Lors du réglage automatique, la valeur mesurée pour le courant nominal du moteur (E2-01) était supérieure à la valeur de consigne.	Vérifiez le courant nominal du moteur.

# Manuale di avvio rapido di F7Z

## Sommario

<b>Avvertenze .....</b>	<b>IT-2</b>
◆ Precauzioni di sicurezza e istruzioni .....	IT-3
◆ Compatibilità elettromagnetica (EMC) .....	IT-4
<b>Installazione .....</b>	<b>IT-6</b>
◆ Installazione meccanica .....	IT-6
◆ Collegamento elettrico .....	IT-8
◆ Cablaggio degli ingressi del circuito principale .....	IT-12
<b>Funzionamento tastierino .....</b>	<b>IT-14</b>
◆ Display della console di programmazione (opzionale) .....	IT-14
<b>Avvio e configurazione di base dei parametri .....</b>	<b>IT-15</b>
◆ Procedura di avvio .....	IT-15
◆ Prima dell'avvio .....	IT-16
◆ Display dopo l'avvio .....	IT-16
◆ Autotuning .....	IT-16
<b>Parametro utente .....</b>	<b>IT-18</b>
<b>Soluzione dei problemi .....</b>	<b>IT-21</b>
◆ Errori e allarmi generali .....	IT-21
◆ Errori di programmazione console .....	IT-23
◆ Errori di autotuning .....	IT-24



## ATTENZIONE

**Non collegare o scollegare i cavi e non eseguire test di segnale mentre è attivata l'alimentazione.**

Il condensatore del bus in continua Varispeed F7 rimane carico anche dopo la disattivazione dell'alimentazione. Per evitare il pericolo di scosse elettriche, scollegare l'inverter dall'alimentazione principale prima di eseguire la manutenzione. Attendere, quindi, almeno 5 minuti dallo spegnimento di tutti i LED.

Non effettuare test di resistenza alla tensione su nessun componente del Varispeed. L'inverter contiene dei semiconduttori che non sono adatti per tensioni così elevate.

Non scollegare la console di programmazione mentre è attivata l'alimentazione. Non toccare nemmeno il circuito stampato mentre l'inverter è collegato all'alimentazione.

Non collegare mai filtri di soppressione interferenze generali LC/RC, condensatori o strumenti di protezione da sovratensione all'ingresso o all'uscita dell'inverter.

Per evitare il rilevamento di errori di sovracorrente e simili, i contatti di segnale di ogni contattore o commutatore posto tra l'inverter e il motore devono essere integrati nella logica di controllo dell'inverter (ad esempio, in un blocco delle basi).

Indispensabile

Leggere attentamente e per intero il presente manuale prima di collegare e mettere in funzione l'inverter. Seguire tutte le precauzioni di sicurezza e le istruzioni per l'uso.

L'inverter può essere fatto funzionare con filtri di linea appropriati, secondo le istruzioni per l'installazione riportate nel presente manuale, e con tutte le coperture chiuse e i terminali coperti.

Solo in questo modo viene garantita la protezione adeguata. Non collegare o azionare dispositivi con danni visibili o parti mancanti. L'utente è responsabile di eventuali danni a persone o apparecchiature derivanti dalla mancata osservanza delle avvertenze contenute nel presente manuale.

## ◆ Precauzioni di sicurezza e istruzioni

### ■ Indicazioni generali

Leggere per intero le seguenti precauzioni per la sicurezza e le istruzioni per l'uso prima di installare e azionare l'inverter. Leggere anche tutti i cartelli d'avviso sull'inverter e assicurarsi che non siano danneggiati o siano stati asportati.

È possibile accedere durante il funzionamento a componenti caldi e sotto tensione. Rimuovendo parti dell'alloggiamento, la console di programmazione o le coperture dei terminali si corre il rischio di ferirsi gravemente o di provocare danni in caso di installazione o funzionamento non corretto. Il fatto che gli inverter comandano componenti di apparecchiature rotanti potrebbe comportare altri pericoli.

Seguire le istruzioni in questo manuale. L'installazione, il funzionamento e la manutenzione possono essere eseguiti solo da personale qualificato. A tale proposito per personale qualificato si intendono persone che hanno familiarità con l'installazione, l'avviamento, il funzionamento e la manutenzione degli inverter e sono in possesso delle qualifiche adeguate per svolgere questo lavoro. Un funzionamento sicuro di queste unità è possibile solo se vengono utilizzate correttamente per l'uso cui sono designate.

I condensatori del bus in continua possono restare in tensione per circa 5 minuti dopo che è stata disattivata l'alimentazione dell'inverter. È quindi necessario lasciar trascorrere questo periodo di tempo prima di aprire i coperchi. Tutti i terminali dei circuiti principali possono trasportare ancora cariche di tensione pericolose.

Non far accedere a questi inverter bambini o altre persone non autorizzate.

Tenere le Misure per la Sicurezza ed Istruzioni per l'Uso a portata di mano e consegnarle a tutte le persone che hanno accesso, per qualsiasi motivo, agli inverter.

### ■ Uso designato

Gli inverter sono stati concepiti per l'installazione su sistemi o macchinari elettrici.

La loro installazione su macchinari o sistemi deve essere conforme ai seguenti standard di prodotto delle Direttive per la Bassa Tensione:

- |                      |   |
|----------------------|---|
| EN 50178, 1997-10,   | Equipaggiamento di sistemi elettrici con dispositivi elettronici  |
| EN 60204-1, 1997-12  | Sicurezza delle macchine ed equipaggiamento con dispositivi elettronici<br>Parte 1: Norme generali (IEC 60204-1:1997)/<br>Nota: comprende l'errata corrige del settembre 1998 |
| EN 61010-1, A2, 1995 | Norme sulla sicurezza per apparecchi informatici IT<br>(IEC 950, 1991 + A1, 1992 + A2, 1993 + A3, 1995 + A4, 1996, modificata)  |

Il simbolo CE si riferisce alla normativa EN 50178 per l'uso dei filtri di linea specificati in questo manuale e secondo le istruzioni d'installazione appropriate.

### ■ Trasporto e conservazione

Le istruzioni per il trasporto, la conservazione ed un trattamento adeguato devono essere seguite in conformità ai dati tecnici.

### ■ Installazione

Installare e raffreddare gli inverter come specificato nella documentazione. L'aria di raffreddamento deve affluire nella direzione specificata. È quindi possibile azionare l'inverter solo nella posizione specificata (ad esempio, verticale). Mantenere le distanze specificate. Proteggere gli inverter da carichi non consentiti. I componenti non devono essere piegati e la distanza di isolamento non deve essere modificata. Per evitare danni causati dall'elettricità statica non toccare nessun componente elettronico.

## ■ Collegamento elettrico

Svolgere tutti i lavori su apparecchiature sotto tensione in conformità con le norme nazionali sulla sicurezza e la prevenzione degli incidenti sul lavoro. Effettuare tutte le installazioni elettriche in conformità con le normative in materia. In particolare, seguire le istruzioni per l'installazione che garantiscono la compatibilità elettromagnetica (EMC), quali la schermatura, la messa a terra, la disposizione dei filtri e la stesura dei cavi. Tutto ciò si riferisce anche ad apparecchiature con il contrassegno CE. Il produttore del sistema o della macchina è responsabile per la conformità dei limiti EMC.

Contattare il proprio fornitore o il rappresentante di Omron Yaskawa Motion Control se si usano differenziali o magnetotermici insieme agli inverter.

In alcuni sistemi potrebbe essere necessario utilizzare dispositivi di monitoraggio e sicurezza aggiuntivi in conformità con le norme sulla sicurezza e la prevenzione degli incidenti sul lavoro. L'hardware degli inverter non deve essere modificato.

## ■ Note

Gli inverter Varispeed F7 sono certificati CE, UL e cUL

---

## ◆ Compatibilità elettromagnetica (EMC)

### ■ Introduzione

Il presente manuale è stato redatto per aiutare i produttori di sistemi ad usare gli inverter OMRON YASKAWA Motion Control (OYMC) e installare meccanismi elettrici di comando. Descrive anche le misure necessarie per adempiere alle direttive di (EMC). Per questo motivo, occorre seguire le istruzioni contenute nel manuale per l'installazione e il cablaggio.

I prodotti Omron vengono testati da enti autorizzati secondo gli standard elencati di seguito.

Standard prodotto: EN 61800-3: 1996  
EN 61800-3; A11: 2000

### ■ Misure per garantire la conformità degli inverter OYMC alle direttive EMC.

Gli inverter OYMC non devono essere necessariamente installati in un quadro.

Non è possibile fornire informazioni dettagliate per tutte le possibili modalità di installazione. Questo manuale si limita pertanto a dare direttive di carattere generale.

Tutti gli apparecchi elettrici producono interferenze radio e di linea a varie frequenze. I cavi trasmettono queste interferenze all'ambiente allo stesso modo di una antenna.

Pertanto, il collegamento di un apparecchio elettrico (ad esempio, un inverter) all'alimentazione senza un filtro di linea potrebbe provocare interferenze di alta o bassa frequenza nell'alimentazione principale.

Contromisure di base sono l'isolamento del cablaggio dei componenti elettrici e di controllo, una messa a terra appropriata e la schermatura dei cavi.

Per una messa a terra a bassa impedenza delle interferenze d'alta frequenza è necessaria un'ampia area di contatto. È pertanto consigliabile l'uso di piattine di terra al posto di cavi.

Inoltre, le schermature dei cavi devono essere collegate con dei fermi di messa a terra specifici.

## ■ Stesura dei cavi

Misure contro interferenze portate dalla linea:

Il filtro di linea e l'inverter di frequenza devono essere montati sulla stessa piastra di metallo. Montare i due componenti il più possibile vicini l'uno all'altro mantenendo ogni cavo il più corto possibile.

Utilizzare un cavo di alimentazione con una buona schermatura di messa a terra. Per cavi motore di lunghezza non superiore a 50 metri, utilizzare cavi schermati. Disporre tutti i punti di messa a terra in modo tale da massimizzare l'area all'estremità del conduttore a contatto con il terminale di messa a terra (ad esempio, una piastra di metallo).

Cavo schermato:

- Utilizzare un cavo con schermatura intrecciata.
- Mettere a terra l'area massima consentita della schermatura. È consigliabile mettere a terra la schermatura collegando il cavo alla piastra di terra con fermi in metallo (vedere la figura seguente).

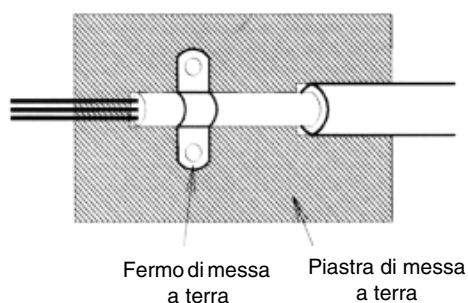


Fig 1 Collegamento a terra della schermatura del cavo con fermi in metallo

Le superfici di terra devono essere in metallo non isolato altamente conduttivo. Rimuovere eventuali strati di vernice o colore.

- Mettere a terra le schermature del cavo su entrambe le estremità.
- Mettere a terra il motore della macchina.

# Installazione

## ◆ Installazione meccanica

### ■ Rimuovere l'inverter dall'imballaggio

Dopo aver rimosso l'inverter dall'imballaggio, verificare i seguenti elementi.

Verifica	Metodo
È stato consegnato il modello esatto di inverter?	Controllare il numero del modello sulla targa a lato dell'inverter.
L'inverter risulta danneggiato?	Esaminare la superficie esterna dell'inverter per vedere se vi sono graffi o altri danni dovuti alla spedizione.
Si sono allentate alcune viti o altri componenti?	Utilizzare un cacciavite o altri attrezzi per controllare il serraggio.

Se si riscontrano delle irregolarità negli elementi riportati sopra, contattare immediatamente il rivenditore presso il quale è stato acquistato l'inverter o il proprio rappresentante Omron Yaskawa Motion Control.

### ■ Verificare il luogo di installazione

Delle coperture di protezione sono collegate sulle parti superiore e inferiore degli inverter NEMA 1 e IP20. Accertarsi di rimuovere il coperchio superiore prima di azionare l'inverter di classe 200 o 400 V con una capacità di 18,5 kW o inferiore in un pannello.

Durante l'installazione dell'inverter, è necessario osservare le seguenti precauzioni:

- Installare l'inverter in un ambiente pulito privo di nebbia d'olio e polvere.  
È possibile installare l'inverter in un pannello completamente chiuso e protetto dalla polvere.
- Durante l'installazione o il funzionamento dell'inverter, proteggerlo sempre dal contatto con polveri metalliche, olio, acqua o altre sostanze.
- Non installare l'inverter su un materiale combustibile come il legno.
- Installare l'inverter in un ambiente privo di materiali radioattivi e combustibili.
- Installare l'inverter in un ambiente in cui non sono presenti liquidi e gas nocivi.
- Installare l'inverter in un ambiente senza troppe oscillazioni.
- Installare l'inverter in un ambiente in cui non è presente del cloruro.
- Installare l'inverter in un ambiente non esposto alla luce diretta del sole.

## ■ Posizione di installazione

Installare l'inverter in posizione verticale in modo da non ridurre l'effetto di raffreddamento. Durante l'installazione dell'inverter, accertarsi sempre che lo spazio di installazione sia sufficiente per consentire una normale dispersione di calore.

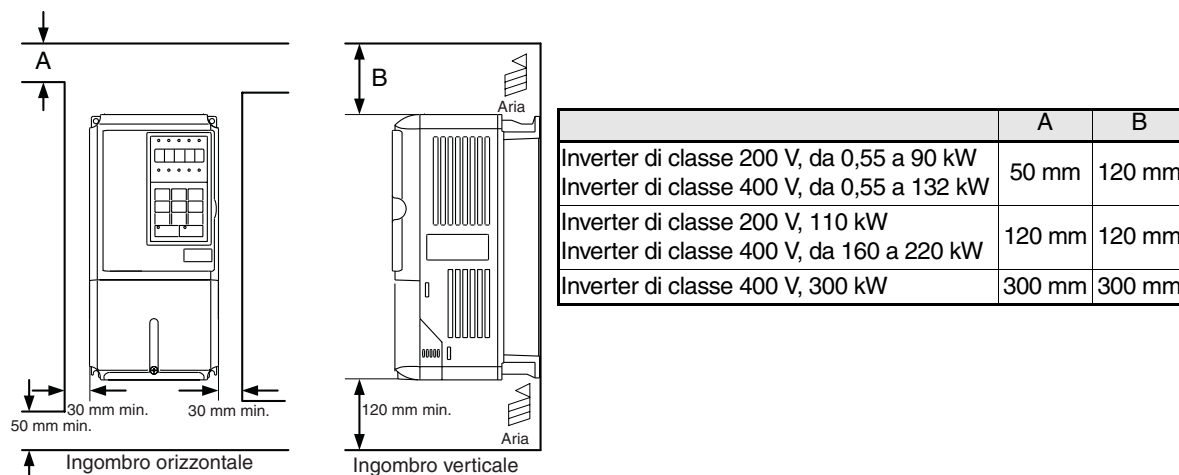


Fig 2 Spazio di installazione



1. Per gli inverter IP00, IP20 e NEMA 1, è richiesto lo stesso spazio sia orizzontale che verticale.
  2. Rimuovere sempre il coperchio di protezione superiore dopo aver installato in un pannello un inverter con un'uscita da 18,5 kW o inferiore.
- Quando si installa in un pannello un inverter con un'uscita da 22 kW o superiore, accertarsi sempre che vi sia abbastanza spazio per i bulloni a occhiello di sospensione e le linee del circuito principale.

## ■ Installazione di inverter e filtri EMC

Prendere in considerazione i seguenti punti per un'installazione conforme alle normative EMC:

- Utilizzare un filtro di linea.
- Utilizzare cavi motore schermati.
- Installare l'inverter e il filtro su una piastra di messa a terra conduttiva.
- Rimuovere qualsiasi traccia di vernice o sporcizia prima di montare i componenti, al fine di ottenere un'impedenza di messa a terra il più bassa possibile.

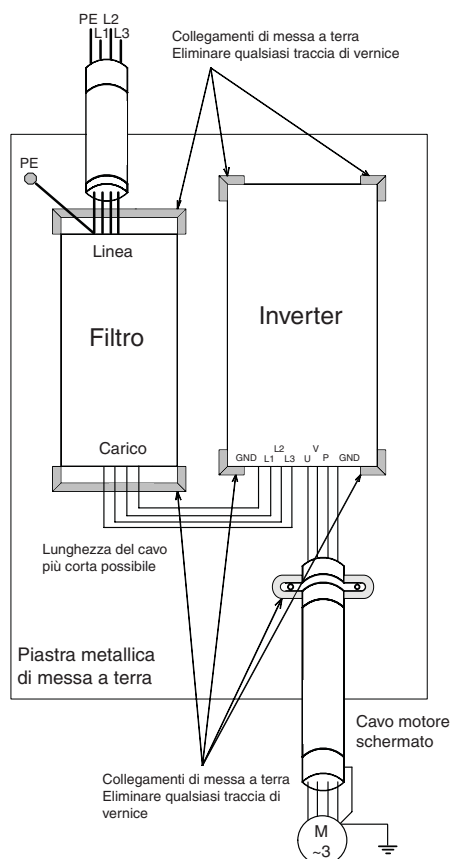


Fig 3 Installazione filtro EMC



## ◆ Collegamento elettrico

### ■ Cablaggio dell'inverter

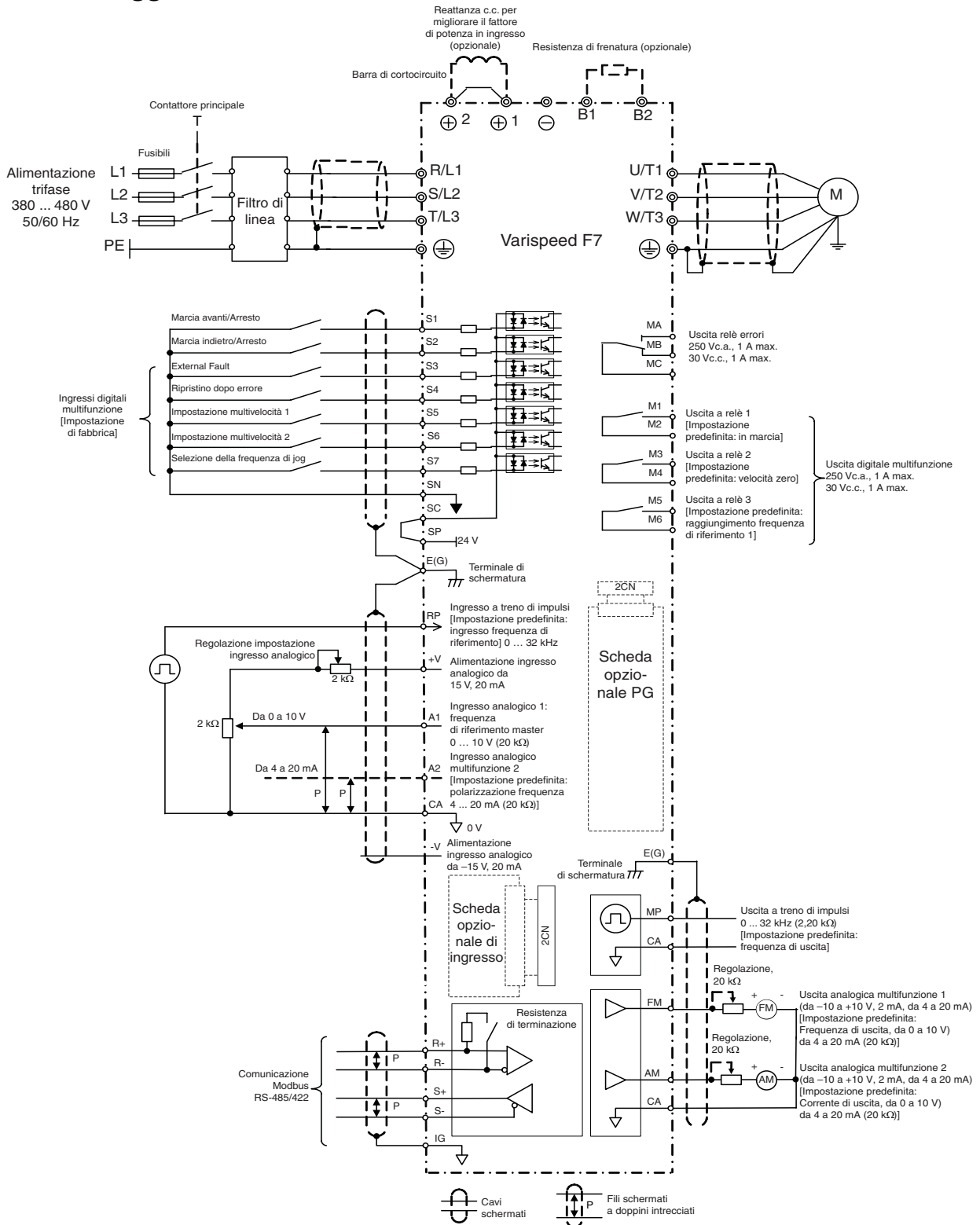


Fig 4 Schema di cablaggio

## ■ Terminali circuito principale

Le funzioni dei terminali del circuito principale vengono riepilogate nella [Tabella 1](#) in base ai simboli dei terminali. Cablare i terminali correttamente per lo scopo desiderato.

Tabella 1 Funzioni terminali circuito principale (classi 200 V e 400 V)

Scopo	Codice terminale	Modello: CIMR-F7Z□□□□	
		Classe 200 V	Classe 400 V
Ingresso alimentazione circuito principale	R/L1, S/L2, T/L3	20P4 ... 2110	40P4 ... 4300
	R1/L11, S1/L21, T1/L31	2022 ... 2110	4022 ... 4300
Uscite inverter	U/T1, V/T2, W/T3	20P4 ... 2110	40P4 ... 4300
Terminali bus in continua	⊕1, ⊖	20P4 ... 2110	40P4 ... 4300
Collegamento modulo di frenatura	B1, B2	20P4 ... 2018	40P4 ... 4018
Collegamento reattanza c.c.	⊕1, ⊕2	20P4 ... 2018	40P4 ... 4018
Collegamento modulo di frenatura	⊕3, ⊖	2022 ... 2110	4022 ... 4300
Messa a terra	⊖	20P4 ... a 2110	40P4 ... 4300

## ■ Terminali circuito di controllo

[Fig 5](#) Mostra la disposizione dei terminali di controllo. Le funzioni dei terminali del circuito di controllo vengono indicate nella [Tabella 2](#). Utilizzare i terminali appropriati.

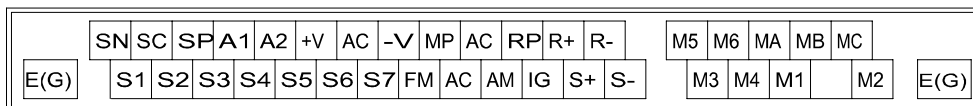


Fig 5 Disposizione terminali di controllo

Tabella 2 Terminali del circuito di controllo con impostazioni predefinite

Tipo	Numero	Nome segnale	Funzione	Livello del segnale	
Segnali ingressi digitali	S1	Comando di marcia avanti/arresto	Marcia avanti quando è ON e arresto quando è OFF.	24 Vc.c., 8 mA Fotoisolatore	
	S2	Comando marcia indietro/arresto	Marcia indietro quando è ON e arresto quando è OFF.		
	S3	Ingresso errore esterno *1	Errore quando è ON.		
	S4	Ripristino dopo errore *1	Ripristino quando è ON.		
	S5	Multivelocità di riferimento 1 *1 (commutatore master/ausiliario)	Frequenza di riferimento ausiliaria quando è ON.		
	S6	Multivelocità di riferimento 2 *1	Multivelocità 2 quando è ON.		
	S7	Frequenza di riferimento di jog *1	Frequenza di jog quando è ON.		
	SC	Comune ingressi digitali	–	–	
	SN	Neutro ingressi digitali	–	–	
	SP	Alimentazione ingressi digitali	Alimentazione da +24 Vc.c. per gli ingressi digitali	24 Vc.c., 250 mA max. *2	
Segnali ingressi analogici	+V	Alimentazione da 15 V	Alimentazione da 15 V per i riferimenti analogici	15 V (corrente max.: 20 mA)	
	A1	Frequenza di riferimento	Da 0 a +10 V/100%	–10 ... +10 V (20 kΩ) da 0 a +10 V (20 kΩ)	
	A2	Frequenza di riferimento ausiliaria	Frequenza di riferimento analogica ausiliaria; Da 4 a 20 mA (250 Ω)	La funzione viene selezionata impostando il parametro H3-09.	da 4 a 20 mA (250 Ω) da 0 V a +10 V (20 kΩ) da 0 a 20 mA (250 Ω)
	–V	Uscita di potenza da –15 V	Alimentazione da –15 V per i riferimenti analogici		
	CA	Comune riferimenti analogici	–	–	
	E(G)	Punto di collegamento opzionale linea di terra del filo schermato	–	–	

Tipo	Numero	Nome segnale	Funzione	Livello del segnale	
Segnali uscite digitali	M1	Durante la marcia (NO)	Chiuso durante la marcia	Contatti a relè Capacità contatto: 1 A max. a 250 Vc.a. 1 A max. a 30 Vc.c. *3	
	M2				
	M3	Velocità zero (NO)	Chiuso con frequenza di uscita a livello zero (b2-01) o inferiore		
	M4				
	M5	Rilevamento raggiungimento velocità (NO)	All'interno di $\pm 2$ Hz della frequenza impostata quando è ON		
	M6				
	MA	Segnale uscita errore	Chiuso attraverso MA e MC durante errore		
	MB		Aperto attraverso MB e MC durante errore		
	MC				
Segnali delle uscite analogiche	FM	Frequenza di uscita	Segnale di frequenza uscita analogica; da 0 a 10 V; 10 V = FMAX	Funzione selezionata tramite H4-01	da 0 a +10 V max. $\pm 5\%$ 2 mA max.
	CA	Comune analogico	—		
	AM	Alimentazione uscita inverter	Segnale di potenza uscita analogica; da 0 a 10 V; 10 V = capacità max. applicabile motore	Funzione selezionata tramite H4-04	-10 ... +10 V max. $\pm 5\%$ 2 mA max da 4 a 20 mA
I/O a impulsi	RP	Ingresso impulsivo	H6-01 (ingresso frequenza di riferimento) *4		0 ... 32 kHz (3 k $\Omega$ ) Alta tensione 3,5 ... 13,2 V
	MP	Uscita impulsiva	H6-06 (frequenza di uscita)		da 0 a 32 kHz Uscita +15 V (2,2 k $\Omega$ )
RS-485/422	R+	Ingresso comunicazioni Modbus	Per comunicare in RS-485 cortocircuitare R+ con S+ e R- con S-.		Ingresso differenziale, isolamento PHC
	R-				
	S+	Uscita comunicazioni Modbus			Ingresso differenziale, isolamento PHC
	S-				
	IG	Comune segnali		—	

\*1. Vengono indicate le impostazioni predefinite per i terminali da S3 a S7. Per una sequenza a 3 fili, le impostazioni predefinite sono una sequenza a 3 fili per S5, impostazione multivelocità 1 per S6 e impostazione multivelocità 2 per S7.

\*2. Non utilizzare questa alimentazione per alimentare altri dispositivi esterni.

\*3. Quando si aziona un carico reattivo, ad esempio la bobina di un relè con alimentazione c.c., inserire sempre un diodo volano come indicato nella Fig 6

\*4. Nella seguente tabella sono riportate le caratteristiche dell'ingresso a impulsi:

Bassa tensione	0,0 ... 0,8 V
Alta tensione	3,5 ... 13,2 V
Carico pesante	30% ... 70%
Frequenza degli impulsi	0 ... 32 kHz

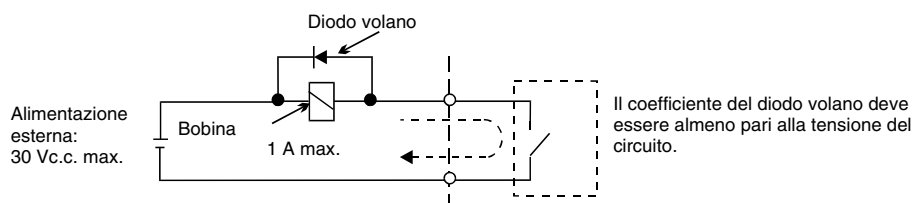


Fig 6 Collegamento del diodo volano

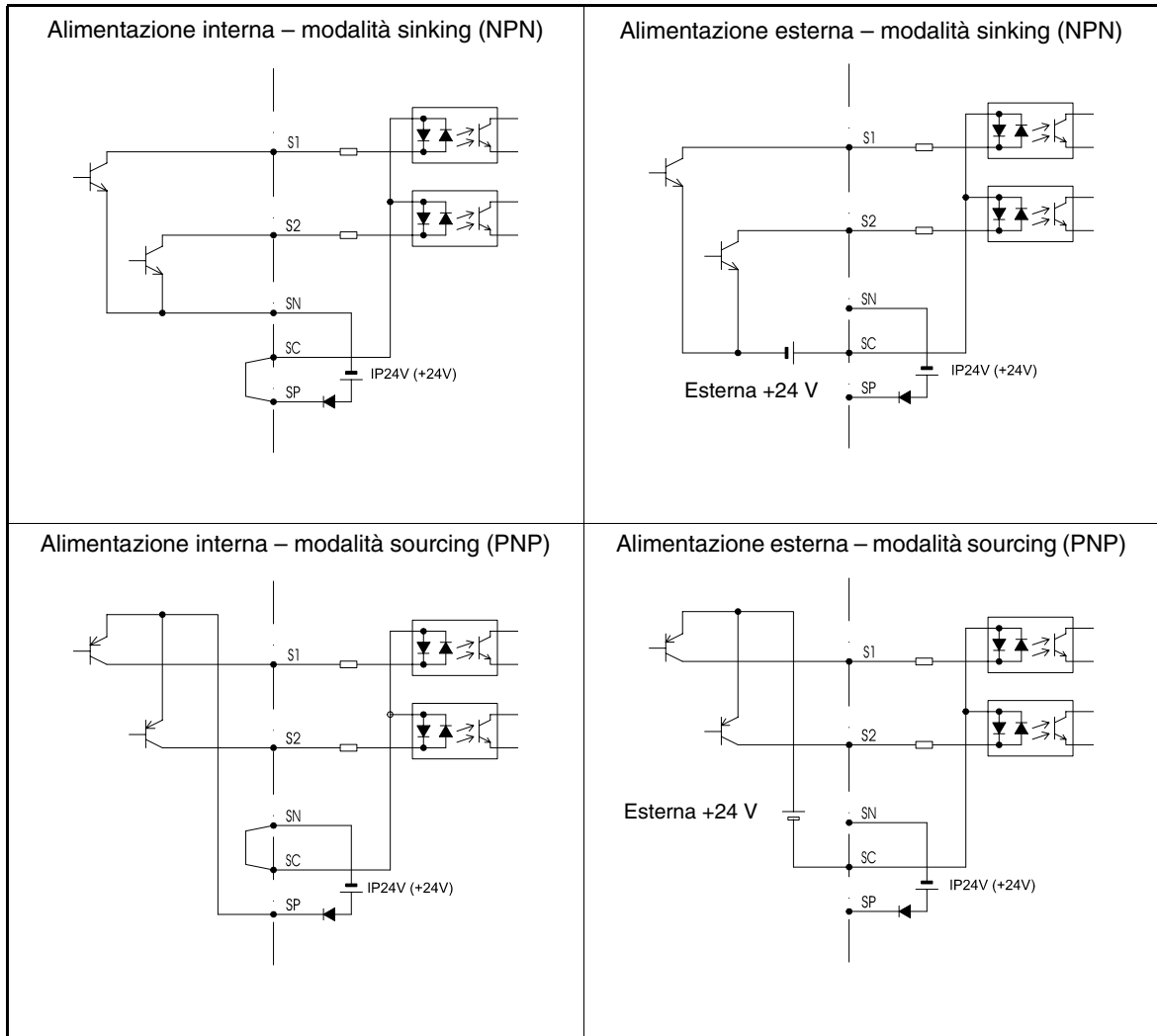


- Nella Fig 4 viene illustrato il cablaggio degli ingressi digitali da S1 a S7 per il collegamento di contatti o transistor NPN (comune 0 V e modalità NPN). Si tratta dell'impostazione predefinita. Per il collegamento di transistor PNP o per l'uso di una alimentazione esterna da 24 V, fare riferimento alla Tabella 3.
- È possibile utilizzare una reattanza c.c. solo per inverter da 18,5 kW o inferiore. Rimuovere la barra di corto circuito prima di collegare una reattanza c.c.

### ■ Modalità sinking/sourcing (selezione NPN/PNP)

È possibile attivare alternativamente la modalità sinking (comune 0 V, NPN) e quella sourcing (comune +24 V, PNP) per la logica del terminale di ingresso utilizzando il ponticello CN5. È, inoltre, supportata un'alimentazione esterna in grado di garantire maggiore flessibilità per i metodi d'ingresso dei segnali.

Tabella 3 Modalità NPN/PNP e segnali di ingresso



## ◆ Cablaggio degli ingressi del circuito principale

### Installazione fusibili

Per proteggere l'inverter è consigliabile usare dei fusibili del tipo indicato nella tabella seguente.

Tabella 4 Selezione fusibile di ingresso

Tipo di inverter	Uscita nominale inverter Corrente (A)	Selezione fusibile			Esempio di selezione (Ferraz)		
		Tensione (V)	Corrente (A)	I <sup>2</sup> t (A <sup>2</sup> s)	Modello	Classificazione	I <sup>2</sup> t (A <sup>2</sup> s)
20P4	3,2	240	10	12~25	A60Q12-2	600 V/12 A	17
20P7	4,1	240	10	12~25	A60Q12-2	600 V/12 A	17
21P5	7,0	240	15	23~55	A60Q15-2	600 V/15 A	26
22P2	9,6	240	20	34~98	A60Q20-2	600 V/20 A	41
23P7	15	240	30	82~220	A60Q30-2	600 V/30 A	132
25P5	23	240	40	220~610	A50P50-4	500 V/50 A	250
27P5	31	240	60	290~1.300	A50P80-4	500 V/80 A	640
2011	45	240	80	450~5.000	A50P80-4	500 V/80 A	640
2015	58	240	100	1.200~7.200	A50P125-4	500 V/125 A	1.600
2018	71	240	130	1.800~7.200	A50P150-4	500 V/150 A	2.200
2022	85	240	150	870~16.200	A50P150-4	500 V/150 A	2.200
2030	115	240	180	1.500~23.000	A50P200-4	500 V/200 A	4.000
2037	145	240	240	2.100~19.000	A50P250-4	500 V/250 A	6.200
2045	180	240	300	2.700~55.000	A50P300-4	500 V/300 A	9.000
2055	215	240	350	4.000~55.000	A50P350-4	500 V/350 A	12.000
2075	283	240	450	7.100~64.000	A50P450-4	500 V/450 A	20.000
2090	346	240	550	11.000~64.000	A50P600-4	500 V/600 A	36.000
2110	415	240	600	13.000~83.000	A50P600-4	500 V/600 A	36.000
40P4	1,8	480	5	6~55	A60Q10-2	600 V/10 A	10
40P7	2,1	480	5	6~55	A60Q10-2	600 V/10 A	10
41P5	3,7	480	10	10~55	A60Q12-2	600 V/12 A	17
42P2	5,3	480	10	18~55	A60Q15-2	600 V/15 A	26
43P7	7,6	480	15	34~72	A60Q20-2	600 V/20 A	41
44P0	8,7	480	20	50~570	A60Q30-2	600 V/30 A	132
45P5	12,5	480	25	100~570	A60Q30-2	600 V/30 A	132
47P5	17	480	30	100~640	A60Q30-2	600 V/30 A	132
4011	24	480	50	150~1.300	A70P50-4	700 V/50 A	300
4015	31	480	60	400~1.800	A70P70-4	700 V/70 A	590
4018	39	480	70	700~4.100	A70P80-4	700 V/80 A	770
4022	45	480	80	240~5.800	A70P80-4	700 V/80 A	770
4030	60	480	100	500~5.800	A70P100-4	700 V/100 A	1.200
4037	75	480	125	750~5.800	A70P125-4	700 V/125 A	1.900
4045	91	480	150	920~13.000	A70P150-4	700 V/150 A	2.700
4055	112	480	150	1.500~13.000	A70P200-4	700 V/200 A	4.800
4075	150	480	250	3.000~55.000	A70P250-4	700 V/250 A	7.500
4090	180	480	300	3.800~55.000	A70P300-4	700 V/300 A	11.000
4110	216	480	350	5.400~23.000	A70P350-4	700 V/350 A	15.000
4132	260	480	400	7.900~64.000	A70P400-4	700 V/400 A	19.000
4160	304	480	450	14.000~250.000	A70P450-4	700 V/450 A	24.000
4185	370	480	600	20.000~250.000	A70P600-4	700 V/600 A	43.000
4220	506	480	700	34.000~400.000	A70P700-4	700 V/700 A	59.000
4300	675	480	900	52.000~920.000	A70P900-4	700 V/900 A	97.000

Prendere in considerazione le seguenti precauzioni per l'ingresso di alimentazione del circuito principale.

- Se si utilizza un dispositivo di sezionamento per il collegamento dell'alimentazione (R/L1, S/L2 e T/L3), verificare che l'interruttore di circuito sia adatto per l'inverter.
- Se si utilizza un interruttore di dispersione a terra, dovrebbe essere possibile rilevare tutti i tipi di corrente per garantire un rilevamento sicuro della corrente di dispersione a massa.

- È possibile utilizzare un contattore magnetico o un altro dispositivo di commutazione sull'ingresso dell'inverter. L'inverter non deve essere acceso per più di una volta all'ora.
- Le fasi di ingresso (R/S/T) possono essere collegate in qualsiasi sequenza.
- Se si collega l'inverter ad un trasformatore ad alta capacità (600 kW o superiore) o si commuta un condensatore di rifasatura, è possibile che una corrente di punta eccessiva passi attraverso il circuito di ingresso provocando un guasto dell'inverter. Come contromisura, installare una reattanza c.a. opzionale sull'ingresso dell'inverter o una reattanza c.c. sui terminali di collegamento della reattanza c.c.
- Utilizzare un assorbitore di sovracorrente o un diodo per i carichi induttivi situati nei pressi dell'inverter. I carichi induttivi comprendono contattori magnetici, relè elettromagnetici, valvole a solenoide, solenoidi e freni magnetici.

### ■ Cablaggio del lato di uscita del circuito principale

È necessario prendere in considerazione le seguenti precauzioni per il cablaggio del circuito di uscita.

- Non collegare mai alcuna fonte di alimentazione ai terminali di uscita dell'inverter. In caso contrario, l'inverter potrebbe danneggiarsi.
- Evitare i cortocircuiti o la messa a terra dei terminali di uscita. In caso contrario, l'inverter potrebbe danneggiarsi.
- Non utilizzare condensatori di rifasatura. In caso contrario, l'inverter e i condensatori potrebbero danneggiarsi.
- Verificare la sequenza di comando per accertarsi che il contattore magnetico (MC) tra l'inverter e il motore non sia attivato o disattivato durante il funzionamento dell'inverter. Se si attiva l'MC durante il funzionamento dell'inverter, si avrà una corrente di spunta molto alta e verrà attivato il meccanismo di protezione da sovracorrente all'interno dell'inverter.

### ■ Collegamento a terra

È necessario prendere in considerazione le seguenti precauzioni per il collegamento a terra.

- Evitare che il cavo di terra venga condiviso con altri dispositivi come saldatrici o strumenti di alimentazione.
- Utilizzare sempre un cavo di terra conforme agli standard tecnici delle apparecchiature elettriche e il più corto possibile. La corrente di dispersione è causata dall'inverter. Pertanto, il potenziale sul terminale di terra dell'inverter diventerà instabile se vi è troppa distanza tra l'elettrodo e il terminale di terra.
- Quando si utilizza più di un inverter, è necessario evitare che il cavo di terra formi un circuito.

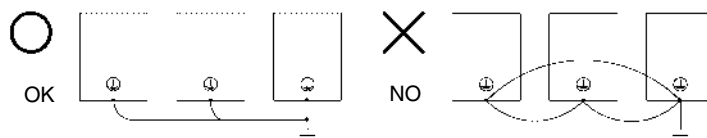


Fig 7 Cablaggio di terra

### ■ Precauzioni per il cablaggio dei circuiti di controllo

Prendere in considerazione le seguenti precauzioni per il cablaggio dei circuiti di controllo.

- Separare il cablaggio dei circuiti di controllo dal cablaggio del circuito principale (terminale R/L1, S/L2, T/L3, B1, B2, U/T1, V/T2, W/T3, B1, B2,  $\ominus$ ,  $\oplus 1$ ,  $\oplus 2$  e  $\oplus 3$ , PO, NA) e dalle altre linee ad alta potenza.
- Separare il cablaggio per i terminali dei circuiti di controllo MA, MB, MC e da M1 a M6 (contatti a relè) dal cablaggio degli altri terminali dei circuiti di controllo.
- Se si utilizza un'alimentazione esterna opzionale, è necessario utilizzare un'alimentazione di Classe 2 conforme allo standard UL.
- Utilizzare cavi schermati a doppiini intrecciati oppure cavi a doppiini intrecciati per i circuiti di controllo, in grado di prevenire errori di funzionamento.
- Collegare la messa a terra per le schermature del cavo con un'area di contatto molto ampia.
- Mettere a terra le schermature in corrispondenza di entrambe le estremità del cavo.

# Funzionamento tastierino

## ◆ Display della console di programmazione (opzionale)

Di seguito vengono elencati i nomi dei tasti e le relative funzioni della console di programmazione.



Spie delle modalità di funzionamento

- FWD: si accende quando viene inserito un comando di marcia avanti.
- REV: si accende quando viene inserito un comando di marcia indietro.
- SEQ: si accende quando viene selezionata una fonte di comando di marcia diversa dalla console di programmazione.
- REF: si accende quando viene selezionata una fonte di riferimento frequenza diversa dalla console di programmazione
- ALARM: si accende quando si verifica un errore o viene attivato un allarme.

Visualizzazione dati

Visualizza i dati di monitoraggio, i valori dei parametri e le impostazioni.

*Modalità operativa* (visualizzata nella parte superiore sinistra del display

- DRIVE: si accende in modalità di funzionamento
- QUICK: si accende in modalità di programmazione rapida
- ADV: si accende in modalità di programmazione avanzata
- VERIFY: si accende in modalità di verifica
- A. TUNE: si accende in modalità di autotuning.

Tasti

Utilizzati per l'impostazione dei parametri utente, il monitoraggio, la marcia a impulsi e l'autotuning.

## ■ Tasti della console di programmazione

Tasto	Nome	Funzione
	Tasto LOCAL/REMOTE	Consente di attivare alternativamente la modalità di funzionamento dalla console di programmazione (LOCAL) e le impostazioni in b1-01 e b1-02 (REMOTE).
	Tasto MENU	Consente di selezionare le modalità.
	Tasto ESC	Ripristina lo stato precedente all'uso del tasto ENTER.
	Tasto JOG	Attiva la funzione di jog quando l'inverter viene azionato dalla console di programmazione.
	Tasto FWD/REV	Consente di selezionare la direzione di rotazione del motore quando l'inverter viene azionato dalla console di programmazione.
	Tasto Shift/RESET	Imposta la cifra attiva durante la programmazione dei parametri utente.
	Tasto di incremento	Consente di selezionare i valori dei parametri utente e incrementa le impostazioni dei parametri stessi. Utilizzato per passare alla voce o ai dati successivi.
	Tasto di decremento	Consente di selezionare i valori dei parametri utente e diminuisce le impostazioni dei parametri stessi. Utilizzato per passare alla voce o ai dati precedenti.
	Tasto ENTER	Permette di accedere ai menu e ai parametri e conferma le impostazioni dei parametri.
	Tasto RUN	Attiva il funzionamento quando l'inverter viene azionato dalla console di programmazione (modalità LOCAL).
	Tasto STOP	Arresta il funzionamento dell'inverter (modalità LOCAL e REMOTE). Questo tasto può essere attivato o disattivato quando il funzionamento viene gestito da una sorgente diversa dalla console di programmazione impostando il parametro o2-02.

# Avvio e configurazione di base dei parametri

## ◆ Procedura di avvio

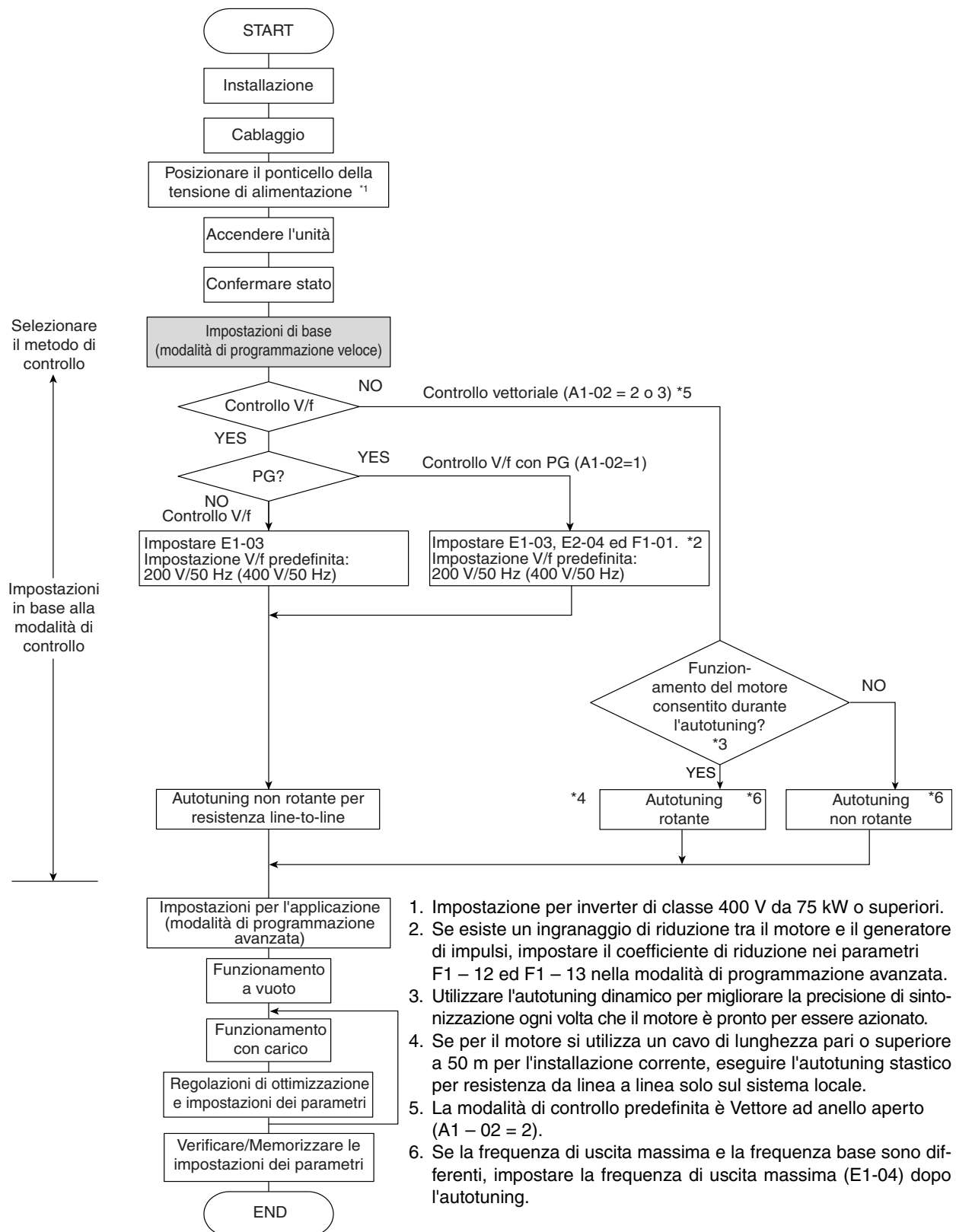


Fig 8 Diagramma per il test di funzionamento



## ◆ Prima dell'avvio

È necessario verificare attentamente quanto riportato di seguito prima di attivare l'alimentazione.

- Verificare che l'alimentazione sia conforme alle specifiche dell'inverter.
- Verificare che i cavi di alimentazione siano saldamente collegati ai terminali di destra (L1, L2, L3).
- Verificare che i cavi motore siano saldamente collegati ai terminali di destra sia sul lato dell'inverter (U, V, W) sia sul lato del motore.
- Verificare che il circuito di frenatura/resistenza di frenatura sia collegato correttamente.
- Verificare che il terminale del circuito di controllo dell'inverter e il dispositivo di controllo siano cablati correttamente.
- Impostare tutti i terminali del circuito di controllo su OFF.
- Quando si utilizza un scheda PG, verificare che sia cablata in modo corretto.

## ◆ Display dopo l'avvio

Dopo un avvio normale e privo di problemi, il display della console di programmazione mostra i seguenti messaggi.

Display per il funzionamento normale

-DRIVE-	Rdy
Riferim FREQUENZA	
U1 - 01 =	50,00 Hz
U1 - 02 =	50,00 Hz
U1 - 03 =	10,05 A

Il monitoraggio della frequenza di riferimento viene visualizzato sul display di dati.

Quando si verifica un errore o si attiva un allarme, viene visualizzato un messaggio di errore o di allarme. In questo caso, fare riferimento a [pagina 21, Soluzione dei problemi](#).

Display in caso di errore

-DRIVE-
UV
DC Bus Undervolt

Viene visualizzato un messaggio di errore o di allarme sul display. L'esempio mostra un allarme di bassa tensione.

## ◆ Autotuning

Eseguire l'autotuning per impostare automaticamente i parametri del motore quando si utilizza il controllo vettoriale ad anello aperto o chiuso, se il cavo del motore è lungo o quando sono state apportate modifiche all'installazione.

### ■ Impostazione della modalità autotuning

Si può impostare una delle tre modalità di autotuning seguenti.

- Autotuning dinamico
- Autotuning statico
- Autotuning statico solo per resistenza di linea

#### Autotuning dinamico (T1 - 01 = 0)

L'autotuning dinamico è utilizzato solo per il controllo vettoriale ad anello aperto e chiuso. Impostare T1 - 01 a 0, immettere i dati dalla targhetta del motore e premere quindi il tasto RUN sulla console di programmazione. L'inverter farà funzionare il motore per circa 1 minuto e imposterà i parametri motore richiesti automaticamente.

#### Autotuning statico (T1 - 01 = 1)

L'autotuning statico è utilizzato solo per il controllo vettoriale ad anello aperto e chiuso. Impostare T1 - 01 a 1, immettere i dati dalla targhetta del motore e premere quindi il tasto RUN sulla console

di programmazione. L'inverter fornirà potenza al motore statico per circa 1 minuto e alcuni dei parametri del motore verranno impostati automaticamente. I restanti parametri del motore verranno impostati automaticamente durante il funzionamento per la prima volta.

### **Autotuning statico per resistenza di linea (T1 – 01 = 2)**

L'autotuning statico per resistenza di linea può essere usato con qualsiasi modalità di controllo. Questo è l'unico autotuning utilizzabile per il controllo V/f e il controllo V/f con PG.

L'autotuning statico per resistenza di linea a linea può essere utilizzato per migliorare le prestazioni quando il cavo del motore è lungo, la lunghezza del cavo è stata modificata o il motore e l'inverter hanno capacità differenti.

Per eseguire l'autotuning con il controllo V/f o il controllo V/f con PG, impostare T1 – 02 (potenza nominale motore) e T1 – 04 (corrente nominale motore), quindi premere il tasto RUN sulla console di programmazione. L'inverter fornirà potenza al motore statico per circa 20 secondi e la resistenza di linea del motore e la resistenza del cavo verranno misurate automaticamente.



1. Durante l'autotuning il motore viene alimentato, anche se non gira. Non toccare il motore fino al termine dell'autotuning.
2. Accertarsi che tutti i contattori del motore siano chiusi prima di avviare l'autotuning.
3. Per annullare l'autotuning, premere il tasto STOP sulla console di programmazione.

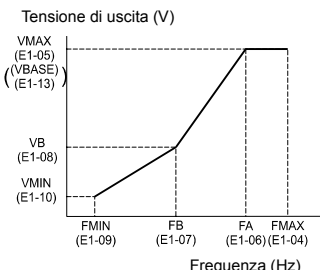
### ■ **Altri allarmi ed errori durante l'autotuning**

Per informazioni generali su possibili allarmi o errori durante l'autotuning e le relative azioni correttive, vedere [pagina 24, Errori di autotuning](#).

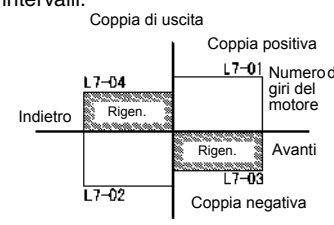
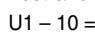
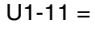
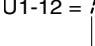
# Parametro utente

Numero parametro	Nome	Descrizione
<b>Inizializzare i dati</b>		
A1-00	Selezione lingua per display console di programmazione (solo JVOP-160-OY)	<b>0: Inglese</b> 2: Tedesco 3: Francese 4: Italiano 5: Spagnolo 6: Portoghese
A1-01	Livello di accesso parametri	<b>0: Solo monitoraggio (monitoraggio e impostazione per i parametri A1-01 e A1-04).</b> 1: Utilizzato per selezionare i parametri utente (è possibile leggere e impostare solo i parametri compresi nell'intervallo da A2-01 a A2-32). 2: Avanzato (i parametri possono essere letti ed impostati nella modalità di programmazione veloce (Q) e in quella di programmazione avanzata (A)).
A1-02	Selezione metodo di comando	<b>0: Controllo V/f</b> 1: Controllo V/f con PG 2: Controllo vettore ad anello aperto 3: Controllo vettore ad anello chiuso
A1-03	Inizializzazione	0: Nessuna inizializzazione 1110: Effettua l'inizializzazione utilizzando i parametri utente 2220: Effettua l'inizializzazione utilizzando una sequenza a 2 fili. (inizializza basandosi sull'impostazione di fabbrica). 3330: Effettua l'inizializzazione utilizzando una sequenza a 3 fili.
<b>Sequenza/Sorgente di riferimento</b>		
b1-01	Selezione sorgente di riferimento	Imposta il metodo di ingresso della frequenza di riferimento. <b>0: Console di programmazione</b> 1: Terminale del circuito di controllo (ingresso analogico) 2: Comunicazione seriale (RS422/485) 3: Scheda opzionale
b1-02	Selezione sorgente comando RUN	Imposta il metodo di ingresso per il comando di marcia. <b>0: Console di programmazione</b> 1: Terminale del circuito di controllo (ingressi digitali) 2: Comunicazione seriale (RS422/485) 3: Scheda opzionale
b1-03	Selezione metodo di arresto	Consente di selezionare il metodo di arresto quando viene rimosso il segnale Run <b>0: Arresto per decelerazione</b> 1: Arresto per inerzia 2: Iniezione c.c. fino ad arresto 3: Arresto per inerzia con temporizzatore (i nuovi comandi RUN vengono ignorati durante l'arresto per inerzia.)
b1-04	Disabilitazione funzionamento di marcia indietro	<b>0: Marcia indietro abilitata</b> 1: Marcia indietro disabilitata 2: Rotazione fase di uscita (entrambe le direzioni di rotazione sono abilitate) 3: Rotazione fase di uscita con marcia indietro abilitata.
<b>Impostazioni di accelerazione/decelerazione</b>		
C1-□□	Tempi di accelerazione/decelerazione	Imposta il tempo di accelerazione necessario per passare da 0 Hz fino alla frequenza di uscita massima.
<b>Impostazioni curva a S</b>		
C2-□□	Tempo caratteristico della curva a S all'accelerazione	Imposta il tempo caratteristico della curva a S all'avvio e al termine dell'accelerazione.

Numero parametro	Nome	Descrizione
<b>Compensazione dello scorrimento del motore (non disponibile in V/f con PG)</b>		
C3-01	Guadagno compensazione di scorrimento	Utilizzato per migliorare la precisione della velocità • Aumentare se la frequenza di uscita è troppo bassa. • Diminuire se la frequenza di uscita è troppo alta.
C3-02	Ritardo compensazione di scorrimento (disponibile solo in V/f e OLV)	Imposta il tempo di ritardo della compensazione dello scorrimento • Aumentare se la frequenza di uscita non è stabile • Diminuire il valore impostato quando la risposta della compensazione allo scorrimento è lenta.
<b>Controllo della velocità (ASR) (disponibile solo in V/f e CLV)</b>		
C5-01	Guadagno proporzionale ASR 1	Imposta il guadagno proporzionale dell'anello di controllo della velocità (ASR).
C5-02	Tempo integrale ASR 1	Imposta il tempo integrale dell'anello di controllo della velocità (ASR)
C5-03	Guadagno proporzionale ASR 2	
C5-04	Tempo integrale ASR 2	
C5-05	Ritardo ASR (solo CLV)	Imposta la costante di tempo del filtro ASR.
C5-07	Frequenza di commutazione ASR (solo CLV)	Imposta la frequenza di commutazione tra il guadagno ASR 1 e 2 e il tempo integrale ASR 1 e 2.
C5-08	Limite integrale ASR (solo CLV)	Imposta il limite per la parte integrale del controllore ASR.
<b>Frequenza portante</b>		
C6-01	Selezione carico di lavoro normale/pesante	<b>0: Carico di lavoro pesante</b> 1: Carico di lavoro normale 1 2: Carico di lavoro normale 2
C6-02	Selezione frequenza portante	Consente di selezionare la frequenza portante (l'impostazione di fabbrica dipende dalla capacità dell'inverter). <b>0: Poco rumore, portante bassa</b> 1: 2,0 kHz 2: 5,0 kHz 3: 8,0 kHz 4: 10,0 kHz 5: 12,5 kHz 6: 15,0 kHz F: Modello programmabile
<b>Impostazioni velocità</b>		
Da d1-01 a d1-16	Multivelocità di riferimento da 1 a 16	Imposta le multivelocità di riferimento.
d1-17	Frequenza di riferimento di jog	
<b>Controllo della coppia (disponibile solo in CLV)</b>		
d5-01	Selezione controllo della coppia	<b>0: Controllo della velocità</b> 1: Controllo della coppia
d5-06	Temporizzatore di commutazione tra controllo velocità e coppia	Imposta il tempo che deve trascorrere tra l'attivazione di un segnale "Selezione controllo velocità/coppia" (tramite ingresso digitale) e l'effettivo cambiamento di controllo.
<b>Impostazioni linea caratteristica V/f</b>		
E1-01	Impostazione voltaggio in ingresso	Questa impostazione viene utilizzata come valore di riferimento nelle funzioni di protezione.

Numero parametro	Nome	Descrizione
E1-04	Frequenza di uscita massima (FMAX)	 <p>Tensione di uscita (V)</p> <p>VMAX (E1-05) (VBASE) (E1-13)</p> <p>VB (E1-08)</p> <p>VMIN (E1-10)</p> <p>FMIN (E1-09) FB (E1-07) FA (E1-06) FMAX (E1-04)</p> <p>Frequenza (Hz)</p>
E1-05	Tensione d'uscita max. (VMAX)	
E1-06	Frequenza base (FA)	
E1-13	Tensione di base (VBASE)	Per impostare le caratteristiche V/f in sequenza, impostare gli stessi valori per E1-07 e E1-09. In questo caso non viene considerata l'impostazione per E1-08. Verificare sempre che le quattro frequenze siano impostate nel modo seguente: E1-04 (FMAX) ≥ E1-06 (FA) > E1-07 (FB) ≥ E1-09 (FMIN)
<b>Impostazioni dati motore</b>		
E2-01	Corrente nominale del motore	Imposta i dati del motore.
E2-02	Scorrimento nominale motore	
E2-03	Corrente a vuoto del motore	
E2-04	Numero poli motore	
E2-09	Perdite meccaniche motore	
E2-11	Potenza nominale uscita motore	
<b>Setup opzione PG</b>		
F1-01	PG costante	Imposta il numero di impulsi PG per giri del motore.
F1-05	Rotazione PG	<b>0: La fase A prevale con il comando di marcia avanti</b> 1: La fase B prevale con il comando di marcia avanti
<b>Impostazioni I/O digitali</b>		
H1-01... H1-05	Selezione funzione terminali da S3 a S7	Per un elenco delle selezioni, vedere <a href="#">pagina 20, Selezioni funzioni per ingressi digitali (da H1-01 a H1-05)</a> .
H2-01 e H2-02	Selezione funzione terminali M1-M2 e M3-M4	Per un elenco delle selezioni, vedere <a href="#">pagina 20, Selezioni funzioni uscite digitali (H2-01 e H2-02)</a> .
<b>Impostazioni I/O analogici</b>		
H3-08	Selezione livello segnale di ingresso analogico A2	Consente di selezionare il livello del segnale d'ingresso analogico multifunzione A2. <b>0: Da 0 a +10 V (11 bit)</b> 1: Da -10 a +10 V 2: Da 4 a 20 mA (ingresso a 9 bit) Accertarsi di impostare S1-2 su "V" prima di utilizzare un ingresso di tensione.
H3-09	Selezione funzione ingresso analogico A2.	Consente di selezionare la funzione di ingresso analogico multifunzione per il terminale A2.

Numero parametro	Nome	Descrizione
H3-13	Attivazione terminale A1/A2	Consente di selezionare il terminale che può essere utilizzato come ingresso per la frequenza di riferimento principale. <b>0: Utilizzare l'ingresso analogico 1 sul terminale A1 per la frequenza di riferimento principale.</b> 1: Utilizzare l'ingresso analogico 2 sul terminale A2 per la frequenza di riferimento principale.
H4-01	Selezione monitor terminale FM	Imposta il numero del parametro da monitorare in uscita (U1-□□) dal terminale FM/AM.
H4-04	Selezione monitor terminale AM	
<b>I/O a treno di impulsi</b>		
H6-01	Selezione funzione ingresso a treno di impulsi	Seleziona la funzione dell'ingresso a treno di impulsi <b>0: Frequenza di riferimento</b> 1: Valore di retroazione PID 2: Valore di riferimento PID
H6-02	Scala ingresso a treno di impulsi	Imposta il numero di impulsi in Hz equivalente al 100% del parametro di ingresso selezionato in H6-01.
H6-06	Selezione monitoraggio a treno di impulsi	Seleziona il parametro dell'uscita di monitoraggio a treno di impulsi (U1-□□)
H6-07	Scala monitoraggio impulsi	Imposta il numero di impulsi in uscita in Hz quando il valore del parametro da monitorare corrisponde al 100%.
<b>Prevenzione di stallo</b>		
L3-01	Selezione prevenzione stallo durante accel. (non disponibile in CLV)	<b>0: Disabilitato (accelerazione come impostazione. Con un carico pesante, il motore potrebbe andare in stallo).</b> 1: Abilitato (accelerazione interrotta quando si supera il livello impostato in L3-02 e riprende quando la corrente scende di nuovo sotto il livello di prevenzione da stallo). 2: Modalità di accelerazione intelligente (l'accelerazione viene regolata automaticamente in base al livello di L3-02, ignorando il tempo di accelerazione impostato).
L3-04	Selezione prevenzione da stallo durante decel.	<b>0: Disabilitata (decelerazione come impostazione. Se il tempo di decelerazione è troppo breve, potrebbe verificarsi una sovratensione del bus in continua)</b> 1: Abilitata (la decelerazione si interrompe quando la tensione del bus in continua supera il livello di prevenzione dello stallo e riprende quando la tensione scende di nuovo sotto il livello di prevenzione da stallo). 2: Modalità di decelerazione intelligente (la velocità di decelerazione viene regolata automaticamente in modo che l'inverter rallenti nel più breve tempo possibile, ignorando il tempo di decelerazione impostato). 3: Abilitata con resistenza di frenatura
<b>Riavvio dopo errore</b>		
L5-01	Numero di tentativi avvii automatici	Imposta il numero di tentativi di riavvio automatico. Riavvia automaticamente dopo un errore ed esegue una ricerca della velocità dalla frequenza di funzionamento.
L5-02	Selezione funzionamento riavvio automatico	Specifica se viene attivato un relè durante il riavvio dopo l'errore. <b>0: Nessuna uscita (relè errori non attivato).</b> 1: Uscita (relè errori attivato).

Numero parametro	Nome	Descrizione
<b>Limite di coppia (solo OLV e CLV)</b>		
L7-01	Limite coppia azionamento avanti	Imposta il limite di coppia come percentuale della coppia nominale del motore. E' possibile impostare quattro intervalli. 
L7-02	Limite coppia azionamento indietro	
L7-03	Limite coppia rigenerativa avanti	
L7-04	Limite coppia rigenerativa indietro	
<b>Dati di monitoraggio</b>		
U1-01	Frequenza di riferimento in Hz/rpm	
U1-02	Frequenza di uscita in Hz/rpm	
U1-03	Corrente di uscita in A	
U1-06	Tensione di uscita Vc.a.	
U1-07	Tensione bus in continua in Vc.c.	
U1-08	Potenza di uscita in kW	
U1-09	Coppia di riferimento	
U1-10	Stato dei terminali di ingresso	Mostra lo stato di ingresso ON/OFF. U1 - 10 =  <ul style="list-style-type: none"> <li>1: Fil comando FWD (S1) è ON</li> <li>1: Fil comando REV (S2) è ON</li> <li>1: ML'ingresso multifunzione 1 (S3) è ON</li> <li>1: ML'ingresso multifunzione 2 (S4) è ON</li> <li>1: ML'ingresso multifunzione 3 (S5) è ON</li> <li>1: ML'ingresso multifunzione 4 (S6) è ON</li> <li>1: ML'ingresso multifunzione 5 (S7) è ON</li> </ul>
U1-11	Stato dei terminali di uscita	Mostra lo stato di uscita ON/OFF. U1-11 =  <ul style="list-style-type: none"> <li>1: MUscita contatto multifunzione 1 (M1-M2) è ON:</li> <li>1: MUscita contatto multifunzione 2 (M3-M4) è ON:</li> <li>1: MUscita contatto multifunzione 3 (M5-M6) è ON:</li> <li>Non utilizzato (sempre uguale a 0)</li> <li>1: EL'uscita di errore (MA/MB-MC) è ON</li> </ul>
U1-12	Stato di funzionamento	Stato di funzionamento dell'inverter. U1-12 =  <ul style="list-style-type: none"> <li>Marcia</li> <li>1: velocità zero</li> <li>1: Indietro</li> <li>1: Ingresso segnale di ripristino</li> <li>1: raggiungimento velocità di riferimento</li> <li>1: inverter pronto</li> <li>1: errore non grave</li> <li>1: errore grave</li> </ul>
U1-13	Tempo di funzionamento cumulativo in ore.	
U1-21	Ingresso ASR	
U1-22	ASR output	
U1-34	Parametro errore OPE	
U1-40	Tempo di funzionamento ventola di raffreddamento in ore.	

Numero parametro	Nome	Descrizione
<b>Dati traccia degli errori</b>		
U2-01	Errore corrente	
U2-02	Ultimo errore	
U2-03	Frequenza di riferimento su errore	
U2-04	Frequenza di uscita su errore	
U2-05	Corrente di uscita su errore	
U2-07	Tensione di uscita di riferimento su errore	
U2-08	Tensione bus in continua su errore	
U2-09	Potenza di uscita su errore	
U2-11	Stato terminale di ingresso su errore	
U2-12	Stato terminale d'uscita su errore	
U2-13	Stato operativo su errore	
U2-14	Tempo di funzionamento cumulativo su errore	
<b>Dati storico errori</b>		
U3-01 ... U3-04	Dall'ultimo al quartultimo errore	
U3-05 ... U3-08	Tempo di funzionamento cumulativo su errori da 1 a 4	
U3-09 a U3-14	Dal quintultimo al decimo errore	
U3-15 a U3-20	Tempo cumulato dal quintultimo al decimo errore	
* I seguenti errori non vengono registrati nel log degli errori: CPF00, 01, 02, 03, UV1e UV2.		
<b>Selezioni funzioni per ingressi digitali (da H1-01 a H1-05)</b>		
3	Multivelocità di riferimento 1	
4	Multivelocità di riferimento 2	
5	Multivelocità di riferimento 3	
6	Comando frequenza di jog (con priorità sulla multivelocità di riferimento)	
7	Selezione del tempo di accelerazione/decelerazione 1	
F	Non utilizzato (impostato quando un terminale non viene utilizzato)	
14	Ripristino dopo errore (ripristino quando è ON)	
19	Disabilitazione controllo PI	
20 ... 2F:	Errore esterno; modalità ingresso: contatto NA/contatto NC Modalità di rilevamento: normale/durante il funzionamento.	
71	Selezione controllo velocità/coppia (ON: Controllo della coppia)	
77	Selezione guadagno sul controllo della velocità (ASR) (ON: C5-03)	
<b>Selezioni funzioni uscite digitali (H2-01 e H2-02)</b>		
0	Durante la marcia 1 (ON: Il comando di marcia è attivato o è presente tensione in uscita)	
6	Inverter pronto al funzionamento; READY: dopo l'inizializzazione o nessun errore	
F	non utilizzati (impostato quando il terminale non viene utilizzato)	
10	Errore non grave (Allarme) (ON: Allarme visualizzato)	
1A	Durante la marcia indietro (ON: Durante la marcia indietro)	
1F	Preallarme sovraccarico motore (OL1, compreso OH3) (ON: 90% o superiore del livello di rilevamento)	
30	Durante il limite di coppia (corrente) (ON: Durante il limite di coppia)	
32	Attivato se l'ASR è in modalità di limite di coppia. L'uscita dell'ASR diventa la coppia di riferimento e il motore ruota al limite di velocità.	

# Soluzione dei problemi

## ◆ Errori e allarmi generali

Errori e allarmi indicano condizioni dell'inverter/applicazione insolite

Un allarme non disattiva necessariamente l'inverter, ma viene visualizzato un messaggio sul tastierino (ossia, un codice di allarme lampeggiante) ed è possibile generare un'uscita di allarme sulle uscite multifunzione (H2-01 e H2-02), se programmato. L'allarme scompare automaticamente se la relativa condizione non si ripresenta più.

Un errore disattiva immediatamente l'uscita dell'inverter, un messaggio viene visualizzato sul tastierino e l'uscita di errore viene commutata. È necessario ripristinare l'errore manualmente una volta rimossi la causa e il segnale RUN.

Nella tabella seguente viene riportato un elenco di errori e allarmi con le relative contromisure.

Display	Allarme	Errore	Significato	Azioni correttive
BUS Option Com Err	○		Allarme comunicazione scheda opzionale Una volta stabilita la prima comunicazione, si è perso il collegamento.	Verificare i collegamenti e tutte le configurazioni software lato utente.
CF Out of Control		○	Errore di comando Un limite di coppia è stato raggiunto di continuo per 3 secondi o più durante un arresto in decelerazione nel comando vettoriale ad anello aperto.	Controllare i parametri del motore.
CPF00 COM- ERR(OP&INV)		○	Errore di comunicazione console di programmazione 1/2 • Errore di comunicazione tra la console di programmazione e l'inverter • Errore RAM esterna CPU	<ul style="list-style-type: none"> <li>• Scollegare la console di programmazione e, quindi, ricollegarla.</li> <li>• Riavviare l'inverter.</li> <li>• Sostituire l'inverter.</li> </ul>
CPF01 COM- ERR(OP&INV)				
CPF02 BB Circuit Err		○	Errore CPF02 Errore circuito blocco delle basi	<ul style="list-style-type: none"> <li>• Eseguire un'inizializzazione con i valori predefiniti di fabbrica.</li> <li>• Riavviare l'inverter.</li> <li>• Sostituire l'inverter.</li> </ul>
CPF03 EEPROM Error		○	CPF03 Errore nella memoria EEPROM	
CPF04 Internal A/D Err		○	CPF04 Errore convertitore A/D interno CPU	
DEV Speed Deviation		○	F1-04 = 0, 1 o 2 e A1-02 = 1 o 3 La deviazione di velocità è superiore a quella impostata in F1-10 per un periodo superiore all'impostazione F1-11.	<ul style="list-style-type: none"> <li>• Ridurre il carico.</li> <li>• Allungare i tempi di accelerazione e decelerazione.</li> <li>• Controllare il sistema meccanico.</li> <li>• Verificare le impostazioni di F1-10 e F1-11.</li> <li>• Verificare la sequenza e se il freno è aperto quando l'inverter inizia a ridurre la velocità.</li> </ul>
		○	F1-04 = 3 e A1-02 = 1 o 3 La deviazione di velocità è superiore a quella impostata in F1-10 per un periodo superiore all'impostazione F1-11.	
EF External Fault	○		Comandi di marcia avanti/indietro immessi contemporaneamente. Entrambi i comandi avanti ed indietro sono stati immessi contemporaneamente per 500 ms o più. Questo allarme arresta il motore.	Verificare la sequenza logica esterna in modo che venga attivato un solo ingresso alla volta.
EF0 Opt External Flt		○	Errore esterno, ingresso da scheda comunicazioni opzionale	<ul style="list-style-type: none"> <li>• Verificare se vi è la condizione di errore esterno.</li> <li>• Verificare i parametri.</li> <li>• Verificare i segnali di comunicazione</li> </ul>
EFx Ext Fault Sx	○	○	Errore esterno su terminale Sx (x indica i terminali da S3 a S7)	Eliminare la causa della condizione di errore esterno.
Ext Run Active Cannot Reset	○		Rilevato dopo un errore, quando viene immesso un comando RESET mentre è ancora attivo il comando RUN.	Disabilitare il segnale RUN e resettare l'errore.
GF Errore di terra		○	Errore di terra La corrente di massa all'uscita dell'inverter supera del 50% la corrente d'uscita nominale dell'inverter e L8-09 = 1 (attivato).	<ul style="list-style-type: none"> <li>• Togliere il motore e far funzionare l'inverter senza motore.</li> <li>• Controllare il motore per un cortocircuito da fase a massa.</li> <li>• Controllare la corrente in uscita con un misuratore di corrente per verificare la lettura del DCCT.</li> <li>• Verificare la sequenza di controllo per i segnali dei contattori del motore errati.</li> </ul>

Display	Allarme	Errore	Significato	Azioni correttive
OC Sovracorrente		○	Sovracorrente La corrente in uscita dell'inverter supera il livello di rilevamento di sovracorrente.	<ul style="list-style-type: none"> <li>Togliere il motore e far funzionare l'inverter senza motore.</li> <li>Controllare il motore per un corto circuito da fase a fase.</li> <li>Verificare i tempi di accelerazione/decelerazione (C1--□□).</li> <li>Controllare l'inverter per un corto circuito da fase a fase in uscita.</li> </ul>
OH Heatsink Overtemp		○	Surriscaldamento dissipatore di calore L8-03 = 0,1 o 2 e la temperatura della ventola di raffreddamento dell'inverter supera il valore impostato in L8-02. La ventola di raffreddamento dell'inverter è ferma	<ul style="list-style-type: none"> <li>Controllare eventuali accumuli di sporcizia sulle ventole o sul dissipatore.</li> <li>Ridurre la temperatura ambiente vicino all'azionamento.</li> <li>Sostituire le ventole di raffreddamento.</li> </ul>
		○	L8-03 = 3 o 4 e la temperatura della ventola di raffreddamento dell'inverter supera il valore impostato in L8-02.	
OH1 Heatsink Max Temp		○	Surriscaldamento dissipatore di calore La temperatura del dissipatore dell'inverter supera i 105°C. Arresto della ventola di raffreddamento dell'inverter	<ul style="list-style-type: none"> <li>Controllare eventuali accumuli di sporcizia sulle ventole o sul dissipatore.</li> <li>Ridurre la temperatura ambiente vicino all'azionamento.</li> <li>Sostituire le ventole di raffreddamento.</li> </ul>
OL1 Sovraccarico motore		○	Sovraccarico motore Rilevato quando L1-01 è impostato su 1,2 o 3 e il valore I <sup>2</sup> t dell'inverter ha superato la curva di sovraccarico del motore. La curva di sovraccarico è regolabile usando il parametro E2-01 (corrente nominale del motore), L1-01 (selezione protezione motore) e L2-02 (costante tempo protezione motore)	<ul style="list-style-type: none"> <li>Verificare nuovamente il tempo di ciclo, le dimensioni del carico e i tempi di accel/ decel (C1-□□).</li> <li>Verificare le caratteristiche V/f (E1-□□).</li> <li>Verificare l'impostazione del parametro Corrente Nominale del Motore (E2-01).</li> </ul>
OL2 Inv Overload		○	Sovraccarico inverter La corrente di uscita dell'inverter supera la capacità di sovraccarico dell'inverter.	<ul style="list-style-type: none"> <li>Verificare nuovamente il tempo di ciclo, le dimensioni del carico e i tempi di accel/ decel (C1-□□).</li> <li>Verificare le caratteristiche V/f (E1-□□).</li> <li>Accertarsi che la corrente nominale dell'inverter corrisponda a quella del motore.</li> </ul>
Sistema operativo Overspeed Det.		○	F1-03 = 0, 1 o 2 e A1-02 = 1 o 3 Il feedback di velocità del motore (U1-05) ha superato il valore impostato in F1-08 per un periodo di tempo superiore a quello dell'impostazione di F1-09.	<ul style="list-style-type: none"> <li>Regolare le impostazioni ASR nel gruppo di parametri C5</li> <li>Verificare il circuito di riferimento ed il guadagno di riferimento.</li> <li>Verificare le impostazioni in F1-08 e F1-09.</li> </ul>
		○	F1-03 = 3 e A1-02 = 1 o 3 Il feedback di velocità del motore (U1-05) ha superato il valore impostato in F1-08 per un periodo di tempo superiore a quello dell'impostazione di F1-09.	
OV Sovratens.DC bus	○ (solo in condizioni di arresto)	○	La tensione del bus in continua ha superato il livello di rilevamento sovratensione. I livelli di rilevamento errore sono: Classe 200 V: 410 Vc.c. Classe 400 V: 820 Vc.c.	<ul style="list-style-type: none"> <li>Aumentare il tempo di decelerazione (C1-02/04) oppure collegare un'opzione di frenatura.</li> <li>Verificare l'alimentazione e diminuire la tensione in conformità con le specifiche dell'inverter.</li> <li>Verificare l'interruttore ciclo di frenatura/resistenza.</li> </ul>
PF Perdita fase di ingresso		○	Perdita fase di ingresso Ondulazione tensione bus in continua eccessiva. Rilevata solo quando L8-05=1 (attivato)	<ul style="list-style-type: none"> <li>Stringere le viti dei terminali in ingresso.</li> <li>Verificare la tensione di alimentazione</li> </ul>
PGO PG Open		○	Scollegamento PG Rilevato quando F1-02 = 0, 1 o 2 e A1-02 = 1 o 3 Rilevato quando non vengono ricevuti impulsi PG (encoder) per un periodo di tempo superiore ai valori impostati in F1-14.	<ul style="list-style-type: none"> <li>Riparare il cavo rotto/scollegato.</li> <li>Alimentare correttamente il PG.</li> <li>Verificare la sequenza e se il freno è aperto quando l'inverter inizia a ridurre la velocità.</li> </ul>
		○	Scollegamento PG Rilevato quando F1-02 = 3 e A1-02 = 1 o 3. Non vengono ricevuti impulsi PG (encoder) per un periodo di tempo superiore ai valori impostati in F1-14.	

Display	Allarme	Errore	Significato	Azioni correttive
PUF Apertura fusibile bus in continua		○	Apertura fusibile bus in continua Il fusibile nel circuito principale è guasto. Avviso: Non vengono ricevuti impulsi PG (encoder) per un periodo di tempo superiore ai valori impostati in F1-14.	<ul style="list-style-type: none"> <li>• Verificare corto circuiti o errori d'isolamento del motore e dei cavi del motore (fase a fase).</li> <li>• Sostituire l'inverter dopo aver corretto l'errore.</li> </ul>
RR DynBrk Transistr		○	Transistor frenatura dinamica Il transistor di frenatura dinamica incorporato è insufficiente.	<ul style="list-style-type: none"> <li>• Riavviare l'inverter.</li> <li>• Sostituire l'inverter.</li> </ul>
UV1 DC Bus Undervolt	○ (solo in condizioni di arresto)	○	La tensione del bus in continua è inferiore al livello di rilevamento sottotensione. (L2-05). Le impostazioni predefinite sono: Classe 200 V: 190 Vc.c. Classe 400 V: 380 Vc.c.  Errore di funzionamento MC del circuito principale Nessuna risposta dall'MC durante il funzionamento dell'inverter.	<ul style="list-style-type: none"> <li>• Verificare la tensione d'ingresso.</li> <li>• Verificare il cablaggio dei terminali di ingresso.</li> <li>• Verificare la tensione d'ingresso e il cablaggio dei terminali di ingresso.</li> <li>• Aumentare le impostazioni in C1-01/03.</li> </ul> Sostituire l'inverter.
UV2 CTL PS Undervolt		○	Sottotensione dell'alimentazione di controllo. Sottotensione del circuito di controllo durante il funzionamento dell'inverter.	<ul style="list-style-type: none"> <li>• Rimuovere tutti i collegamenti ai terminali di controllo e riavviare l'inverter.</li> <li>• Sostituire l'inverter.</li> </ul>

## ◆ Errori di programmazione console

Un errore di programmazione della console (OPE) si verifica quando vengono impostati in modo inadeguato due o più parametri correlati tra loro o in caso di errata impostazione di un singolo parametro. L'inverter non funziona fino a quando il parametro non viene impostato correttamente; tuttavia non verranno emessi altri segnali di allarme o errore. Se si verifica un errore OPE, modificare il relativo parametro verificando la causa indicata nella tabella seguente. Quando viene visualizzato un errore OPE, premere il tasto ENTER per visualizzare U1-34 (OPE rilevato). Tale monitor visualizza il parametro che causa l'errore OPE.

Display	Significato	Azioni correttive
OPE01 kVA Selection	Errore d'impostazione kVA dell'inverter	Immettere l'impostazione kVA corretta in o2-04.
OPE02 Limit	L'impostazione del parametro non rientra nel relativo intervallo.	Verificare le impostazioni dei parametri.
OPE03 Terminale	Si è verificato uno dei seguenti errori nelle impostazioni dell'ingresso multifunzione (da H1-01 a H1-05): <ul style="list-style-type: none"> <li>• Sono state selezionate funzioni doppie.</li> <li>• Comandi UP/DOWN (10 e 11) non selezionati contemporaneamente.</li> <li>• Comandi Up/Down (10 e 11) e Mantenimento rampa di accelerazione/decelerazione (A) selezionati contemporaneamente.</li> <li>• Impostati più di un ingresso di ricerca della velocità (61, 62, 64) contemporaneamente.</li> <li>• Sono stati selezionati contemporaneamente il blocco base esterno NO (8) e il blocco base esterno NC (9).</li> <li>• Comandi Up/Down (10 e 11) selezionati con abilitazione del controllo PID.</li> <li>• I comandi di arresto d'emergenza NO (15) e NC (17) sono stati impostati contemporaneamente.</li> <li>• Controllo PID abilitato e comando UP o DOWN (10/11) impostato.</li> <li>• Comandi HSB (68) e KEB (65/66) impostati contemporaneamente.</li> </ul>	Verificare le impostazioni dei parametri in H1-□□
OPE05 Sequence Select	Errore di selezione sorgente per segnale RUN/di riferimento. Il parametro di selezione della fonte di riferimento b1-01 e/o il parametro di selezione della fonte di riferimento b1-02 vengono impostati su 3 (scheda opzionale) ma non è installata nessuna scheda opzionale.	<ul style="list-style-type: none"> <li>• Verificare che la scheda sia installata. Staccare la corrente e installare nuovamente la scheda opzionale</li> <li>• Verificare nuovamente l'impostazione di b1-01 e b1-02.</li> </ul>
OPE06 PG Opt Missing	Errore di selezione metodo di controllo È stato selezionato un metodo di controllo che richiede una retroazione PG (A1-02=1 o 3) ma non è installata una scheda accessoria PG.	Verificare la selezione del metodo di comando nel parametro A1-02 e/o l'installazione della scheda opzionale del PG.



Display	Significato	Azioni correttive
OPE08 Selezione costante	Errore selezione funzione È stata effettuata una impostazione che non è applicabile con il metodo di controllo corrente. Esempio: È stata selezionata una funzione usata solo con il controllo vettore ad anello aperto per il controllo V/f.	Verificare il metodo di controllo e la funzione.
OPE010 V/f Ptrn Setting	Errore d'impostazione parametro V/f	Verificare i parametri (E1-□□). Un valore di frequenza/tensione può essere impostato al di sopra del valore massimo di frequenza/tensione.

## ◆ Errori di autotuning

Di seguito sono riportati gli errori di autotuning. Quando i seguenti errori vengono rilevati, vengono visualizzati sulla console di programmazione e il motore continua a funzionare ad inerzia sino all'arresto completo. Non viene emesso alcun segnale d'errore o d'allarme.

Display	Significato	Azioni correttive
Er-01 Errore	Errore dati motore	<ul style="list-style-type: none"> <li>• Verificare i dati d'ingresso.</li> <li>• Controllare la capacità del motore e dell'inverter.</li> <li>• Verificare la corrente nominale del motore e l'impostazione della corrente senza carico.</li> </ul>
Er-02 Errore minore	Allarme	<ul style="list-style-type: none"> <li>• Verificare i dati d'ingresso.</li> <li>• Verificare il cablaggio e la macchina.</li> <li>• Verificare il carico.</li> </ul>
Er-03 Tasto STOP	Ingresso tasto STOP	-
Er-04 Resistenza	Errore resistenza di linea Il risultato dell'autotuning non rientra nella gamma di impostazione dei parametri.	<ul style="list-style-type: none"> <li>• Verificare i dati d'ingresso.</li> <li>• Controllare il cablaggio del motore.</li> </ul>
Er-05 No-Load Current	Errore di corrente senza carico Il risultato dell'autotuning non rientra nella gamma di impostazione dei parametri.	<ul style="list-style-type: none"> <li>• Se il motore è collegato alla macchina, scollegarlo.</li> <li>• Se l'impostazione di T1 – 03 è superiore alla tensione d'alimentazione d'ingresso inverter (E1 – 01), cambiare i dati di ingresso.</li> </ul>
Er-08 Rated slip	Errore scorrimento nominale Il risultato dell'autotuning non rientra nella gamma di impostazione dei parametri.	
Er-09 Accelerate	Errore di accelerazione (solo autotuning dinamico) Il motore non accelera al momento specificato (C1-10+10 sec.)	<ul style="list-style-type: none"> <li>• Aumentare C1 – 01 (tempo di accelerazione).</li> <li>• Aumentare L7 – 01 e L7 – 02 (limiti di coppia)</li> <li>• Se il motore è collegato alla macchina, scollegarlo.</li> </ul>
Er-11 Velocità motore	Errore velocità motore (solo autotuning dinamico) La coppia di riferimento supera il 100% durante l'accelerazione. Rilevato solo quando A1 – 02' = 2 o 3 (modalità di controllo vettore).	<ul style="list-style-type: none"> <li>• Se il motore è collegato alla macchina, scollegarlo.</li> <li>• Aumentare C1 – 01</li> <li>• Verificare i dati di input (in particolare il numero degli impulsi di PG e il numero di poli del motore).</li> </ul>
Er-12 I-det. di comando	Errore rilevamento corrente <ul style="list-style-type: none"> <li>• La corrente supera la corrente nominale del motore.</li> <li>• Uno dei U/T1, V/T2 e W/T3 ha una fase aperta.</li> </ul>	Verificare il cablaggio dell'inverter e il montaggio.
Er-13 Errore di induttanza di dispersione	Errore di induttanza di dispersione Il risultato dell'autotuning non rientra nella gamma di impostazione dei parametri.	Controllare il cablaggio del motore.
End-1 V/f Over Setting	Allarme impostazione corrente nominale Visualizzato al completamento dell'autotuning Durante l'autotuning il valore misurato della corrente nominale del motore (E2 – 01) era superiore al valore impostato.	Verificare il valore di corrente nominale del motore.
End-2 Saturation	Allarme saturazione nucleo motore (solo per autotuning dinamico)	<ul style="list-style-type: none"> <li>• Verificare i dati d'ingresso.</li> <li>• Controllare il cablaggio del motore.</li> <li>• Se il motore è collegato alla macchina, scollegarlo.</li> </ul>
End-3 Rated FLA Alm	Allarme impostazione corrente nominale Durante l'autotuning il valore misurato della corrente nominale del motore (E2 – 01) era superiore al valore impostato.	Verificare il valore di corrente nominale del motore.

# Guia Rápido do F7Z

## Índice

<b>Avisos .....</b>	<b>PT-2</b>
◆ Precauções e instruções de segurança .....	PT-3
◆ Compatibilidade EMC .....	PT-4
<b>Instalação .....</b>	<b>PT-6</b>
◆ Instalação mecânica .....	PT-6
◆ Ligação eléctrica .....	PT-8
◆ Ligar as entradas do circuito principal .....	PT-12
<b>Funcionamento do teclado numérico .....</b>	<b>PT-14</b>
◆ Ecrã da consola digital (opcional) .....	PT-14
<b>Arranque e configuração de parâmetros básica .....</b>	<b>PT-15</b>
◆ Procedimento de arranque .....	PT-15
◆ Antes de ligar a alimentação .....	PT-16
◆ Ecrã após ligar a alimentação .....	PT-16
◆ Ajuste automático .....	PT-16
<b>Parâmetro do utilizador .....</b>	<b>PT-18</b>
<b>Resolução de problemas .....</b>	<b>PT-21</b>
◆ Alarmes e falhas gerais .....	PT-21
◆ Erros de programação do operador .....	PT-23
◆ Falhas do ajuste automático .....	PT-24



## CUIDADO

**Os cabos não podem ser ligados ou desligados, nem efectuados testes de sinal, enquanto a alimentação estiver ligada.**

O condensador do bus DC F7 permanece carregado mesmo após a alimentação ser desligada. Para evitar o risco de um choque eléctrico, desligue o variador de frequência do circuito principal antes de efectuar qualquer operação de manutenção. Posteriormente aguarde, pelo menos, 5 minutos após os LEDS desligarem-se.

Não execute testes de resistência à tensão em qualquer parte do Varispeed. O variador de frequência contém semicondutores, que não estão preparados para suportar altas tensões.

Não remova a consola digital enquanto a alimentação do circuito principal estiver ligada. A placa do circuito impresso também não pode ser tocada enquanto o variador estiver ligado à alimentação.

Nunca ligue filtros de supressão de interferência LC/RC, condensadores ou dispositivos de protecção contra sobretensão à entrada ou saída do variador.

Para a apresentação de falhas de sobrecorrente, etc. desnecessárias, os contactos de sinal de qualquer contactor ou interruptor colocado entre o variador e o motor tem de ser integrado na lógica de controlo do variador (por exemplo, baseblock).

Isto é essencial!

Deverá ler cuidadosamente este manual antes de ligar e operar com o variador. Todas as precauções e instruções de segurança têm de ser seguidas.

O variador tem de ser operado com os filtros de linha apropriados, seguindo as instruções de instalação deste manual e com todas as coberturas fechadas e terminais protegidos. Apenas nesse caso a protecção é adequada. Não ligue ou opere qualquer equipamento com danos visíveis ou com peças em falta. A empresa operador é responsável por quaisquer danos pessoais ou de equipamento resultantes da falha no cumprimento dos avisos deste manual.

## ◆ Precauções e instruções de segurança

### ■ Geral

Deverá ler cuidadosamente as precauções e instruções de segurança antes de instalar e operar este variador. Leia também os sinais de aviso no variador e certifique-se que não são danificados ou removidos.

Podem ser acedidos componentes com carga durante a operação. Se remover componentes da estrutura, da consola digital ou as protecções do terminal corre o risco de sofrer lesões graves ou de provocar danos ao equipamento no caso de ter sido efectuada uma instalação ou operação incorrecta. Pelo facto dos variadores de frequência controlarem a rotação de componentes mecânicos da máquina poderão advir outros perigos.

As instruções deste manual têm de ser cumpridas. A instalação, operação e manutenção apenas podem ser efectuadas por pessoal qualificado. No âmbito das precauções de segurança, entende-se pessoal qualificado como indivíduos familiarizados com a instalação, arranque, operação e manutenção dos variadores de frequência e possuem qualificações apropriadas para executar este tipo de trabalho. Apenas é possível a operação em segurança destas unidades se forem utilizadas de forma adequada para o propósito previsto.

Os condensadores do bus DC podem permanecer com carga durante cerca de 5 minutos após o variador ser desligado da alimentação. Assim, é necessário esperar pelo menos 5 minutos antes de abrir as coberturas. Todos os terminais do circuito principal podem ainda estar carregados com tensões que podem ser perigosas.

Não podem ter acesso a estes variadores crianças e pessoas não autorizadas.

Mantenha estas precauções de segurança e instruções de utilização acessíveis e forneça-as a todas as pessoas com algum tipo de acesso aos variadores.

### ■ Utilização prevista

Os variadores de frequências foram projectados para serem instalados em sistemas eléctricos ou em maquinaria.

A sua instalação em máquinas e em sistemas tem de estar de acordo com as seguintes normas da directiva de baixas tensões.

EN 50178, 1997-10, Equipamento de sistemas de alimentação com dispositivos electrónicos

EN 60204-1, 1997-12 Segurança de máquina e equipamento de dispositivos eléctricos

Parte 1: Requisitos gerais (IEC 60204-1:1997)/

Atenção: Inclui a corrigenda de Setembro de 1998

EN 61010-1, A2, 1995 Requisitos de segurança para equipamento de tecnologia de informação

(IEC 950, 1991 + A1, 1992 + A2, 1993 + A3, 1995 + A4, 1996, modificado)

A marca CE passa a EN 50178, utilizando os filtros de linha especificados neste manual e seguindo as instalações de instalação apropriadas.

### ■ Transporte e armazenamento

As instruções para transporte, armazenamento e manuseamento correcto têm de ser respeitadas de acordo com os dados técnicos.

### ■ Instalação

Instale e arrefeça os variadores conforme especificado na documentação. O ar de arrefecimento tem de fluir na direcção especificada. O variador apenas pode ser utilizado na posição especificada (ou seja, na posição vertical). Mantenha as folgas especificadas. Proteja os variadores de cargas não permitidas. Os componentes não podem ser dobrados e as folgas de isolamento não podem ser alteradas. Para evitar danos causados pela electricidade estática não toque em quaisquer componentes electrónicos ou contactos.

## ■ Ligação eléctrica

Execute qualquer trabalho em equipamento com carga em conformidade com os regulamentos nacionais de segurança e de prevenção de acidentes. Execute a instalação eléctrica em conformidade com os regulamentos relevantes. Em particular, siga as instruções de instalação garantido a compatibilidade electromagnética (EMC), ou seja blindagem, ligação à terra, disposição dos filtros e colocação dos cabos. Também aplicável a equipamento com a marca CE. É responsabilidade do fabricante do sistema ou da máquina garantir a conformidade com os limites da EMC.

Contacte o seu fornecedor ou o representante de controlo de movimento da Omron-Yaskawa quando utilizar o disjuntor de corrente de fuga em conjunção com os variadores de frequência.

Em alguns sistemas pode ser necessário utilizar monitorização adicional e dispositivos de segurança em conformidade com os regulamentos segurança e de prevenção de acidentes. O hardware do variador de frequência não pode ser modificado.

## ■ Notas

Os variadores de frequência Varispeed F7 são certificados pelas normas CE, UL, e c-UL.

---

## ◆ Compatibilidade EMC

### ■ Introdução

Este manual foi compilado para ajudar os fabricantes de sistema que utilizam os variadores de frequência de controlo de movimento OMRON-YASKAWA (OYMC) a desenhar e a instalar comutadores eléctricos. Também descreve as medidas necessárias para estarem em conformidade com a directiva EMC. As instruções de instalação e de cablagem presentes neste manual têm de ser cumpridas à risca.

Os nossos produtos são testados pelas entidades competentes utilizando as normas listadas abaixo.

Norma de produtos: EN 61800-3:1996  
EN 61800-3; A11:2000

### ■ Medidas para garantir a conformidade dos variadores de frequência OYMC à directiva EMC.

Os variadores de frequência de OYMC não necessitam de ser obrigatoriamente instalados num compartimento de comutação.

Não é possível fornecer instruções detalhadas para todos os tipos de instalação possíveis. Este manual limita-se a fornecer as directrizes gerais.

Todos os equipamentos eléctricos geram interferências rádio e de linha em várias frequências. Os cabos transmitem estas interferências para o ambiente por via aérea.

Ligar um componente eléctrico (por exemplo um motor) a uma fonte de alimentação sem um filtro de linha pode injectar interferências HF ou LF ao circuito principal.

As contra-medidas básicas são: o isolamento da cablagem de controlo e dos componentes de potência, ligação à terra adequada e blindagem dos cabos.

É necessária uma área de contacto grande para efectuar a ligação à terra que permita a dissipação da interferência HF. Recomenda-se assim a utilização de correias de ligação à terra em vez de cabos.

Além disso, a blindagem dos cabos tem de ser ligada com grampos para ligação à terra.

## ■ Colocação dos cabos

Medidas para evitar a interferência de linha:

O filtro de linha e o variador de frequência têm de ser montados na mesma placa metálica. Monte os dois componentes o mais próximo possível um do outro, com cabos tão curtos quanto possível.

Utilize um cabo de alimentação com uma blindagem adequadamente ligada à terra. Para cabos do motor até 50 metros em comprimento utilize cabos blindados. Disponha todas as ligações à terra de forma a maximizar a área na extremidade do condutor em contacto com o terminal de terra (ou seja, uma placa de metal).

Cabo blindado:

- Utilize um cabo com blindagem entrelaçada.
- Ligue à terra o máximo de área possível do cabo. Recomenda-se a ligação à terra da blindagem ligando o cabo à placa de ligação à terra com grampos de metal (ver a figura seguinte).

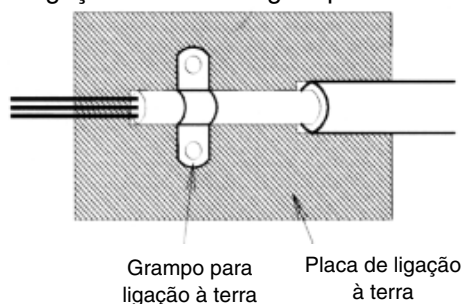


Fig 1 Ligação à terra do cabo blindado com grampos metálicos

As superfícies de ligação à terra têm de ser de um metal em bruto altamente condutor. Remova quaisquer camadas de verniz e de tinta.

- Ligue as extremidades da blindagem do cabo à terra.
- Ligue à terra o motor da máquina.

# Instalação

## ◆ Instalação mecânica

### ■ Desempacotar o variador

Verifique os itens seguintes após desempacotar o variador.

Item	Método
Foi recebido o modelo correcto de variador?	Verifique o número do modelo na placa de identificação na parte lateral do variador.
O variador está danificado?	Inspeccione o exterior do variador procurando por risco ou outros danos derivados do transporte.
Algum parafuso ou outro componente está solto ou com folga?	Utilize uma chave de fendas ou outras ferramentas para assegurar-se do aperto.

Se encontrar quaisquer irregularidades nos itens listados, contacte imediatamente a agência onde comprou o variador ou o seu representante de controlo de movimento Omron-Yaskawa.

### ■ Verificar o local de instalação

As coberturas de protecção estão anexadas ao topo e ao fundo dos variadores NEMA 1/IP20. Certifique-se de que remove as coberturas de topo antes de colocar em funcionamento dentro de um painel um variador da classe de 200 ou 400 V com uma capacidade de 18,5 kW ou inferior.

Tome em consideração as precauções seguintes quando montar o variador:

- Instale o variador num local limpo, sem vapor de óleo nem poeiras. Pode ser instalado num quadro totalmente coberto que esteja protegido da poeira flutuante.
- Quando instalar ou operar o variador, tome precauções especiais por forma a que o metal em pó, óleo, água ou outro material externo não se infiltre no variador.
- Não instale o variador sobre material combustível, tal como a madeira.
- Instale o variador num local sem materiais radioactivos ou combustíveis.
- Instale o variador num local sem gases nocivos e líquidos.
- Instale o variador num local estável (sem oscilação excessiva).
- Instale o variador num local sem cloretos.
- Instale o variador num local que não esteja exposto à luz do sol.

## ■ Orientação da instalação

Instale o variador de forma vertical por forma a não reduzir o efeito de refrescamento. Quando instalar o variador, deixe sempre o espaço de instalação seguinte para permitir a dissipação do calor normalmente.

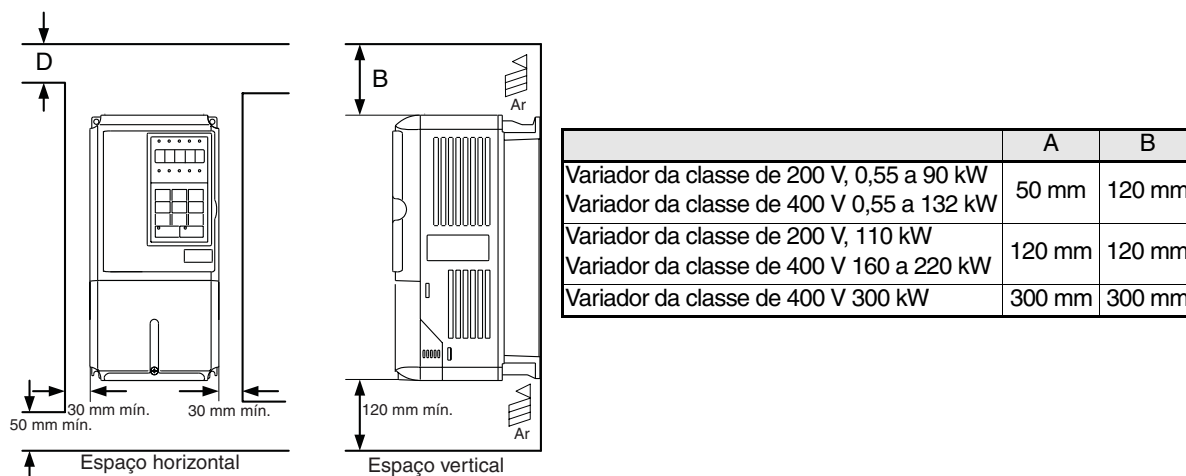


Fig 2 Local de instalação



**IMPORTANTE**

1. É necessário o mesmo espaço horizontal e verticalmente para os variadores IP00, IP20 e NEMA 1
2. Remova sempre a tampa de protecção superior após instalar um variador com saída de 18,5 kW ou inferior num painel.  
Deixe sempre espaço suficiente para os pernos com olhal suspensos e para as linhas do circuito principal quando instalar um variador com uma saída de 22 kW ou mais num painel.

## ■ Instalação de variadores e filtros EMC

Para uma instalação de acordo com as normas EMC considere os pontos seguintes:

- Utilize um filtro de linha.
- Utilize cabos de motor blindados.
- Monte o variador e o filtro numa placa condutora ligada à terra.
- Remova resíduos de tinta ou poeira antes de montar as peças por ordem para obter a menor impedância da ligação à terra possível.

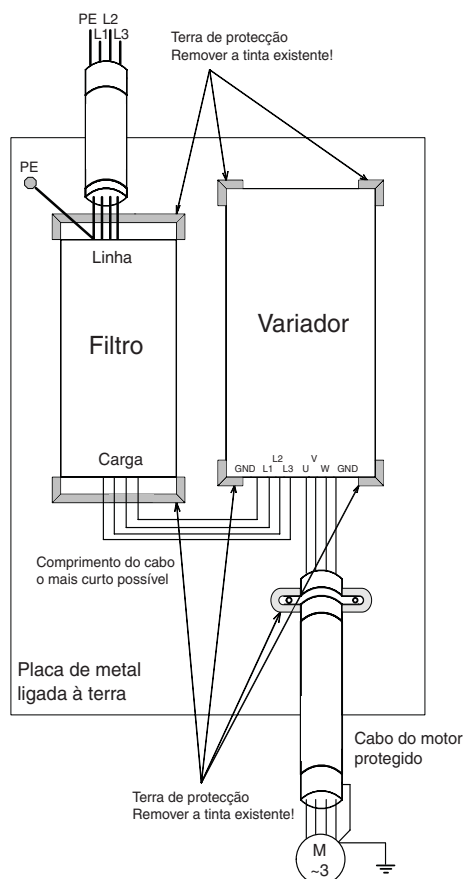


Fig 3 Instalação de filtro EMC



## ◆ Ligação eléctrica

### ■ Ligar o variador

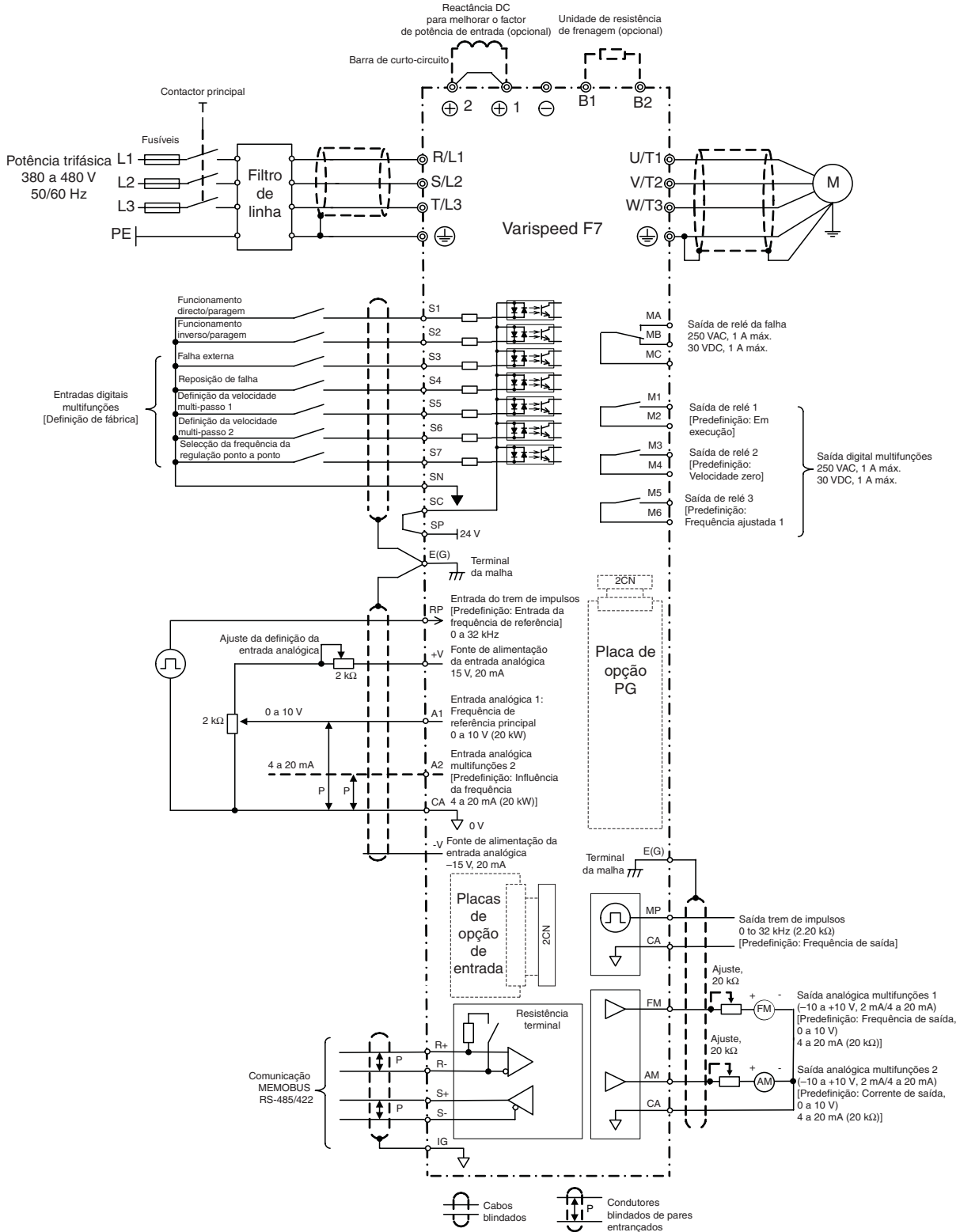


Fig 4 Diagrama de ligações

## ■ Terminais do circuito principal

As funções de terminal do circuito principal encontram-se sumarizadas consoante os símbolos do terminal em [Tabela 1](#). Ligue os terminais da forma mais adequada ao objectivo pretendido.

Tabela 1 Funções de terminal do circuito principal (Classe de 200 V e de 400 V)

Propósito	Símbolo de terminal	Modelo: CIMR-F7Z□□□□	
		Classe de 200 V	Classe de 400 V
Entrada da alimentação do circuito principal	R/L1, S/L2, T/L3	20P4 a 2110	40P4 a 4300
	R1/L11, S1/L21, T1/L31	2022 a 2110	4022 a 4300
Saídas do variador	U/T1, V/T2, W/T3	20P4 a 2110	40P4 a 4300
Terminais do bus DC	⊕1, ⊖	20P4 a 2110	40P4 a 4300
Ligação da unidade de resistência de frenagem	B1, B2	20P4 a 2018	40P4 a 4018
Ligação da reactância DC	⊕1, ⊕2	20P4 a 2018	40P4 a 4018
Ligação da unidade de frenagem	⊕3, ⊖	2022 a 2110	4022 a 4300
Terra	⊕	20P4 a 2110	40P4 a 4300

## ■ Terminais do circuito de controlo

[Fig 5](#) mostra a disposição dos terminais de controlo. As funções dos terminais do circuito de controlo são mostradas em [Tabela 2](#). Utilize os terminais adequados para os objectivos pretendidos.

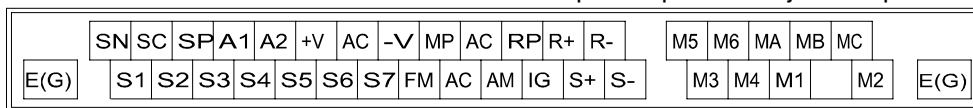


Fig 5 Disposição do terminal de controlo

Tabela 2 Terminais do circuito de controlo com definições predefinidas

Tipo	N.º	Nome do sinal	Função	Nível do sinal	
Sinais de entrada digitais	S1	Comando de funcionamento directo/paragem	Quando ligado, funcionamento directo; paragem quando desligado.	24 VDC, 8 mA Isolamento do fotoacoplador	
	S2	Comando de funcionamento inverso/paragem	Quando ligado, funcionamento inverso; paragem quando desligado.		
	S3	Entrada da falha externa <sup>*1</sup>	Falha quando ligado.		As funções são seleccionadas configurando H1-01 a H1-05.
	S4	Reposição de falha <sup>*1</sup>	Reposição quando ligado		
	S5	Velocidade de referência multi-passo 1 <sup>*1</sup> (Interruptor principal/auxiliar)	Frequência de referência auxiliar quando ligado.		
	S6	Velocidade de referência multi-passo 2 <sup>*1</sup>	Velocidade multi-passo 2 quando ligado.		
	S7	Frequência de referência da regulação ponto a ponto <sup>*1</sup>	Frequência da regulação passo a passo quando ligado.		
	SC	Entrada digital comum	–		–
	SN	Neutro da entrada digital	–		–
	SP	Fonte de alimentação da entrada digital	Fonte de alimentação de +24 VDC para entradas digitais		24 VDC, 250 mA máx. <sup>*2</sup>
Sinais de entrada analógicos	+V	Saída de potência de 15 V	Fonte de alimentação de 15 V para referência analógica	15 V (Corrente máx.: 20 mA)	
	A1	Frequência de referência	0 a +10 V/100%	–10 a +10 V (20 kΩ) 0 a +10 V (20 kΩ)	
	A2	Frequência de referência auxiliar	Frequência de referência analógica auxiliar; 4 a 20 mA (250 Ω)	A função é seleccionada configurando H3-09.	4 a 20 mA (250 Ω) 0 V a +10 V (20 kΩ) 0 a 20 mA (250 Ω)
	-V	Saída de potência de –15 V	Fonte de alimentação de –15 V para referência analógica		
	CA	Comum da referência analógica	–	–	
	E(G)	Fio blindado, ponto de ligação à linha de terra opcional	–	–	

Tipo	N.º	Nome do sinal	Função	Nível do sinal
Sinais de saída digitais	M1	Durante o funcionamento (NA)	Fechado durante o funcionamento	Contactos do relé Capacidade do contacto: máx. 1 A a 250 VAC máx. 1 A a 30 VDC <sup>*3</sup>
	M2			
	M3	Velocidade zero (NA)	Fechado quando a frequência de saída estiver no nível zero (b2-01) ou abaixo	
	M4			
	M5	Detecção de ajuste de velocidade (NA)	Entre ± 2 Hz da frequência definida quando ligado	
	M6			
	MA	Sinal de saída da falha	Fechado em MA e MC durante as falhas Aberto em MB e MC durante as falhas	
	MB			
MC				
Sinais de saída analógicos	FM	Frequência de saída	Sinal da frequência de saída analógico; 0 a 10 V; 10 V = FMAX	Função seleccionada por H4-01 0 a +10 V máx. ±5% 2 mA máx.
	CA	Analogico Comum	–	–10 a +10 V máx. ±5% 2 mA máx.
	AM	Potência de saída do variador	Sinal da potência de saída analógico; 0 a 10 V; 10 V = capacidade máx. apl. do motor	Função seleccionada por H4-04 4 a 20 mA
E/S de impulso	RP	Entrada de impulsos	H6-01 (Entrada da frequência de referência) <sup>*4</sup>	0 a 32 kHz (3 kΩ) Tensão de nível elevado de 3,5 a 13,2 V
	MP	Saída de impulsos	H6-06 (Frequência de saída)	0 a 32 kHz Saída de +15 V (2,2 kΩ)
RS-485/422	R+	Entrada de comunicações MEMOBUS	Para RS-485 de 2 fios, efectue um curto-circuito em R+ e S+ assim como R- e S-.	Entrada diferencial, isolamento PHC
	R-			
	S+	Saída de comunicações MEMOBUS		Entrada diferencial, isolamento PHC
	S-			
	IG	Sinal Comum		–

\*1. As definições predefinidas são fornecidas para os terminais S3 a S7. Para uma sequência de 3 fios, as definições predefinidas são uma sequência de 3 fios para S5, definição de velocidade multi-passo 1 para S6 e definição de velocidade multi-passo 2 para S7.

\*2. Não utilize esta fonte de alimentação para alimentar qualquer equipamento externo.

\*3. Quando estiver a propulsionar uma carga reactiva, como uma bobina de relé com fonte de alimentação DC, insira sempre um diodo volante conforme mostrado na [Fig 6](#)

\*4. As especificações da entrada de impulsos são apresentadas na tabela seguinte:

Tensão de nível baixo	0,0 a 0,8 V
Tensão de nível elevado	3,5 a 13,2 V
Ciclo H	30% a 70%
Frequência de impulso	0 a 32 kHz

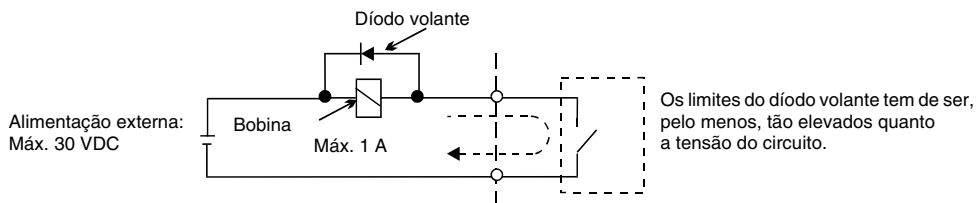


Fig 6 Ligação do diodo volante

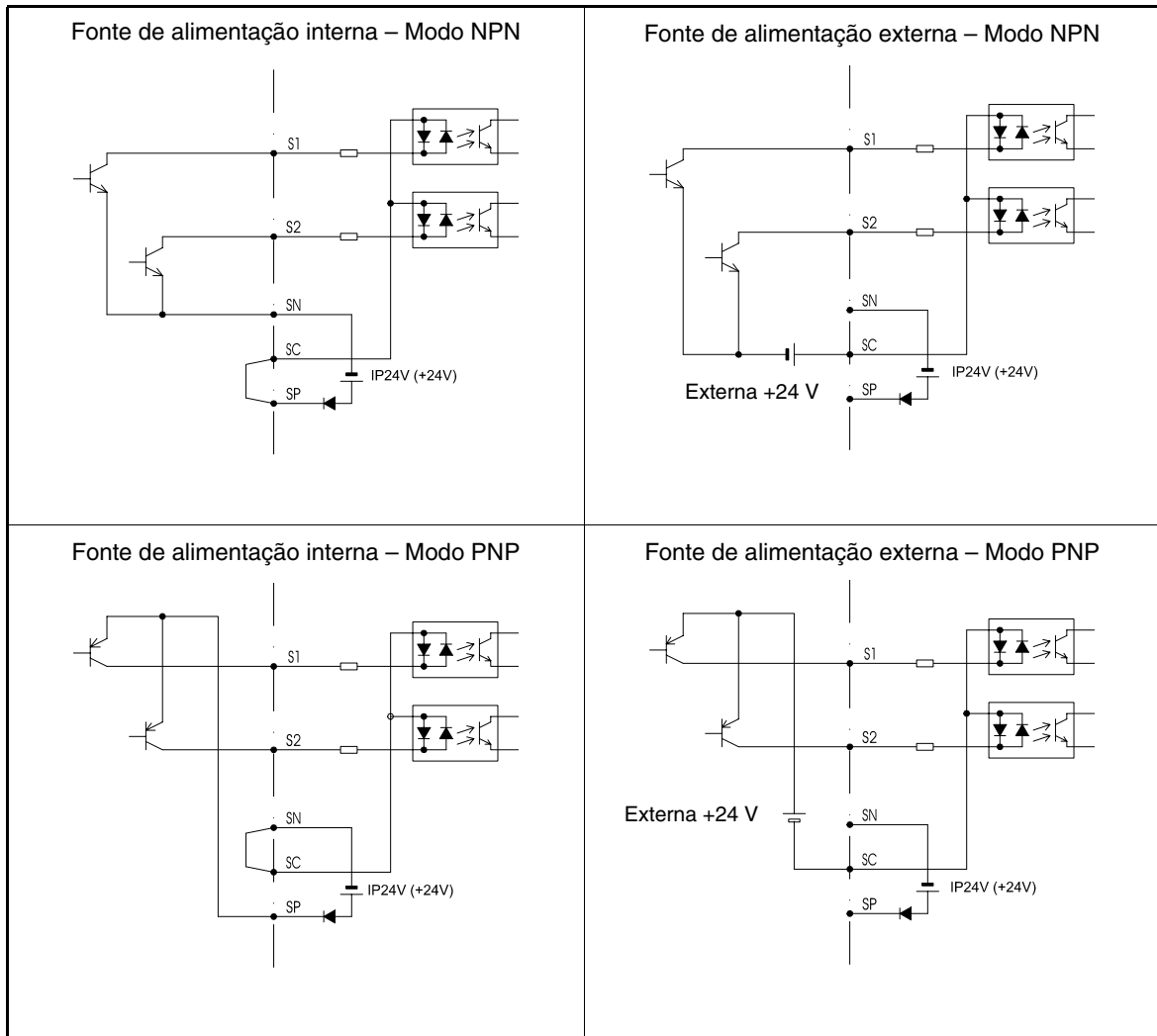


- Na [Fig 4](#) a ligação das entradas digitais S1 a S7 é apresentada para ligação dos contactos ou transistores NPN (comum de 0V e modo NPN). Esta é a configuração predefinida. Para ligação dos transistores PNP ou para utilizar uma fonte de alimentação externa de 24V consulte a [Tabela 3](#).
- Uma reactância DC apenas é opção para variadores de 18,5 kW ou inferior. A barra de curto-circuito deve ser removida quando ligar uma reactância DC

## ■ Modo NPN/PNP (Seleccão)

A lógica do terminal de entrada pode ser comutada entre modo NPN (comum de 0 V) e modo PNP (comum de +24 V) utilizando o conector CN5. Também é suportada uma fonte de alimentação externa, permitindo maior flexibilidade nos métodos de entrada do sinal.

Tabela 3 Modo NPN/PNP e sinais de entrada



## ◆ Ligar as entradas do circuito principal

### Instalar os fusíveis

Para proteger o variador, recomenda-se a utilização de fusíveis de semicondutor iguais aos mostrados na tabela abaixo.

Tabela 4 Selecção do fusível de entrada

Tipo de variador	Saída de corrente nominal do variador (A)	Selecção do fusível			Exemplo de selecção (Ferraz)		
		Tensão (V)	do variador (A)	I <sup>2</sup> t (A <sup>2</sup> s)	Modelo	Classificação	I <sup>2</sup> t (A <sup>2</sup> s)
20P4	3,2	240	10	12~25	A60Q12-2	600 V/12 A	17
20P7	4,1	240	10	12~25	A60Q12-2	600 V/12 A	17
21P5	7,0	240	15	23~55	A60Q15-2	600 V/15 A	26
22P2	9,6	240	20	34~98	A60Q20-2	600 V/20 A	41
23P7	15	240	30	82~220	A60Q30-2	600 V/30 A	132
25P5	23	240	40	220~610	A50P50-4	500 V/50 A	250
27P5	31	240	60	290~1300	A50P80-4	500 V/80 A	640
2011	45	240	80	450~5000	A50P80-4	500 V/80 A	640
2015	58	240	100	1200~7200	A50P125-4	500 V/125 A	1600
2018	71	240	130	1800~7200	A50P150-4	500 V/150 A	2200
2022	85	240	150	870~16200	A50P150-4	500 V/150 A	2200
2030	115	240	180	1500~23000	A50P200-4	500 V/200 A	4000
2037	145	240	240	2100~19000	A50P250-4	500 V/ 250 A	6200
2045	180	240	300	2700~55000	A50P300-4	500 V/300 A	9000
2055	215	240	350	4000~55000	A50P350-4	500 V/350 A	12000
2075	283	240	450	7100~64000	A50P450-4	500 V/450 A	20000
2090	346	240	550	11000~64000	A50P600-4	500 V/600 A	36000
2110	415	240	600	13000~83000	A50P600-4	500 V/600 A	36000
40P4	1,8	480	5	6~55	A60Q10-2	600 V/10 A	10
40P7	2,1	480	5	6~55	A60Q10-2	600 V/10 A	10
41P5	3,7	480	10	10~55	A60Q12-2	600 V/12 A	17
42P2	5,3	480	10	18~55	A60Q15-2	600 V/15 A	26
43P7	7,6	480	15	34~72	A60Q20-2	600 V/20 A	41
44P0	8,7	480	20	50~570	A60Q30-2	600 V/30 A	132
45P5	12,5	480	25	100~570	A60Q30-2	600 V/30 A	132
47P5	17	480	30	100~640	A60Q30-2	600 V/30 A	132
4011	24	480	50	150~1300	A70P50-4	700 V/50 A	300
4015	31	480	60	400~1800	A70P70-4	700 V/70 A	590
4018	39	480	70	700~4100	A70P80-4	700 V/80 A	770
4022	45	480	80	240~5800	A70P80-4	700 V/80 A	770
4030	60	480	100	500~5800	A70P100-4	700 V/100 A	1200
4037	75	480	125	750~5800	A70P125-4	700 V/125 A	1900
4045	91	480	150	920~13000	A70P150-4	700 V/150 A	2700
4055	112	480	150	1500~13000	A70P200-4	700 V/200 A	4800
4075	150	480	250	3000~55000	A70P250-4	700 V/250 A	7500
4090	180	480	300	3800~55000	A70P300-4	700 V/300 A	11000
4110	216	480	350	5400~23000	A70P350-4	700 V/350 A	15000
4132	260	480	400	7900~64000	A70P400-4	700 V 400 A	19000
4160	304	480	450	14000~250000	A70P450-4	700 V/450 A	24000
4185	370	480	600	20000~250000	A70P600-4	700 V/600 A	43000
4220	506	480	700	34000~400000	A70P700-4	700 V/700 A	59000
4300	675	480	900	52000~920000	A70P900-4	700 V/900 A	97000

Considere as precauções seguintes para a entrada da fonte de alimentação do circuito principal.

- Se for utilizado um disjuntor em caixa moldada para a ligação da fonte de alimentação (R/L1, S/L2 e T/L3), certifique-se que o disjuntor é o adequado para o variador.
- Se for utilizado um circuito impeditivo de passagem de corrente para o solo, deverá ser capaz de detectar todos os tipos de corrente para garantir uma detecção segura da passagem de corrente para o solo.
- Pode ser utilizado um contactor magnético ou outro dispositivo de comutação na entrada do variador. O variador não deverá efectuar mais de um arranque por hora.

- As fases da entrada (R/S/T) podem ser ligadas por qualquer ordem.
- Se o variador estiver ligado a um transformador de potência de elevada capacidade (600 kW ou mais) ou se for ligado um condensador de avanço de fase nas proximidades, pode ocorrer um excesso de pico de corrente através do circuito de potência de entrada, provocando danos no variador. Como medida preventiva instale uma reactância AC opcional na entrada do variador ou uma reactância DC nos terminais de ligação da reactância DC.
- Utilize um supressor de picos ou díodo nas cargas indutivas próximas do variador. As cargas indutivas incluem contactores magnéticos, relés electromagnéticos, válvulas de solenóide, solenóides e travões magnéticos.

### ■ Ligar a saída ao circuito principal

Considere as precauções seguintes para a ligação do circuito de saída.

- Nunca ligue quaisquer fontes de alimentação aos terminais de saída do variador. Caso contrário o variador pode ser danificado.
- Nunca efectue um curto-circuito ou uma ligação à terra nos terminais de saída. Caso contrário o variador pode ser danificado.
- Não utilize condensadores de rectificação de fase. Caso contrário, o variador e os condensadores podem ser danificados.
- Verifique a sequência de controlo para assegurar-se que o contactor magnético (MC) entre o variador e o motor não está ligado ou desligado durante o funcionamento do variador. Se o MC estiver ligado enquanto o variador estiver em funcionamento, será gerada uma corrente de pico elevada e pode entrar em funcionamento a protecção de sobrecorrente do variador.

### ■ Ligação à terra

Considere as precauções seguintes para a ligação à terra.

- Não partilhe a ligação à terra com outros dispositivos, tais como máquinas de soldadura ou ferramentas mecânicas.
- Utilize sempre um fio de terra de acordo com as normas técnicas no equipamento eléctrico e minimize o comprimento do mesmo.

A corrente de fuga é provocada pelo variador. Assim, se a distância entre o eléctrodo de terra e o terminal de terra for demasiado longa, o potencial no terminal de terra do variador será instável.

- Quando for utilizado mais de um variador, não faça uma malha com o fio de terra.

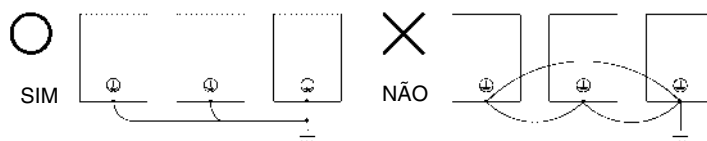


Fig 7 Ligação à terra

### ■ Precauções sobre a ligação do circuito de controlo

Considere as precauções seguintes na ligação dos circuitos de controlo.

- Separe as ligações do circuito de controlo das ligações do circuito principal (terminais R/L1, S/L2, T/L3, B1, B2, U/T1, V/T2, W/T3, B1, B2, ⊖, ⊕1, ⊕2 e ⊕3, PO, NO) e outras linhas de alta potência.
- Separe as ligações dos terminais do circuito de controlo MA, MB, MC, M1 a M6 (saídas de relé) das ligações a outros terminais do circuito de controlo.
- Se for utilizada uma fonte de alimentação externa opcional, deverá ser uma fonte de alimentação UL de classe 2.
- Utilize condutores de pares entrançados ou condutores de pares entrançados blindados nos circuitos de controlo para evitar falhas na operação.
- Efectue a ligação à terra da blindagem dos cabos maximizando a área de contacto entre a blindagem e a terra.
- Ambas as extremidades da blindagem do cabo têm de ser ligadas à terra

# Funcionamento do teclado numérico

## ◆ Ecrã da consola digital (opcional)

Os nomes das teclas e funções da consola digital são descritos abaixo



Indicadores de modo Drive

FWD: Acende-se com a entrada do comando de arranque de sentido directo.

REV: Acende-se com a entrada do comando de arranque de sentido inverso.

SEQ: Acende-se quando é seleccionado um comando de arranque externo à consola digital.

REF: Acende-se quando é seleccionada uma fonte da frequência de referência externa à consola digital.

ALARM: Acende-se quando ocorreu um erro ou alarme.

Ecrã de dados

Visualiza dados de monitorização, números de parâmetro, e ajustes.

*Indicador de modo* (apresentado no canto superior esquerdo do visor de apresentação de dados)

DRIVE: Acende-se em modo Drive.

QUICK: Acende-se em modo de programação rápida.

ADV: Acende-se em modo de programação avançado.

VERIFY: Acende-se no modo de verificação.

A. TUNE: Acende-se no modo de ajuste automático.

Teclas

Executar operações tais como configuração de parâmetros do utilizador, monitorização, regulação ponto a ponto e ajuste automático.

## ■ Teclas da consola digital

Sequência	Nome	Função
	Tecla LOCAL/REMOTE (LOCAL/REMOTO)	Efectua a comutação de operação através da consola digital (LOCAL) e das definições em b1-01 e b1-02 (REMOTO). Esta tecla pode ser activada ou desactivada através do parâmetro o2-01.
	Tecla MENU	Selecciona os modos.
	Tecla ESC	Retorna ao estado anterior a ter sido premida a tecla DATA/ENTER.
	Tecla JOG	Activa a regulação ponto a ponto quando o variador está a ser controlado a partir da consola digital.
	Tecla FWD/REV	Selecciona a direcção de rotação do motor quando o variador está a ser controlado a partir da consola digital.
	Tecla Shift/RESET	Define o dígito activo durante a programação dos parâmetros do utilizador.
	Tecla de incrementar	Selecciona os números dos parâmetros do utilizador e incrementa os parâmetros definidos. Utilizado para passar para o item ou dados seguintes.
	Tecla de decrementar	Selecciona os números dos parâmetros do utilizador e decrementa os parâmetros definidos. Utilizado para passar para o item ou dados anteriores.
	Tecla DATA/ENTER	Entra nos menus e parâmetros e valida os parâmetros definidos.
	Tecla RUN	Inicia o funcionamento quando o variador está a ser controlado pela consola digital (Modo LOCAL).
	Tecla STOP	Pára o variador (modo LOCAL e REMOTO). Esta tecla pode ser activada ou desactivada através do parâmetro o2-02 quando estiver a utilizar um controlo externo à consola.

# Arranque e configuração de parâmetros básica

## ◆ Procedimento de arranque

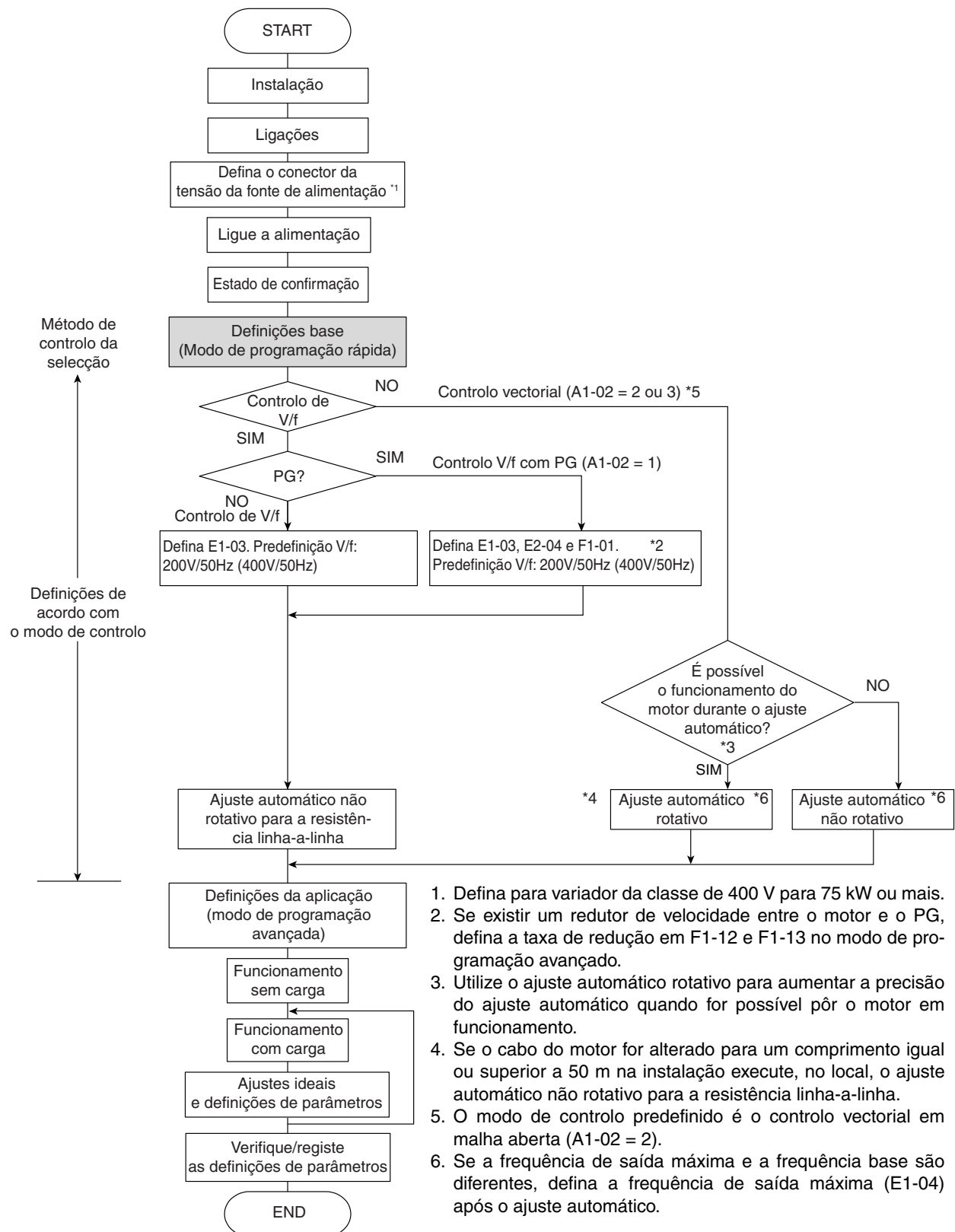


Fig 8 Fluxograma do funcionamento de ensaio



## ◆ Antes de ligar a alimentação

Deverá verificar minuciosamente os pontos seguintes antes de ligar a alimentação.

- Verifique se a fonte de alimentação está de acordo com as especificações do variador.
- Verifique se os cabos da fonte de alimentação estão ligados aos terminais correctos (L1, L2, L3).
- Verifique se os cabos do motor estão ligados de forma segura aos terminais correctos no variador (U, V, W) assim como no motor.
- Verifique se a unidade de travagem/resistência de frenagem estão devidamente ligados.
- Verifique se o terminal do circuito de controlo do variador e o dispositivo de controlo estão correctamente ligados.
- Configure todos os terminais do circuito de controlo do variador para OFF (desligado).
- Quando for utilizada uma placa PG, verifique se está devidamente ligada.

## ◆ Ecrã após ligar a alimentação

Após um arranque normal o ecrã do operador apresenta as mensagens seguintes

Ecrã para funcionamento normal

```
-DRIVE-      Rdy
  Frequência ref.
U1- 01=50,00Hz
-----
U1-02=50,00Hz
U1-03=10,05A
```

O monitor da frequência de referência é apresentado na secção de visualização de dados.

Quando ocorrer uma falha ou estiver um alarme activo, será apresentada a mensagem de falha ou de alarme. Neste caso, consulte [página 21, Resolução de problemas](#).

Ecrã para funcionamento com falha

```
-DRIVE-
      UV
Subtensão do bus DC
```

É apresentada uma mensagem de falha ou de alarme no ecrã. O exemplo apresenta um alarme de baixa tensão.

## ◆ Ajuste automático

O ajuste automático define os parâmetros do motor quando é utilizado o controlo vectorial em malha aberta ou fechada, quando o comprimento do cabo é longo ou a instalação é alterada.

### ■ Definir o modo de ajuste automático

Podem ser definidos os três modos de ajuste automático seguintes.

- Ajuste automático rotativo
- Ajuste automático não rotativo
- Ajuste automático não rotativo apenas para a resistência linha-a-linha

#### Ajuste automático rotativo (T1-01 = 0)

O ajuste automático rotativo é utilizado apenas para o controlo vectorial em malha aberta e fechada. Defina T1-01 para 0, introduza os dados da placa de identificação do motor e, em seguida, prima a tecla RUN na consola digital. O variador irá fazer o motor trabalhar durante aproximadamente 1 minuto e configurar automaticamente os parâmetros necessários do motor.

#### Ajuste automático não rotativo (T1-01 = 1)

O ajuste automático não rotativo é utilizado apenas para o controlo vectorial em malha aberta e fechada. Defina T1-01 para 1, introduza os dados da placa de identificação do motor e, em seguida, prima a tecla RUN na consola digital. O variador irá fornecer energia ao motor não rotativo

durante aproximadamente 1 minuto e alguns dos parâmetros do motor são configurados automaticamente. Os restantes parâmetros do motor serão configurados automaticamente durante a primeira operação.

### **Ajuste automático não rotativo para a resistência linha-a-linha (T1-01 = 2)**

O ajuste automático não rotativo para a resistência linha-a-linha pode ser utilizado em qualquer modo de controlo. Este é o único ajuste automático possível para o controlo V/f e V/f com PG.

O ajuste automático não rotativo para a resistência linha-a-linha pode ser utilizado em qualquer modo de controlo. Este é o único ajuste automático possível para o controlo V/f e V/f com PG.

Para executar o ajuste automático no controlo V/f ou controlo V/f com PG, defina T1-02 (potência nominal do motor) e T1-04 (corrente nominal do motor) e prima a tecla RUN na consola digital. O variador irá fornecer energia ao motor não rotativo durante aproximadamente 20 minutos e a resistência linha-a-linha do motor e do cabo serão medidas automaticamente.



1. Será fornecida energia ao motor durante o ajuste automático, mas o motor não rodará. Não toque no motor até terminar o ajuste automático.
2. Certifique-se de que todos os contactores do motor estão fechados antes de se iniciar um ajuste automático.
3. Para cancelar o ajuste automático prima a tecla STOP na consola digital.

### **■ Outros alarmes e falhas durante o ajuste automático**

Para obter uma descrição dos alarmes e falhas possíveis do ajuste automático e acções correctivas consulte [página 24, Falhas do ajuste automático](#).

# Parâmetro do utilizador

Número do parâmetro	Nome	Descrição
<b>Inicializar dados</b>		
A1-00	Seleção do idioma para o ecrã da consola digital (apenas JVOP-160-OY)	<b>0: Inglês</b> 2: Alemão 3: Francês 4: Italiano 5: Espanhol 6: Português
A1-01	Nível de acesso aos parâmetros	<b>0: Apenas monitorização (monitorização do modo de transmissão e definição de A1-01 e A1-04.)</b> 1: Utilizado para seleccionar os parâmetros do utilizador (apenas os parâmetros definidos em A2-01 a A2-32 podem ser lidos e configurados.) 2: Avançado (Os parâmetros podem ser lidos e configurados em ambos, modo de programação rápida (Q) e modo de programação avançada (A).)
A1-02	Seleção do método de controlo	<b>0: Controlo de V/f</b> 1: Controlo V/f com PG 2: Controlo vectorial em malha aberta 3: Controlo vectorial em malha fechada
A1-03	Inicializar	<b>0:</b> Sem inicialização <b>1110:</b> É inicializado utilizando os parâmetros do utilizador <b>2220:</b> É inicializado utilizando uma sequência de dois fios. (É inicializado para as definições de fábrica.) <b>3330:</b> É inicializado utilizando uma sequência de três fios.
<b>Sequência/Origem da referência</b>		
b1-01	Seleção da origem da referência	Define o método de entrada da frequência de referência. <b>0: Consola digital</b> 1: Terminal do circuito de controlo (entrada analógica) 2: Comunicação série (RS422/485) 3: Placa de opção
b1-02	Seleção da origem do comando RUN	Define o método de entrada do comando run. <b>0: Consola digital</b> 1: Terminal do circuito de controlo (entradas digitais) 2: Comunicação série (RS422/485) 3: Placa de opção
b1-03	Seleção do método de paragem	Selecciona o método de paragem quando o sinal de run é removido <b>0: Desaceleração para parar</b> 1: Esperar para parar 2: Injecção DC para parar 3: Esperar para parar com o temporizador (Os novos comandos Run são ignorados durante a espera.)
b1-04	Proibição de operação inversa	<b>0: Inversão activada</b> 1: Inversão desactivada 2: Rotação da fase de saída (ambas as direcções rotacionais são activadas) 3: Rotação da fase de saída com inversão desactivada.
<b>Definições de aceleração/desaceleração</b>		
C1-□□	Tempos de aceleração/desaceleração	Define o tempo para acelerar/desacelerar de 0 Hz até à frequência de saída máxima.
<b>Definições da curva S</b>		
C2-□□	Tempo característico da curva S durante a aceleração	Define a característica da curva S durante o início e o fim da aceleração.

Número do parâmetro	Nome	Descrição
<b>Compensação de patinagem do motor (não disponível em V/f com PG)</b>		
C3-01	Ganho de compensação de patinagem	Utilizado para melhorar a precisão da velocidade • Aumente se a frequência de saída for demasiado baixa • Diminua se a frequência de saída for demasiado alta.
C3-02	Tempo de atraso da compensação de patinagem (apenas disponível em V/f e OLV)	Define o tempo de atraso da compensação de patinagem • Aumente se a frequência de saída não estiver estável • Diminua quando a resposta da compensação de patinagem for baixa.
<b>Controlo de velocidade (ASR) (apenas disponível em V/f com PG e CLV)</b>		
C5-01	Ganho proporcional do ASR 1	Define o ganho proporcional do ciclo de velocidade (ASR)
C5-02	Tempo integral do ASR 1	Define o tempo integral do ciclo de velocidade (ASR)
C5-03	Ganho proporcional do ASR 2	
C5-04	Tempo integral do ASR 2	
C5-06	Tempo de atraso do ASR (apenas CLV)	Define a constante de tempo do filtro ASR.
C5-07	Frequência de comutação do ASR (apenas CLV)	Define a frequência para comutação entre o ganho ASR 1, 2 e o tempo integral ASR 1, 2
C5-08	Limite do integral do ASR (apenas CLV)	Define o limite para o integral do controlador ASR.
<b>Frequência da portadora</b>		
C6-01	Seleção de tarefas pesadas/normais	<b>0: Tarefa pesada</b> 1: Tarefa normal 1 2: Tarefa normal 2
C6-02	Seleção da frequência da portadora	Selecciona a frequência da portadora (a definição de fábrica depende da capacidade do variador) <b>0: Baixo ruído, portadora baixa</b> 1: 2,0 kHz 2: 5,0 kHz 3: 8,0 kHz 4: 10,0 kHz 5: 12,5 kHz 6: 15,0 kHz F: Padrão programável
<b>Definições da velocidade</b>		
d1-01 a d1-16	Velocidades de referência multi-passo 1 a 16	Define as velocidades de referência multi-passo.
d1-17	Frequência de referência da regulação ponto a ponto	
<b>Controlo do binário (apenas disponível em CLV)</b>		
d5-01	Seleção do controlo do binário	<b>0: Controlo de velocidade</b> 1: Controlo binário
d5-06	Temporizador do interruptor de controlo de velocidade/binário	Define o atraso na entrada de um sinal de "alteração do controlo de velocidade/binário" (pela entrada digital) até o controlo ser alterado

Número do parâmetro	Nome	Descrição
<b>Definições do padrão V/f</b>		
E1-01	Definição da tensão de entrada	Esta definição é utilizada como valor de referência para as funções de protecção.
E1-04	Frequência de saída máxima (FMAX)	<p>Tensão de saída (V)</p> <p>VMAX (E1-05) (VBASE) (E1-13)</p> <p>VB (E1-08)</p> <p>VMIN (E1-10)</p> <p>FMIN (E1-09) FB (E1-07) FA (E1-06) FMAX (E1-04)</p> <p>Frequência (Hz)</p>
E1-05	Tensão de saída máx. (VMAX)	
E1-06	Frequência base (FA)	
E1-13	Tensão base (VBASE)	
<b>Definições dos dados do motor</b>		
E2-01	Corrente nominal do motor	Define os dados do motor.
E2-02	Patinagem nominal do motor	
E2-03	Corrente sem carga do motor	
E2-04	Número dos pólos do motor	
E2-09	Perdas mecânicas do motor	
E2-11	Potência de saída nominal do motor	
<b>Configuração da placa PG</b>		
F1-01	Constante PG	Define o número dos impulsos PG por revolução
F1-05	Rotação PG	<p><b>0: A fase A lidera com o comando de funcionamento directo</b></p> <p>1: A fase B lidera com o comando de funcionamento directo</p>
<b>Definições da E/S digital</b>		
H1-01 a H1-05	Terminal S3 para selecção da função S7	Consulte <a href="#">página 20, Selecções da função de entrada digital (H1-01 a H1-05)</a> para uma lista das selecções
H2-01 e H2-02	Selecção da função do terminal M1-M2 e M3-M4	Consulte <a href="#">página 20, Selecções da função de saída digital (H2-01 e H2-02)</a> para uma lista das selecções
<b>Definições da E/S analógica</b>		
H3-08	Selecção do nível do sinal de entrada A2 analógico	<p>Selecciona a entrada do nível de sinal na entrada analógica multifunções A2.</p> <p><b>0: 0 a +10 V (11 bits).</b></p> <p>1: -10 a +10 V</p> <p>2: 4 a 20 mA (entrada de 9 bits).</p> <p>Certifique-se de comutar o interruptor S1-2 para "V" antes de utilizar a entrada de tensão.</p>
H3-09	Selecção da função de entrada digital A2.	Selecciona a função da entrada analógica multifunções para o terminal A2.

Número do parâmetro	Nome	Descrição
H3-13	Comutação de terminal A1/A2	<p>Selecciona qual o terminal onde pode ser ligada a frequência de referência principal.</p> <p><b>0: Utilize a entrada analógica 1 no terminal A1 como frequência de referência principal.</b></p> <p>1: Utilize a entrada analógica 2 no terminal A2 como frequência de referência principal.</p>
H4-01	Selecção do monitor do terminal FM	Define o número do item de monitor a ser enviado (U1-□□) para o terminal FM/AM.
H4-04	Selecção do monitor do terminal AM	
<b>E/S do trem de impulsos</b>		
H6-01	Selecção da função da entrada do trem de impulsos	<p>Selecciona a função da entrada do trem de impulsos</p> <p><b>0: Frequência de referência</b></p> <p>1: Valor de realimentação do PID</p> <p>2: Valor alvo do PID</p>
H6-02	Escalonamento da entrada por trem de impulsos	Define o número de impulsos em Hz que é equivalente a 100% do item de entrada seleccionado em H6-01.
H6-06	Selecção do monitor do trem de impulsos	Selecciona o item de saída do monitor do trem de impulsos (U1-□□)
H6-07	Escalonamento do monitor de impulsos	Define o número de saídas de impulso em Hz quando o item do monitor é de 100%.
<b>Prevenção de bloqueio</b>		
L3-01	Selecção de prevenção contra bloqueio durante a aceleração (não disponível em CLV)	<p><b>0: Desactivado (Aceleração definida. Com uma carga pesada, o motor pode bloquear.)</b></p> <p>1: Activado (Aceleração parada quando o nível L3-02 é excedido. A aceleração inicia-se novamente durante a corrente cai abaixo do nível de prevenção de bloqueio).</p> <p>2: Modo de aceleração inteligente (utilizando o nível L3-02 como base, a aceleração é ajustada automaticamente. O tempo de aceleração definido é ignorado.)</p>
L3-04	Selecção de prevenção contra bloqueio durante a desaceleração	<p><b>0: Desactivado (Desaceleração definida. Se o tempo de desaceleração for demasiado curto, poderá ocorrer uma sobretensão bus DC.)</b></p> <p>1: Activado (a desaceleração é parada quando a tensão do bus DC excede o nível de prevenção de bloqueio. A desaceleração inicia-se novamente quando a tensão cai abaixo do nível de prevenção de bloqueio.)</p> <p>2: Modo de desaceleração inteligente (a taxa de desaceleração é ajustada automaticamente por forma que o variador possa desacelerar no mais curto intervalo de tempo. O tempo de desaceleração definido é ignorado.)</p> <p>3: Activado com a resistência de frenagem</p>
<b>Reposição de falha</b>		
L5-01	Número de tentativas de reinício automático	Define o número de tentativas de reinício automático. É reiniciado automaticamente após uma falha e executa uma pesquisa de velocidade na frequência de operação.
L5-02	Selecção da operação de reinício automático	<p>Define se é activado um relé de falha durante o reinício devido a falha.</p> <p><b>0: Sem saída (o relé de falha não é activado.)</b></p> <p>1: Saída (o relé de falha é activado.)</p>

Número do parâmetro	Nome	Descrição
<b>Limite do binário (apenas em OLV e CLV)</b>		
L7-01	Limite do binário da transmissão directa	Define o valor do limite do binário como percentagem do binário nominal do motor. Podem ser definidas quatro regiões individualmente. 
L7-02	Limite do binário da transmissão inversa	
L7-03	Limite do binário regenerativo directo	
L7-04	Limite do binário regenerativo inverso	
<b>Dados do monitor</b>		
U1-01	Frequência de referência em Hz/rpm	
U1-02	Frequência de saída em Hz/rpm	
U1-03	Corrente de saída em A	
U1-06	Tensão de saída em VAC	
U1-07	Tensão no bus DC em VDC	
U1-08	Potência de saída em kW	
U1-09	Binário de referência	
U1-10	Estado do terminal de entrada	Apresenta o estado ON/OFF da entrada U1-10 =
U1-11	Estado do terminal de saída	Apresenta o estado ON/OFF da saída U1-11 =
U1-12	Estado da operação	Estado de funcionamento do variador. U1-12 =
U1-13	Tempo de operação cumulativo em horas	
U1-21	Entrada ASR	
U1-22	Saída ASR	
U1-34	Parâmetro de falha OPE	
U1-40	Tempo de operação do ventilador de arrefecimento em horas	

Número do parâmetro	Nome	Descrição
<b>Dados de rastreio da falha</b>		
U2-01	Falha de corrente	
U2-02	Última falha	
U2-03	Frequência de referência na falha	
U2-04	Frequência de saída na falha	
U2-05	Corrente de saída na falha	
U2-07	Referência da tensão de saída na falha	
U2-08	Tensão do bus DC na falha	
U2-09	Potência de saída na falha	
U2-11	Estado do terminal de entrada na falha	
U2-12	Estado do terminal de saída na falha	
U2-13	Estado da operação na falha	
U2-14	Tempo de operação cumulativo na falha	
<b>Dados de histórico de falhas</b>		
U3-01 a U3-04	Última falha a quarta última falha	
U3-05 a U3-08	Tempo de operação cumulativo na falha 1 a 4	
U3-09 a U3-14	Quinta falha a décima última falha	
U3-15 a U3-20	Tempo acumulado da quinta à décima falha	
* As falhas seguintes não são registadas no registo de erro: CPF00, 01, 02, 03, UV1 e UV2.		
<b>Seleções da função de entrada digital (H1-01 a H1-05)</b>		
3	Velocidade de referência multi-passo 1	
4	Velocidade de referência multi-passo 2	
5	Velocidade de referência multi-passo 3	
6	Comando da frequência de regulação ponto a ponto (prioridade mais elevada que a velocidade de referência multi-passo)	
7	Tempo de aceler./desacel. 1	
F	Não utilizado (definido quando não é utilizado um terminal)	
14	Reposição da falha (reposto quando ligado)	
19	Desactivação do controlo do PI	
20 a 2F	Falha externa; Modo de entrada: Contacto NA/contacto NF, Modo de detecção: Normal/durante o funcionamento	
71	Alteração do controlo de velocidade/binário (ON: Controlo binário)	
77	Interruptor do ganho do controlo de velocidade (ASR) (ON: C5-03)	
<b>Seleções da função de saída digital (H2-01 e H2-02)</b>		
0	Durante a execução 1 (ON: o comando run está ON ou está a ser efectuada saída de tensão)	
6	Operação do variador preparada; PRONTA: Após inicialização ou sem falhas	
F	Não utilizado. (Definido quando não é utilizado o terminal.)	
10	Falha menor (Alarme) (ON: Alarme apresentado)	
1A	Durante o funcionamento inverso (ON: Durante o funcionamento inverso)	
1F	Pré-alarme de sobrecarga do motor (OL1, incluindo OH3) (ON: 90% ou mais do nível de detecção)	
30	Durante o limite do binário (limite de corrente) (ON: Durante o limite do binário)	
32	Activado se o ASR está a funcionar no limite do binário. A saída do ASR torna-se o binário de referência, o motor está a rodar no limite de velocidade.	

# Resolução de problemas

## ◆ Alarmes e falhas gerais

As falhas e alarmes indicam condições do variador/aplicação fora do normal.

Um alarme não desliga necessariamente o variador, mas é apresentada uma mensagem no teclado numérico (por exemplo um código de alarme intermitente) e pode ser gerada uma saída de alarme nas saídas multifunções (H2-01 e H2-02), se programado. Um alarme desaparece automaticamente se a condição que o gerou já não se verifique.

Uma falha desliga imediatamente a saída do variador, é apresentada uma mensagem no teclado numérico e a saída de falha é comutada. A falha tem de ser reposta manualmente após remoção da causa que a originou e do sinal RUN.

A tabela seguinte mostra uma lista de falhas e alarmes juntamente com as respectivas acções correctivas.

Ecrã	Alarme	Falha	Significado	Acções correctivas
BUS Err com opc	○		Alarme de comunicações da placa opcional Após ter sido estabelecida a comunicação inicial, a ligação foi perdida.	Verifique as ligações e todas as configurações de utilizador no software.
CF Fora de controlo		○	Falha de controlo Foi atingido o limite de binário de forma contínua durante 3 segundos ou mais durante uma paragem de desaceleração no controlo vectorial em malha aberta	Verifique os parâmetros do motor
CPF00 COM-ERR(OP&INV)		○	Falha de comunicação da consola digital 1/2 • Falha de comunicação entre a consola e o variador • Falha na RAM externa da CPU	<ul style="list-style-type: none"> <li>Desligue a consola digital e ligue-a novamente.</li> <li>Efectue um ciclo de funcionamento da fonte de alimentação do variador.</li> <li>Substitua o variador.</li> </ul>
CPF01 COM-ERR(OP&INV)				
CPF02 Erro circuito BB		○	Falha CPF02 Erro do circuito base block	<ul style="list-style-type: none"> <li>Reponha os valores de fábrica.</li> <li>Efectue um ciclo de funcionamento da fonte de alimentação do variador.</li> <li>Substitua o variador.</li> </ul>
CPF03 Erro da EEPROM		○	CPF03 Erro da EEPROM	
CPF04 Err A/D interno		○	CPF04 Falha no conversor A/D interno da CPU	
DEV Divergência de velocidade		○	F1-04 = 0, 1 ou 2 e A1-02 = 1 ou 3 A divergência de velocidade foi superior à definição de F1-10 durante mais tempo que a definição em F1-11.	<ul style="list-style-type: none"> <li>Reduza a carga.</li> <li>Ajuste os tempos de aceleração e desaceleração</li> <li>Verifique o sistema mecânico</li> <li>Verifique as definições de F1-10 e F1-11</li> <li>Verifique a sequência e se o travão está aberto quando o variador começa a aumentar a velocidade.</li> </ul>
	○		F1-04 = 3 e A1-02 = 1 ou 3 A divergência de velocidade foi superior à definição de F1-10 durante mais tempo que a definição em F1-11.	
EF Falha externa	○		Entrada simultânea dos comandos de funcionamento directo/inverso. Os comandos de funcionamento directo e inverso são introduzidos simultaneamente durante 500ms ou mais. Este alarme pára o motor.	Verifique a lógica de sequência externa, por forma a ser activada apenas uma entrada de cada vez.
EF0 Falha externa opc.		○	Entrada de falha externa da placa de opção de comunicações	<ul style="list-style-type: none"> <li>Verifique se existe uma condição de falha externa.</li> <li>Verifique os parâmetros.</li> <li>Verifique os sinais de comunicação</li> </ul>
EFx Falha ext Sx	○	○	Falha externa no terminal Sx (x refere-se aos terminais S3 a S7)	Elimine a causa da condição de falha externa.
Func ext activo Reposição impossível	○		Detectado após uma falha quando foi introduzido um comando RESET enquanto o comando RUN ainda está activo.	Remova o sinal de RUN e reponha o erro.
GF Falha da terra		○	Falha da terra A corrente de terra na saída do variador excedeu 50% da corrente de saída nominal do variador e L8-09=1 (activo).	<ul style="list-style-type: none"> <li>Remova o motor e coloque o variador em funcionamento sem motor.</li> <li>Verifique a existência de um curto-circuito entre a fase e a terra.</li> <li>Verifique a corrente de saída com um medidor de grampos para verificar a leitura DCCT.</li> <li>Verifique a sequência de controlo por sinais do contactor do motor errados.</li> </ul>

Ecrã	Alarme	Falha	Significado	Ações correctivas
OC Sobrecorrente		○	Sobrecorrente A corrente de saída do variador excedeu o nível de detecção da sobrecorrente.	<ul style="list-style-type: none"> <li>Remova o motor e coloque o variador em funcionamento sem motor.</li> <li>Verifique a existência de um curto-circuito fase-a-fase no motor.</li> <li>Verifique os tempos de aceler./desacel. (C1-□□).</li> <li>Verifique a existência de um curto-circuito fase-a-fase na saída do variador.</li> </ul>
OH Sobreaquecimento do dissipador		○	Sobreaquecimento do dissipador L8-03 = 0,1 ou 2 e a temperatura da ventilador de arrefecimento do variador excedeu o valor L8-02. A ventoinha de arrefecimento do variador parou	<ul style="list-style-type: none"> <li>Verifique se há acumulação de poeiras nos ventiladores ou no dissipador.</li> <li>Reduza a temperatura ambiente em torno da transmissão.</li> <li>Substitua a(s) ventoinha(s) de arrefecimento.</li> </ul>
		○	L8-03 = 3 ou 4 e a temperatura da ventilador de arrefecimento do variador excedeu o valor L8-02.	
OH1 Temp. máx. do dissipador		○	Sobreaquecimento do dissipador A temperatura do dissipador do variador excedeu os 105°C. A ventoinha de arrefecimento do variador parou	<ul style="list-style-type: none"> <li>Verifique se há acumulação de poeiras nos ventiladores ou no dissipador.</li> <li>Reduza a temperatura ambiente em torno da transmissão.</li> <li>Substitua a(s) ventoinha(s) de arrefecimento.</li> </ul>
		○		
OL1 Sobrecarga do motor		○	Sobrecarga do motor Detectado quando o L1-01 é configurado para 1, 2 ou 3 e o valor I <sub>pt</sub> do variador excedeu a curva de sobrecarga do motor. A curva de sobrecarga é regulável utilizando o parâmetro E2-01 (corrente nominal do motor), L1-01 (selecção da protecção do motor) e L2-02 (constante do tempo de protecção do motor)	<ul style="list-style-type: none"> <li>Verifique novamente o tempo do ciclo e o tamanho da carga, assim como os tempos de aceler./desacel. (C1-□□).</li> <li>Verifique as características de V/f (E1-□□).</li> <li>Verifique a configuração da definição da corrente nominal do motor (E2-01).</li> </ul>
OL2 Sobrecarga inv.		○	Sobrecarga do variador A corrente de saída do variador excedeu a capacidade de sobrecarga do variador.	<ul style="list-style-type: none"> <li>Verifique novamente o tempo do ciclo e o tamanho da carga, assim como os tempos de aceler./desacel. (C1-□□).</li> <li>Verifique as características de V/f (E1-□□).</li> <li>Verifique a corrente nominal do variador corresponde com a corrente nominal do motor.</li> </ul>
OS Det. sobrevelocidade		○	F1-03 = 0, 1 ou 2 e A1-02 = 1 ou 3 A realimentação de velocidade do motor (U1-05) excedeu a definição em F1-08 por um tempo superior ao da definição de F1-09	<ul style="list-style-type: none"> <li>Ajuste as definições do ASR no grupo de parâmetros C5</li> <li>Verifique o circuito de referência e o ganho de referência.</li> <li>Verifique as definições em F1-08 e F1-09</li> </ul>
		○	F1-03 = 3 e A1-02 = 1 ou 3 A realimentação de velocidade do motor (U1-05) excedeu a definição em F1-08 por um tempo superior ao da definição de F1-09	
OV Sobretensão do bus DC	○ (apenas em condição de paragem)	○	A tensão do bus DC excedeu o nível de detecção de sobretensão. Os níveis de detecção predefinidos são: Classe de 200 V: 410 VDC Classe de 400 V: 820 VDC	<ul style="list-style-type: none"> <li>Aumente o tempo de desaceleração (C1-02/04) ou ligue uma opção de travagem.</li> <li>Verifique a fonte de alimentação e diminua a tensão para valores de acordo com as especificações do variador.</li> <li>Verifique o relé/resistência de frenagem.</li> </ul>
PF Perda de fase na entrada		○	Perda de fase na entrada Ondulação da tensão no bus DC demasiado elevada Detectável apenas quando L8-05=1 (activado)	<ul style="list-style-type: none"> <li>Aperte os parafusos do terminal de entrada</li> <li>Verifique a tensão da fonte de alimentação</li> </ul>
PGO PG aberto		○	Desligação do PG Detectado quando F1-02 = 0, 1 ou 2 e A1-02 = 1 ou 3. Detectado quando não foram recebidos impulsos do PG (codificador) durante um tempo superior ao definição em F1-14.	<ul style="list-style-type: none"> <li>Resolva a ligação partida/desligada.</li> <li>Forneça energia ao PG da forma apropriada.</li> <li>Verifique a sequência e se o travão está aberto quando o variador começa a aumentar a velocidade.</li> </ul>
		○	Desligação do PG Detectado quando F1-02 = 3 e A1-02 = 1 ou 3. Não foram recebidos impulsos do PG (codificador) durante um tempo superior ao definição em F1-14.	

Ecrã	Alarme	Falha	Significado	Acções correctivas
PUF Aberto o fusível do bus DC		○	Aberto o fusível do bus DC O fusível do circuito principal está rebentado. Aviso: Não foram recebidos impulsos do PG (codificador) durante um tempo superior ao definição em F1-14.	<ul style="list-style-type: none"> <li>Verifique o motor e os cabos do motor por curto-circuitos ou falhas no isolamento (fase a fase).</li> <li>Substitua o variador após corrigir a falha.</li> </ul>
RR Transíst. DynBrk		○	Transístor de frenagem dinâmico O transístor de travagem dinâmico incorporado falhou	<ul style="list-style-type: none"> <li>Efectue um ciclo de alimentação ao variador.</li> <li>Substitua o variador.</li> </ul>
UV1 Subtensão do bus DC	○ (apenas em condição de paragem)	○	A tensão do bus DC está abaixo do nível de detecção de subtensão. (L2-05). As definições predefinidas são: Classe de 200V: 190 VDC Classe de 400 V: 380 VDC	<ul style="list-style-type: none"> <li>Verifique a tensão de entrada.</li> <li>Verifique as ligações dos terminais de entrada.</li> <li>Verifique a tensão de entrada e as ligações dos terminais de entrada.</li> <li>Expanda as definições em C1-01/03</li> </ul>
UV2 Subtensão CTL FA		○	Falha de operação MC do circuito principal Sem resposta MC durante a operação do variador.	Substitua o variador.
			Subtensão da fonte de alimentação de controlo Subtensão do circuito de controlo quando o variador estava em execução.	<ul style="list-style-type: none"> <li>Remova todas as ligações aos terminais de controlo e efectue um ciclo de alimentação no variador.</li> <li>Substitua o variador.</li> </ul>

## ◆ Erros de programação do operador

Um erro de programação do operador (OPE) ocorre quando dois ou mais parâmetros relacionados entre si são definidos de forma inadequada ou a definição de um parâmetro é incorrecta. O variador não funciona até a definição do parâmetro ser definida correctamente; no entanto, não irão ocorrer saídas de alarmes ou de falha adicionais. Se ocorrer um OPE, altere o parâmetro relevante verificando a causa apresentada na tabela abaixo. Quando for apresentado um erro OPE, prima a tecla ENTER para ver U1-34 (detectado um OPE). Este monitor apresenta o parâmetro que causou o erro OPE.

Ecrã	Significado	Acções correctivas
OPE01 Seleção de kVA	Erro na definição de kVA do variador	Introduza a definição de kVA correcta em o2-04.
OPE02 Limite	A definição do parâmetro está fora do intervalo	Verifique as definições do parâmetro.
OPE03 Terminal	Um dos seguintes erros foi cometido nas definições da entrada multifunções (H1-01 a H1-05): <ul style="list-style-type: none"> <li>As funções foram seleccionadas em duplicado.</li> <li>Os comandos UP/DOWN (10 e 11) não foram seleccionados simultaneamente.</li> <li>Os comandos UP/DOWN (10 e 11) e a retenção da rampa de aceler./desaceler. (A) foram seleccionados ao mesmo tempo.</li> <li>Mais de uma entrada da pesquisa de velocidade (61, 62, 64) foram definidas simultaneamente.</li> <li>Foram seleccionados, ao mesmo tempo, o base block externo NA (8) e o base block externo NF (9).</li> <li>Os comandos UP/DOWN (10 e 11) foram seleccionados enquanto o controlo do PI estava activado.</li> <li>O comando de paragem de emergência NA (15) e NF(17) são definidos simultaneamente.</li> <li>O PID está activado e o comando UP e/ou DOWN (10/11) estão definidos.</li> <li>O comando HSB (68) e KEB (65/66) foram definidos simultaneamente.</li> </ul>	Verifique as definições de parâmetro em H1-□□
OPE05 Seleção de sequência	Erro na selecção do comando de referência/RUN A selecção da fonte de referência b1-01 e/ou a selecção da fonte do RUN b1-02 estão definidas para 3 (placa de opção) mas não foi instalada uma placa de opção.	<ul style="list-style-type: none"> <li>Verifique que a placa está instalada. Remova a fonte de alimentação e instale novamente a placa de opção</li> <li>Volte a verificar a definição de b1-01 e b1-02</li> </ul>
OPE06 Falta da opç PG	Erro de selecção do método de controlo Um dos métodos de controlo que necessitam de realimentação do PG foi seleccionado (A1-02 = 1 ou 3), mas não está instalada uma placa de opção PG.	Verifique a selecção do método de controlo no parâmetro A1-02 e/ou a instalação da placa de opção PG.



Ecrã	Significado	Acções correctivas
OPE08 Seleção da constante	Erro na selecção da função Foi efectuada uma configuração aplicável ao método de controlo actual. Exemplo: Uma função utilizada apenas no controlo vectorial em malha aberta foi seleccionada para o controlo V/f.	Verifique o método de controlo e a função.
OPE010 Definição parâm. V/f	Erro na definição do parâmetro V/f	Verifique os parâmetros (E1-□□). Um valor de frequência/tensão pode ser definido para um valor superior à frequência/tensão máxima.

## ◆ Falhas do ajuste automático

As falhas do ajuste automático são mostradas abaixo. Quando são detectadas as falhas seguintes a falha é apresentada na consola digital e o motor pára. Não serão geradas saídas de falha ou de alarme.

Ecrã	Significado	Acções correctivas
Er-01 Falha	Falha nos dados do motor	<ul style="list-style-type: none"> <li>• Verifique os dados de entrada.</li> <li>• Verifique a capacidade do motor e do variador.</li> <li>• Verifique a definição de corrente nominal do motor e a definição de corrente sem carga.</li> </ul>
Er-02 Falha menor	Alarme	<ul style="list-style-type: none"> <li>• Verifique os dados de entrada.</li> <li>• Verifique a ligação e a máquina.</li> <li>• Verifique a carga.</li> </ul>
Er-03 Tecla STOP	Entrada da tecla STOP	-
Er-04 Resistência	Falha da resistência linha-a-linha O resultado do ajuste automático está fora do intervalo de definição do parâmetro.	<ul style="list-style-type: none"> <li>• Verifique os dados de entrada.</li> <li>• Verifique a ligação do motor.</li> <li>• Se o motor estiver ligado à máquina, desligue-o.</li> <li>• Se a definição do T1-03 for superior à tensão da fonte de alimentação de entrada do variador (E1-01), altere os dados de entrada.</li> </ul>
Er-05 Corrente sem carga	Falha da corrente sem carga O resultado do ajuste automático está fora do intervalo de definição do parâmetro.	
Er-08 Patinagem nominal	Falha da patinagem nominal O resultado do ajuste automático está fora do intervalo de definição do parâmetro.	
Er-09 Acelerar	Falha de aceleração (apenas ajuste automático rotativo) O motor não acelerou no tempo especificado. (C1-10+10seg.)	<ul style="list-style-type: none"> <li>• Aumente o C1-01 (tempo de aceleração)</li> <li>• Aumente L7-01 e L7-02 (limites do binário)</li> <li>• Se o motor estiver ligado à máquina, desligue-o.</li> </ul>
Er-11 Velocidade do motor	Falha de velocidade do motor (apenas ajuste automático rotativo) O binário de referência excedeu os 100% durante a aceleração. Detectado apenas quando A1-02 = 2 ou 3 (modos de controlo vectorial).	<ul style="list-style-type: none"> <li>• Se o motor estiver ligado à máquina, desligue-o.</li> <li>• Aumente C1-01</li> <li>• Verifique os dados de entrada (em particular o número de impulsos PG e o número de pólos do motor)</li> </ul>
Er-12 Circuito det. corrente	Falha de detecção da corrente <ul style="list-style-type: none"> <li>• A corrente excedeu a corrente nominal do motor.</li> <li>• U/T1, V/T2 e W/T3 possuem falha em malha aberta.</li> </ul>	Verifique as ligações do variador e a montagem.
Er-13 Falha de indução de fuga	Falha de indução de fuga O resultado do ajuste automático está fora do intervalo de definição do parâmetro.	Verifique a ligação do motor.
Fim-1 Definição excesso V/f	Alarme de definição da corrente nominal Apresentado após a conclusão do ajuste automático Durante o ajuste automático, o valor medido da corrente nominal do motor (E2-01) foi superior ao valor definido.	Verifique o valor da corrente nominal do motor.
Fim-2 Saturação	Alarme de saturação no núcleo do motor (apenas para ajuste automático rotativo)	<ul style="list-style-type: none"> <li>• Verifique os dados de entrada</li> <li>• Verifique a ligação do motor.</li> <li>• Se o motor estiver ligado à máquina, desligue-o.</li> </ul>
Fim-3 Alarme FLA nominal	Alarme de definição da corrente nominal Durante o ajuste automático, o valor medido da corrente nominal do motor (E2-01) foi superior ao valor definido.	Verifique o valor da corrente nominal do motor

# Инструкция по быстрому запуску F7Z

## Содержание

<b>Предупреждения .....</b>	<b>RU-2</b>
◆ Правила безопасности и указания по эксплуатации .....	RU-3
◆ Электромагнитная совместимость (ЭМС) .....	RU-4
<b>Монтаж .....</b>	<b>RU-6</b>
◆ Механический монтаж .....	RU-6
◆ Подключение электрических цепей .....	RU-8
◆ Подключение входных силовых цепей .....	RU-12
<b>Управление с клавиатуры .....</b>	<b>RU-14</b>
◆ Цифровая панель управления (опция) .....	RU-14
<b>Включение питания и настройка основных параметров .....</b>	<b>RU-15</b>
◆ Процедура запуска .....	RU-15
◆ Действия перед включением питания .....	RU-16
◆ Состояние дисплея после включения питания .....	RU-16
◆ Автонастройка .....	RU-16
<b>Программируемые параметры .....</b>	<b>RU-18</b>
<b>Поиск и устранение неисправностей .....</b>	<b>RU-21</b>
◆ Сигнализация ошибок и предупреждений общего характера .....	RU-21
◆ Ошибки программирования .....	RU-23
◆ Ошибки автонастройки .....	RU-24

# Предупреждения



## Внимание

**Запрещается подсоединять или отсоединять кабели, а также проводить сигнальные тесты при включенном питании.**

Конденсатор шины постоянного тока инвертора Varispeed F7 остается заряженным даже после отключения питания. Во избежание поражения электрическим током, прежде чем приступать к техническому обслуживанию, отсоедините преобразователь частоты от сети и подождите не менее 5 минут после того, как погаснут все светодиоды.

Не проводите испытания электрической прочности изоляции ни для одной из частей инвертора Varispeed. Инвертор содержит полупроводниковые элементы, не рассчитанные на такие высокие напряжения.

Не снимайте цифровую панель управления, когда преобразователь частоты подключен к сети питания. Также не касайтесь печатных плат, когда на инвертор подано напряжение питания.

Ни в коем случае не подключайте ко входу или выходу инвертора стандартные LC/RC-фильтры подавления помех, конденсаторы или устройства защиты от превышения напряжения.

Во избежание нежелательной индикации перегрузки по току и прочих ошибок сигнальные контакты любого контактора или переключателя, установленного между инвертором и двигателем, должны быть включены в схему управления инвертором (например, в схему управления блокированием выхода).

**Чрезвычайно важно!**

Перед подключением и эксплуатацией инвертора следует внимательно прочитать настоящее руководство. Необходимо соблюдать все правила безопасности и указания по эксплуатации.

Инвертор должен использоваться с соответствующими сетевыми фильтрами и с соблюдением указаний по монтажу, содержащихся в настоящем руководстве. Все крышки должны быть установлены на свои места, все клеммы должны быть закрыты. Только в этом случае обеспечивается надлежащая защита. Не подсоединяйте и не используйте какое-либо оборудование, имеющее явные признаки повреждения или отсутствия деталей. За все случаи получения травм персоналом или случаи повреждения оборудования, причиной которых явилось несоблюдение предупреждений, содержащихся в настоящем руководстве, несет ответственность организация, эксплуатирующая оборудование.

## ◆ Правила безопасности и указания по эксплуатации

### ■ Общие сведения

Прежде чем приступать к монтажу и работе с инвертором, внимательно ознакомьтесь с настоящими правилами безопасности и указаниями по эксплуатации. Также прочитайте все предупреждающие надписи на инверторе и позаботьтесь о том, чтобы они не были повреждены или удалены.

Некоторые находящиеся под напряжением или нагревающиеся элементы и части инвертора могут быть доступны во время работы. В случае неправильного монтажа или нарушения правил эксплуатации работа при снятых частях корпуса, снятой цифровой панели управления или снятых крышках клемм может стать причиной тяжелой травмы или материального ущерба. Также следует иметь в виду, что преобразователи частоты (инверторы) управляют вращающимися частями механического оборудования, что связано с дополнительными опасностями.

Необходимо следовать указаниям, приведенным в настоящем руководстве. Монтаж, эксплуатация и техническое обслуживание могут проводиться только квалифицированным персоналом. В настоящих правилах безопасности под квалифицированным персоналом понимаются лица, обладающие навыками монтажа, ввода в эксплуатацию, эксплуатации и технического обслуживания преобразователей частоты и имеющие соответствующую квалификацию для выполнения таких работ. Безопасная эксплуатация настоящих устройств возможна только в случае их надлежащего использования и только для целей, для которых они предназначены.

На конденсаторах шины постоянного тока может сохраняться остаточное напряжение в течение 5 минут после отключения инвертора от сети. Поэтому необходимо подождать указанное время, прежде чем открывать крышки. На всех клеммах силовых цепей могут еще сохраняться опасные напряжения.

Доступ к инверторам детей и прочих лиц, не имеющих специального допуска, должен быть запрещен. Настоящие правила безопасности и указания по эксплуатации должны быть легко доступны и выданы в надлежащем количестве всем лицам, имеющим, в той или иной степени, доступ к инверторам.

### ■ Надлежащее использование

Преобразователи частоты (инверторы) предназначены для монтажа в электрических системах или механическом оборудовании.

Монтаж инверторов в оборудовании и системах должен соответствовать следующим стандартам, указанным в Директиве по низковольтному оборудованию:

EN 50178, 1997-10. Электронное оборудование, используемое в силовых электрических системах

EN 60204-1, 1997-12. Безопасность машин. Электрооборудование машин.

Часть 1: Общие требования (IEC 60204-1:1997)/

Замечание: включает список опечаток (сентябрь 1998).

EN 61010-1, A2, 1995. Оборудование информационных технологий. Требования к безопасности. (IEC 950, 1991 + A1, 1992 + A2, 1993 + A3, 1995 + A4, 1996, с изменениями)

При использовании сетевых фильтров, указанных в настоящем руководстве, и при соблюдении соответствующих указаний по монтажу, на изделие наносится маркировка CE согласно стандарту EN 50178.

### ■ Транспортировка и хранение

Должны соблюдаться указания по транспортировке, хранению и надлежащему обращению с изделием в соответствии с техническими характеристиками.

### ■ Монтаж

Производите монтаж и охлаждение инверторов в соответствии с документацией. Охлаждающий воздух должен циркулировать в указанном направлении. В связи с этим инвертор при работе должен занимать только определенное положение (например, вертикальное). Предусмотрите все указанные зазоры и воздушные промежутки. Защищайте инвертор от недопустимых нагрузок. Не допускайте изгибания частей инвертора и изменения изолирующих (защитных) промежутков. Во избежание повреждения инвертора в результате действия статического электричества не прикасайтесь к каким-либо электронным элементам или контактам.

## ■ Подключение электрических цепей

Любые работы с оборудованием, находящимся под напряжением, должны проводиться с соблюдением правил техники безопасности, действующих в стране пользователя. Электрический монтаж должен производиться в соответствии с надлежащими нормами и правилами. В частности, для обеспечения электромагнитной совместимости (ЭМС) необходимо выполнять указания по монтажу, касающиеся экранирования, заземления, подключения фильтров и прокладки кабелей. Это также относится и к оборудованию с маркировкой CE. За соблюдение требований ЭМС отвечает изготовитель системы или установки.

Если совместно с преобразователями частоты используются автоматические выключатели, срабатывающие при повышенном токе утечки, проконсультируйтесь с поставщиком или представителем Omron Yaskawa Motion Control.

В некоторых системах для соблюдения соответствующих норм и правил техники безопасности может потребоваться применение дополнительных средств контроля и защиты. Конструкция преобразователя частоты при этом не должна подвергаться изменению.

## ■ Примечания

Преобразователи частоты Varispeed F7 имеют сертификаты CE, UL и c-UL

---

## ◆ Электромагнитная совместимость (ЭМС)

### ■ Введение

Настоящее руководство было разработано с целью оказания помощи в проектировании и монтаже электрических распределительных устройств производителям систем, использующим преобразователи частоты OMRON YASKAWA Motion Control (OYMC). В нем также описаны меры по обеспечению соблюдения Директивы по ЭМС. Таким образом, необходимо соблюдать указания по монтажу и подключению электрических цепей, содержащиеся в настоящем руководстве.

Наши изделия прошли испытания в аккредитованных организациях с использованием перечисленных ниже стандартов.

Стандарт на продукцию: EN 61800-3:1996  
EN 61800-3; A11:2000

### ■ Меры по обеспечению соответствия преобразователей частоты OYMC Директиве по ЭМС.

Преобразователи частоты OYMC не обязательно устанавливать в шкаф.

Предоставить подробные указания для всех возможных способов монтажа затруднительно. Поэтому настоящее руководство содержит только общие указания.

Любое электрооборудование является источником радиоизлучений и сетевых помех с различными частотами. Эти помехи проникают в окружающее оборудование по кабелям, играющим роль антенн.

Подключение единицы электрооборудования (например, привода) к питающей сети без применения сетевого фильтра может привести к проникновению в электросеть высокочастотных или низкочастотных помех.

Основными мерами по обеспечению электромагнитной совместимости являются развязка цепей управления и элементов силовых цепей, надлежащее заземление и экранирование кабелей.

Чтобы обеспечить низкое сопротивление цепи заземления для высокочастотных помех, необходима большая площадь электрического контакта. Поэтому для цепей заземления вместо проводов рекомендуется использовать плоские проводники.

Кроме того, должен быть обеспечен электрический контакт между экранами кабелей и специальными заземляющими скобами (зажимами).

## ■ Прокладка кабелей

Меры противодействия сетевым помехам:

Сетевой фильтр и преобразователь частоты должны монтироваться на одной и той же металлической панели. Они должны устанавливаться как можно ближе друг к другу и соединяться кабелями по возможности меньшей длины.

Экран силового кабеля должен быть хорошо заземлен. Подключаемые к двигателю кабели длиной до 50 м должны быть экранированными. Выполняя заземление, добивайтесь того, чтобы площадь электрического контакта вывода проводника с клеммой заземления (например, металлической пластиной) была максимальной.

Экранированный кабель:

- Используйте кабель с экранирующей оплеткой.
- Площадь электрического контакта экрана с заземляющей поверхностью должна быть как можно большей. Рекомендуется заземлять экран кабеля путем присоединения его к пластине заземления с помощью металлических скоб (см. рисунок ниже).

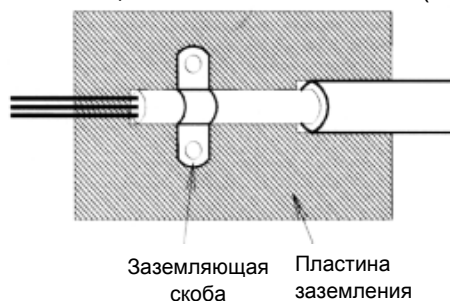


Рис. 1 Заземление экрана кабеля с помощью металлических скоб

Заземляющие металлические поверхности должны обладать высокой электропроводностью. Краска или любое другое покрытие с этих поверхностей должно быть удалено.

- Заземляйте экраны кабелей с обеих сторон.
- Заземляйте электродвигатель.

## ◆ Механический монтаж

### ■ Извлечение инвертора из упаковки

После извлечения инвертора из упаковки выполните проверку согласно следующей таблице.

Критерии проверки	Способ проверки
Соответствие полученной модели инвертора заказу.	Проверьте номер модели, указанный в паспортной табличке на боковой стенке инвертора.
Отсутствие каких-либо повреждений инвертора.	Осмотрите инвертор на предмет наличия каких-либо царапин или иных повреждений, возникших в процессе доставки.
Ослабление затяжки винтов и прочих элементов крепежа.	Проверьте затяжку с помощью отвертки или других инструментов.

Если какой-либо из указанных выше критериев не соответствует норме, немедленно свяжитесь с поставщиком инвертора или с региональным представителем Omron Yaskawa Motion Control.

### ■ Выбор места для монтажа

Сверху и снизу инверторов в исполнении NEMA 1/IP20 крепятся защитные крышки. Обязательно снимите верхнюю крышку, прежде чем приступать к работе с инвертором класса 200 или 400 В мощностью 18,5 кВт или меньше, установленном внутри шкафа.

При выборе места для установки инвертора руководствуйтесь следующими правилами:

- Место установки инвертора должно быть чистым, без масляного (нефтяного) тумана и пыли. Инвертор может быть установлен в полностью закрытый шкаф, обеспечивающий полную защиту от взвешенной пыли.
- При монтаже и эксплуатации инвертора должны приниматься специальные меры защиты от попадания в него металлической пыли, масла, воды и прочих посторонних веществ.
- Не устанавливайте инвертор на основание из горючего материала, например, на деревянную панель.
- В месте установки инвертора должны отсутствовать радиоактивные и горючие вещества.
- В месте установки инвертора должны отсутствовать вредные газы и жидкости.
- В месте установки инвертора должны отсутствовать чрезмерные вибрации.
- В месте установки инвертора должны отсутствовать хлориды.
- Инвертор не должен подвергаться воздействию прямых солнечных лучей.

## ■ Ориентация в пространстве

Для эффективного охлаждения инвертор должен быть установлен в вертикальном положении. Чтобы обеспечить надлежащее теплорассеяние, предусмотрите при монтаже инвертора указанные ниже зазоры и воздушные промежутки.

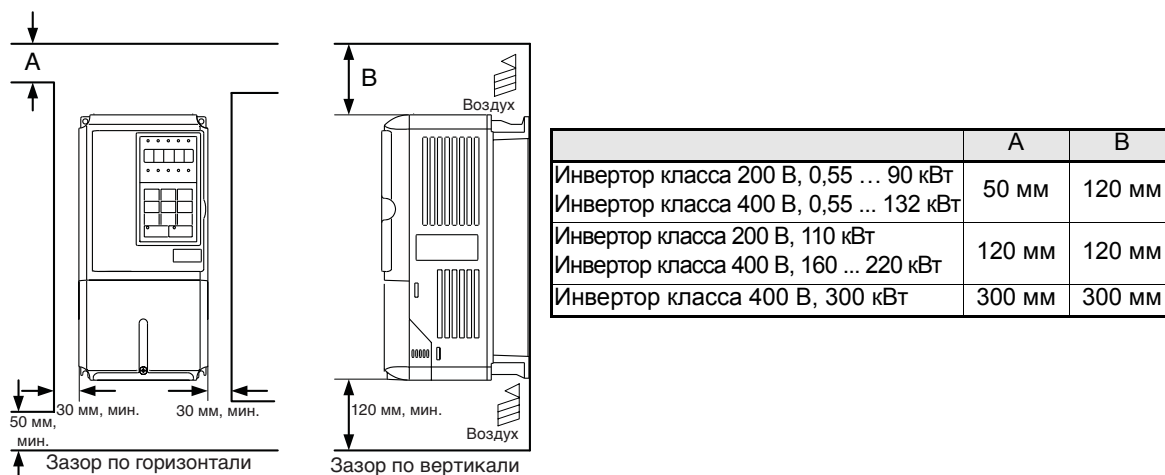


Рис. 2 Зазоры и воздушные промежутки при монтаже



**ВАЖНО**

1. Для инверторов в исполнении IP00, IP20 и NEMA 1 требуются одинаковые зазоры по горизонтали и вертикали.
2. После установки инвертора мощностью 18,5 кВт или менее в панель (шкаф) обязательно снимите верхнюю защитную крышку.  
При установке инвертора мощностью 22 кВт и более в панель (шкаф) предусмотрите достаточное пространство для болтов подвески и кабелей силовых цепей.

## ■ Монтаж инверторов и ЭМС-фильтров

Для выполнения требований ЭМС соблюдайте следующие правила:

- Используйте сетевой фильтр.
- Для подключения двигателя используйте экранированные кабели.
- Инвертор и фильтр монтируйте на заземленную токопроводящую пластину.
- Для обеспечения минимально возможного импеданса цепи заземления перед монтажом удалите всю краску и грязь.

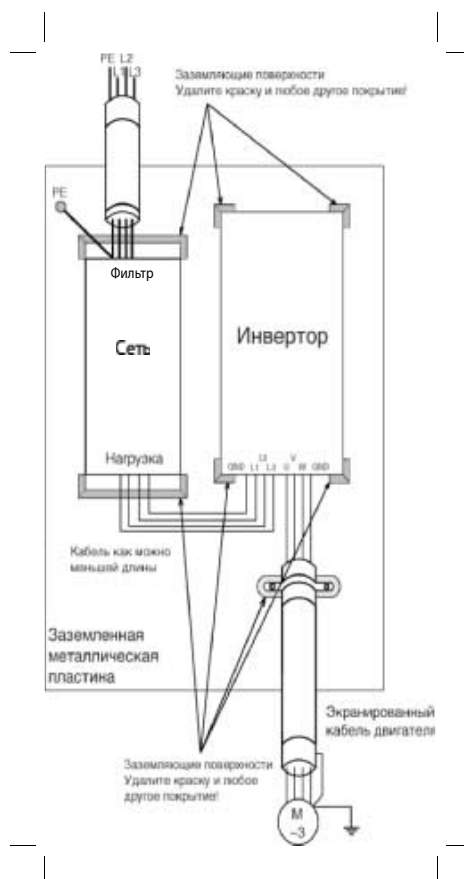


Рис. 3 Монтаж ЭМС-фильтра



## ◆ Подключение электрических цепей

### ■ Подключение инвертора

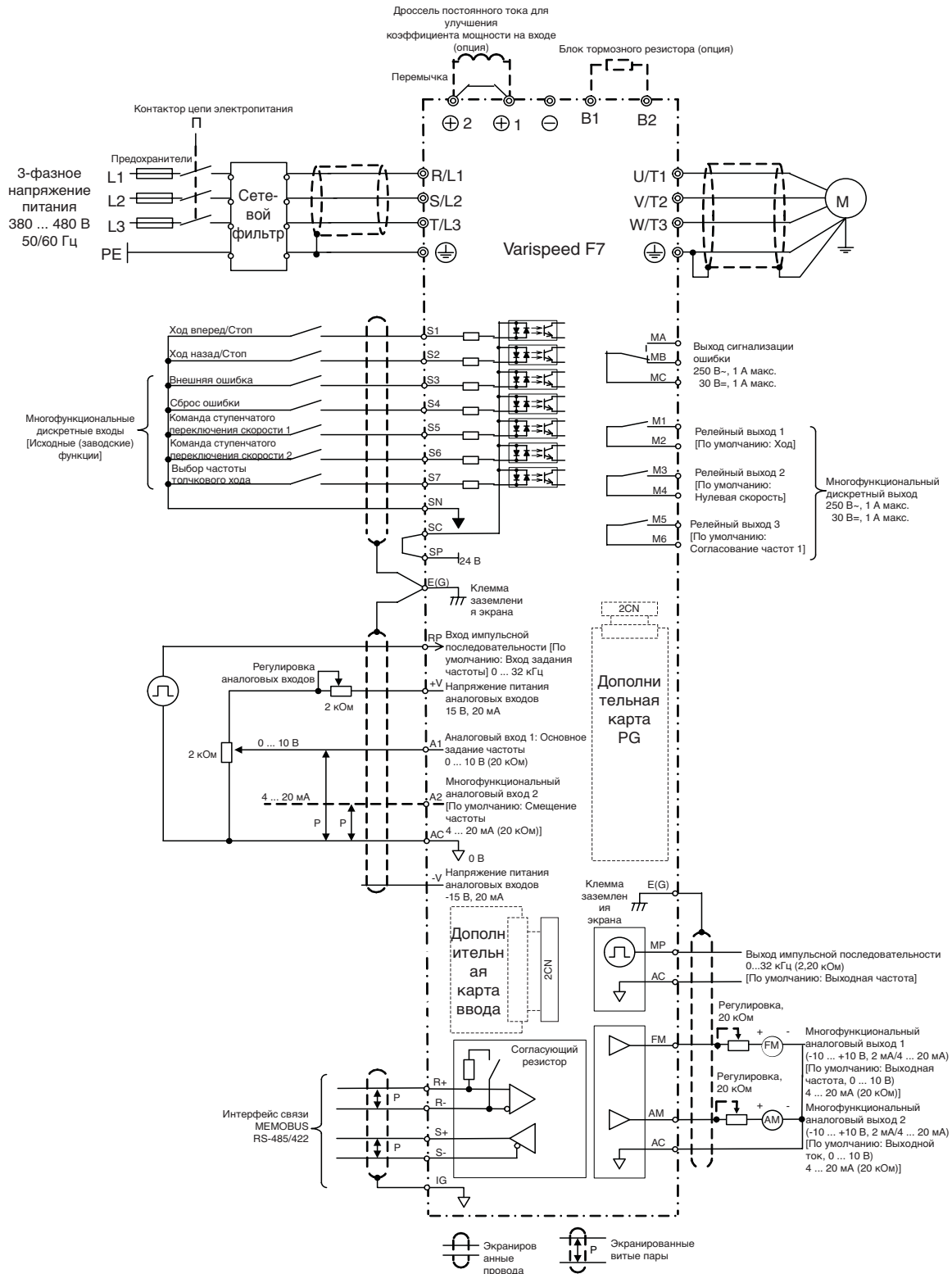


Рис. 4 Схема подключения инвертора

## ■ Клеммы силовых цепей

Таблица 1 содержит перечень клемм силовых цепей, их обозначения и функции. Подключайте клеммы только в соответствии с их назначением.

Таблица 1 Назначение клемм силовой цепи (инверторы класса 200 В и 400 В)

Назначение	Обозначения клемм	Модель: CIMR-F7Z□□□□	
		Инверторы класса 200 В	Инверторы класса 400 В
Ввод напряжения электропитания (входная силовая цепь)	R/L1, S/L2, T/L3	20P4 ... 2110	40P4 ... 4300
	R1/L11, S1/L21, T1/L31	2022 ... 2110	4022 ... 4300
Выходы инвертора	U/T1, V/T2, W/T3	20P4 ... 2110	40P4 ... 4300
Клеммы шины постоянного тока	⊕1, ⊖	20P4 ... 2110	40P4 ... 4300
Подключение блока тормозного резистора	B1, B2	20P4 ... 2018	40P4 ... 4018
Подключение дросселя постоянного тока	⊕1, ⊕2	20P4 ... 2018	40P4 ... 4018
Подключение тормозного блока	⊕3, ⊖	2022 ... 2110	4022 ... 4300
Заземление	⊕	20P4 ... 2110	40P4 ... 4300

## ■ Клеммы цепей управления

Рис. 5 показывает расположение клемм цепей управления. Функции клемм схемы управления перечислены в Таблица 2. Используйте клеммы только по назначению.

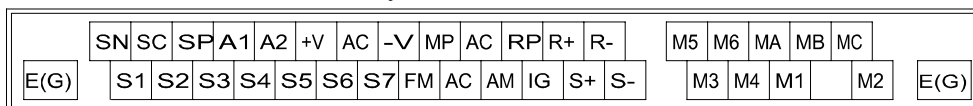


Рис. 5 Расположение клемм цепей управления

Таблица 2 Клеммы схемы управления и их функции, выбранные по умолчанию

Тип	Номер	Наименование сигнала	Функция	Уровень сигнала
Дискретные входы	S1	Команда «Ход вперед/Стоп»	ВКЛ: Ход вперед; ВЫКЛ: Стоп	24 В=, 8 мА Оптронная развязка
	S2	Команда «Ход назад/Стоп»	ВКЛ: Ход назад; ВЫКЛ: Стоп	
	S3	Вход «Внешняя ошибка» <sup>*1</sup>	ВКЛ: Ошибка.	
	S4	Сброс ошибки <sup>*1</sup>	ВКЛ: Сброс	
	S5	Команда ступенчатого переключения скорости 1 <sup>*1</sup> (Переключатель основного/вспомогательного задания)	ВКЛ: Вспомогательное задание частоты	
	S6	Команда ступенчатого переключения скорости 2 <sup>*1</sup>	ВКЛ: Скорость 2	
	S7	Задание частоты толчкового хода <sup>*1</sup>	ВКЛ: Частота толчкового хода	
	SC	Общая цепь дискретных входов	—	
	SN	Нейтраль дискретных входов	—	
	SP	Напряжение питания дискретных входов	+24 В= для дискретных входов	
Аналоговые входы	+V	Выход питания 15 В	Напряжение питания 15 В для аналоговых входов задания частоты	15 В (Макс. ток.: 20 мА)
	A1	Задание частоты	0 ... +10 В/100 %	-10 ... +10 В (20 кОм) 0 ... +10 В (20 кОм)
	A2	Вспомогательное задание частоты	Вспомогательное аналоговое задание частоты; 4 ... 20 мА (250 Ом)	Функция выбирается параметром H3-09. 4 ... 20 мА (250 Ом) 0 ... +10 В (20 кОм) 0 ... 20 мА (250 Ом)
	-V	Выход питания -15 В	Напряжение питания -15 В для аналоговых входов задания частоты	
	AC	Общая цепь аналоговых входов	—	—
	E(G)	Провод экрана, дополнительная точка заземления	—	—

Тип	Номер	Наименование сигнала	Функция		Уровень сигнала
Дискретные выходы	M1	Вращение (Ход) (норм. разомкн.)	Замкнут в режиме «Ход»		Релейные выходы Допустимая нагрузка контактов: макс. 1 А при 250 В~ макс. 1 А при 30 В=*3
	M2				
	M3	Нулевая скорость (норм. разомкн.)	Замкнут при нулевом (b2-01) или более низком уровне выходной частоты		
	M4				
	M5	Обнаружение согласования скорости (норм. разомкн.)	ВКЛ: В пределах $\pm 2$ Гц от заданной частоты		
	M6				
	MA				
	MB	Выход сигнализации ошибки	Замкнут между MA и MC при ошибке		
	MC		Разомкнут между MB и MC при ошибке		
Аналоговые выходные сигналы	FM	Выходная частота	Аналоговый сигнал значения выходной частоты; 0 ... 10 В; 10 В при F <sub>макс.</sub>	Функция выбирается параметром H4-01	0 ... +10 В макс. $\pm 5$ %, макс. 2 мА -10 ... +10 В макс. $\pm 5$ %, макс. 2 мА 4 ... 20 мА
	AC	Общая цепь выходных аналоговых сигналов	-		
	AM	Выходная мощность инвертора	Аналоговый сигнал значения выходной мощности; 0 ... 10В; 10 В при макс. допуст. мощн. двиг.	Функция выбирается параметром H4-04	
Импульсные входы-выходы	RP	Импульсный вход	H6-01 (Вход задания частоты) *4		0 ... 32 кГц (3 кОм) Напряжение высокого уровня 3,5 ... 13,2 В 0 ... 32 кГц Выход +15 В (2,2 кОм)
	MP	Импульсный выход	H6-06 (Выходная частота)		
RS-485/422	R+	Вход интерфейса MEMOBUS	Для 2-проводного интерфейса RS-485: замкните накоротко R+ и S+, а также R- и S-.		Дифференциальный выход, оптронная развязка
	R-				
	S+	Выход интерфейса MEMOBUS			-
	S-				
	IG				

\*1. Для входов S3 ... S7 указаны функции, выбранные по умолчанию. При 3-проводном управлении по умолчанию выбраны следующие функции: S5 - 3-проводное управление, S6 – команда ступенчатого переключения скорости 1 и S7 - команда ступенчатого переключения скорости 2.

\*2. Этот источник не должен использоваться для питания каких-либо внешних устройств.

\*3. При коммутации индуктивной нагрузки, например, обмотки реле, питаемой от источника постоянного тока, подключайте шунтирующий диод, как показано на *Рис. 6*

\*4. Параметры импульсного входа приведены в следующей таблице:

Напряжение низкого уровня	0,0 ... 0,8 В
Напряжение высокого уровня	3,5 ... 13,2 В
Длительность высокого (скважность)	30 %...70 %
Частота импульсов	0 ... 32 кГц

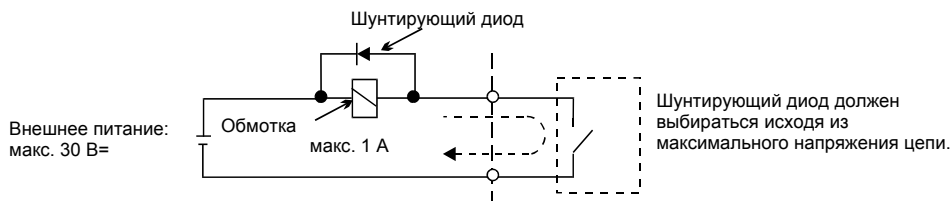


Рис. 6 Подключение шунтирующего диода

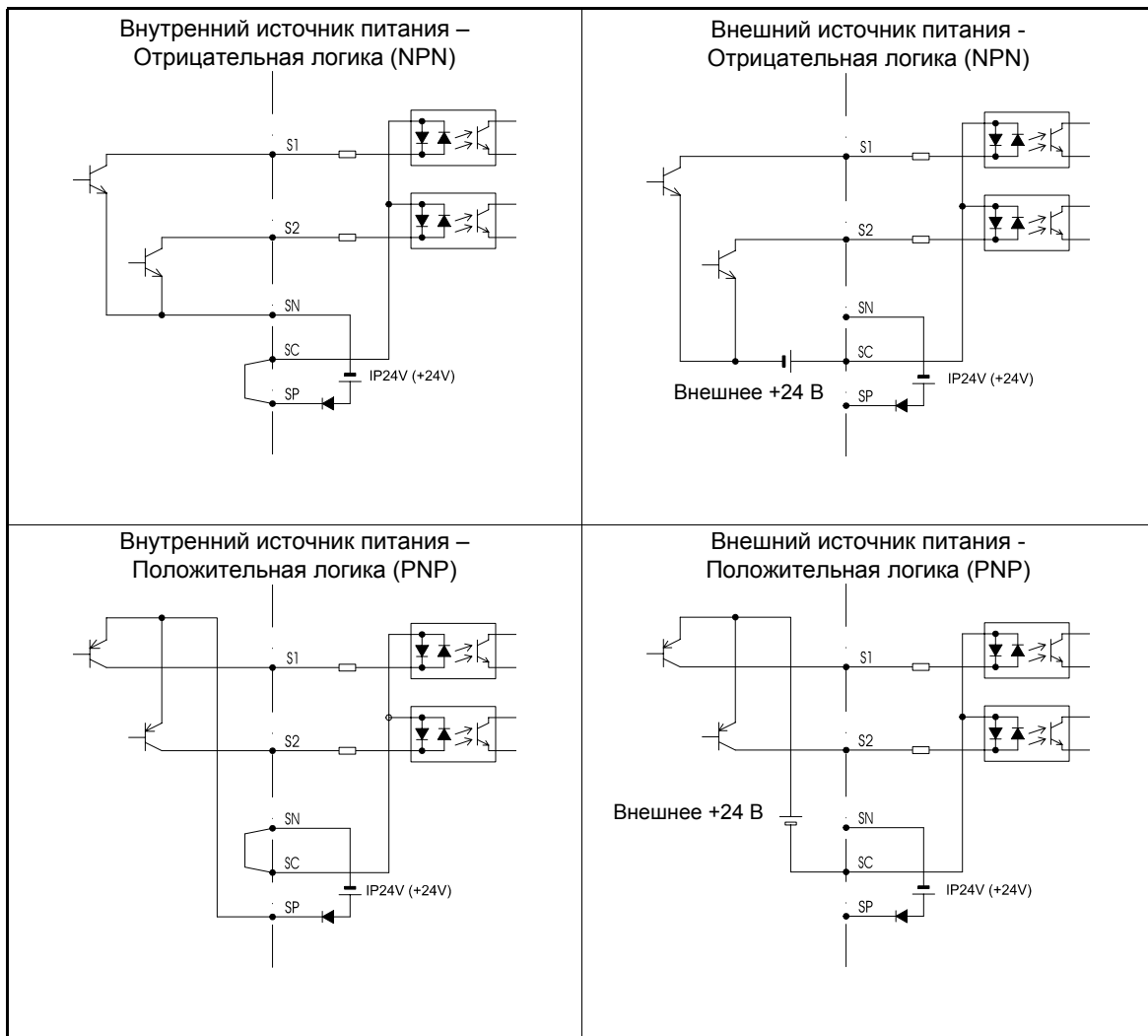


1. Подключение цепей дискретных входов S1 ... S7 на *Рис. 4* показано для случая, когда источником сигналов являются механические контакты или транзисторы NPN-типа (общий 0 В, отрицательная логика). Такая схема выбрана по умолчанию. Подключение транзисторов PNP-типа и использование внешнего источника питания 24 В описано в *Таблица 3*.
2. Дроссель постоянного тока является опцией только для инверторов мощностью 18,5 кВт и ниже. При подключении дросселя постоянного тока снимите перемычку.

## ■ Отрицательная/положительная логика (выбор NPN/PNP)

С помощью переключки CN5 для входов можно выбирать отрицательную (общий 0 В, NPN) или положительную (общий +24 В, PNP) логику управления. Также имеется возможность использования внешнего источника питания, что позволяет более гибко выбирать способы подачи сигналов.

Таблица 3 Отрицательная/положительная логика и входные сигналы



## ◆ Подключение входных силовых цепей

### Установка предохранителей

Для защиты инвертора рекомендуется использовать полупроводниковые предохранители, перечисленные в таблице ниже.

Таблица 4 Выбор предохранителя для входной цепи

Тип инвертора	Номинальный выходной ток (А)	Параметры предохранителя			Рекомендуемый предохранитель (Ferraz)		
		Напряжение (В)	Ток (А)	$I^2t$ (А <sup>2</sup> с)	Модель	Номиналы	$I^2t$ (А <sup>2</sup> с)
20P4	3,2	240	10	12~25	A60Q12-2	600V/12A	17
20P7	4,1	240	10	12~25	A60Q12-2	600V/12A	17
21P5	7,0	240	15	23~55	A60Q15-2	600V/15A	26
22P2	9,6	240	20	34~98	A60Q20-2	600V/20A	41
23P7	15	240	30	82~220	A60Q30-2	600V/30A	132
25P5	23	240	40	220~610	A50P50-4	500V/50A	250
27P5	31	240	60	290~1300	A50P80-4	500V/80A	640
2011	45	240	80	450~5000	A50P80-4	500V/80A	640
2015	58	240	100	1200~7200	A50P125-4	500V/125A	1600
2018	71	240	130	1800~7200	A50P150-4	500V/150A	2200
2022	85	240	150	870~16200	A50P150-4	500V/150A	2200
2030	115	240	180	1500~23000	A50P200-4	500V/200A	4000
2037	145	240	240	2100~19000	A50P250-4	500V/250A	6200
2045	180	240	300	2700~55000	A50P300-4	500V/300A	9000
2055	215	240	350	4000~55000	A50P350-4	500V/350A	12000
2075	283	240	450	7100~64000	A50P450-4	500V/450A	20000
2090	346	240	550	11000~64000	A50P600-4	500V/600A	36000
2110	415	240	600	13000~83000	A50P600-4	500V/600A	36000
40P4	1,8	480	5	6~55	A60Q10-2	600V/10A	10
40P7	2,1	480	5	6~55	A60Q10-2	600V/10A	10
41P5	3,7	480	10	10~55	A60Q12-2	600V/12A	17
42P2	5,3	480	10	18~55	A60Q15-2	600V/15A	26
43P7	7,6	480	15	34~72	A60Q20-2	600V/20A	41
44P0	8,7	480	20	50~570	A60Q30-2	600V/30A	132
45P5	12,5	480	25	100~570	A60Q30-2	600V/30A	132
47P5	17	480	30	100~640	A60Q30-2	600V/30A	132
4011	24	480	50	150~1300	A70P50-4	700V/50A	300
4015	31	480	60	400~1800	A70P70-4	700V/70A	590
4018	39	480	70	700~4100	A70P80-4	700V/80A	770
4022	45	480	80	240~5800	A70P80-4	700V/80A	770
4030	60	480	100	500~5800	A70P100-4	700V/100A	1200
4037	75	480	125	750~5800	A70P125-4	700V/125A	1900
4045	91	480	150	920~13000	A70P150-4	700V/150A	2700
4055	112	480	150	1500~13000	A70P200-4	700V/200A	4800
4075	150	480	250	3000~55000	A70P250-4	700V/250A	7500
4090	180	480	300	3800~55000	A70P300-4	700V/300A	11000
4110	216	480	350	5400~23000	A70P350-4	700V/350A	15000
4132	260	480	400	7900~64000	A70P400-4	700V/400A	19000
4160	304	480	450	14000~250000	A70P450-4	700V/450A	24000
4185	370	480	600	20000~250000	A70P600-4	700V/600A	43000
4220	506	480	700	34000~400000	A70P700-4	700V/700A	59000
4300	675	480	900	52000~920000	A70P900-4	700V/900A	97000

При подключении цепей ввода электропитания необходимо соблюдать следующие предосторожности.

- Используемый в цепях питания (R/L1, S/L2 и T/L3) автоматический выключатель в литом корпусе должен быть пригоден для работы с инвертором.
- Для обеспечения надежной защиты от токов утечки на землю применяемый автоматический выключатель, срабатывающий по току утечки на землю, должен распознавать токи всех типов.

- На входе инвертора допускается использовать электромагнитный контактор или другое коммутационное устройство. Не следует включать инвертор чаще одного раза в час.
- Фазы входного напряжения (R/S/T) можно подключать в любой последовательности.
- В случае подключения инвертора к силовому трансформатору большой мощности (600 кВт и выше), а также в случае включения фазокомпенсирующего конденсатора поблизости от инвертора, через входную силовую цепь может протекать ток чрезвычайно высокой амплитуды, который может вывести инвертор из строя. В качестве меры защиты установите на входе инвертора дополнительный дроссель переменного тока или подсоедините к соответствующим клеммам инвертора дроссель постоянного тока.
- При наличии вблизи инвертора индуктивных нагрузок используйте устройство ограничения перенапряжений или диод. Индуктивной нагрузкой являются электромагнитные контакторы (пускатели), электромагнитные реле, электромагнитные клапаны, электромагниты и электромагнитные тормозные устройства.

### ■ Подключение выходных силовых цепей

При подключении выходных силовых цепей соблюдайте следующие меры предосторожности.

- Никогда не подавайте электропитание на выходные клеммы инвертора. Это может привести к повреждению инвертора.
- Никогда не замыкайте выходные клеммы между собой или на землю. Это может привести к повреждению инвертора.
- Не используйте фазокомпенсирующие конденсаторы. Это может привести к выходу из строя инвертора и конденсаторов.
- Проверьте логику управления и убедитесь в том, что электромагнитный контактор между инвертором и двигателем НЕ ВКЛЮЧАЕТСЯ и НЕ ВЫКЛЮЧАЕТСЯ во время работы инвертора. Включение электромагнитного контактора при работе инвертора приведет к возникновению большого пускового тока, который может вызвать срабатывание защиты инвертора от перегрузки по току.

### ■ Подключение цепи заземления

Для цепи заземления необходимо соблюдать следующие требования.

- Проводник заземления не должен одновременно использоваться другими устройствами, например, сварочными аппаратами или силовыми установками.
- Проводник цепи заземления должен соответствовать техническим стандартам на электрическое оборудование и иметь минимальную длину. Инвертор создает ток утечки. Поэтому, если расстояние между точкой заземления и клеммой заземления инвертора слишком велико, потенциал на клемме заземления инвертора будет нестабильным.
- При использовании более одного инвертора провода заземления не должны образовывать замкнутый контур.

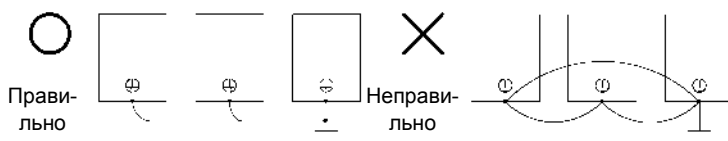


Рис. 7 Выполнение заземления

### ■ Меры предосторожности при подключении цепей управления

При подключении цепей управления необходимо соблюдать следующие меры предосторожности.

- Цепи управления должны быть отделены от силовых цепей (клеммы R/L1, S/L2, T/L3, B1, B2, U/T1, V/T2, W/T3, B1, B2, ⊖, ⊕1, ⊕2 и ⊕3, PO, NO) и от других цепей высокой мощности.
- Цепи, подключаемые к клеммам схемы управления MA, MB, MC, M1 ... M6 (релейные выходы), должны быть отделены от других цепей управления.
- Используемый дополнительный внешний источник питания должен соответствовать Классу 2 по UL.
- Для предотвращения сбоев в процессе работы выполняйте монтаж цепей управления витыми парами или экранированными кабелями с витыми парами.
- Заземляя экраны кабелей, добивайтесь максимальной площади контакта экрана с заземляющей поверхностью.
- Экраны кабелей должны заземляться с обоих концов кабелей.

# Управление с клавиатуры

## ◆ Цифровая панель управления (опция)

Ниже приведены названия и функции клавиш цифровой панели управления



Индикаторы режимов привода

- FWD: Светится, когда подана команда «Ход вперед».
- REV: Светится, когда подана команда «Обратный ход».
- SEQ: Светится, когда для подачи команды «Ход» используется любой другой источник, а не цифровая панель управления.
- REF: Светится, когда для ввода задания частоты используется любой другой источник, а не цифровая панель управления.
- ALARM: Светится в состоянии ошибки или предупреждения.

Дисплей для отображения информации

Служит для отображения контролируемых данных, номеров параметров и заданных значений.

*Режим* (отображается в левом верхнем углу дисплея

- DRIVE: Светится в режиме «Привод».
- QUICK: Светится в режиме «Быстрое программирование».
- ADV: Светится в режиме «Расширенное программирование».
- VERIFY: Светится в режиме «Сравнение».
- A. TUNE: Светится в режиме «Автонастройка».

Клавиши

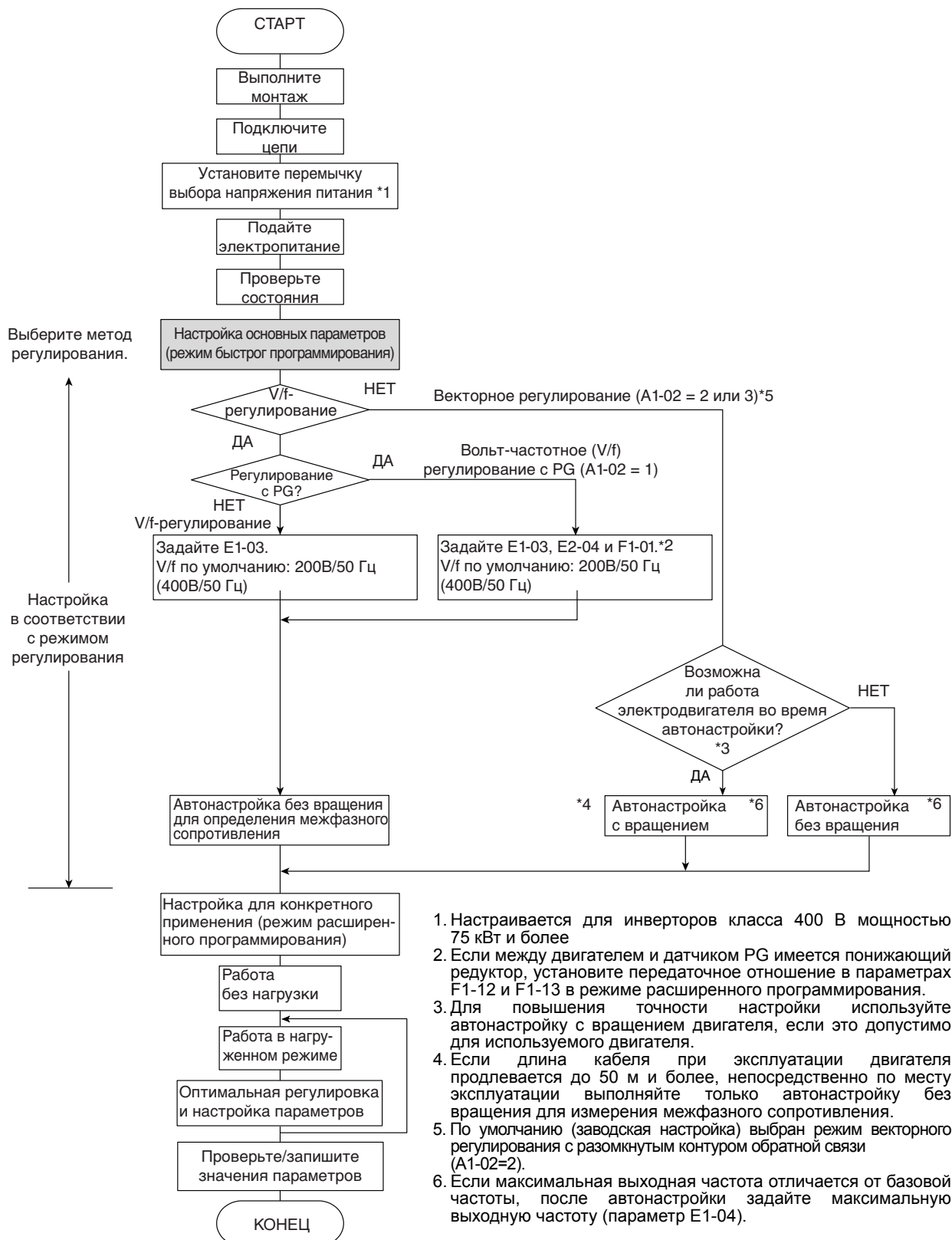
Служат для выполнения таких операций, как настройка параметров, контроль значений, выбор толчкового хода и автонастройка.

## ■ Клавиши цифровой панели управления

Клавиша	Название	Функция
	Клавиша LOCAL/REMOTE (ЛОКАЛЬНОЕ/ДИСТАНЦИОННОЕ)	Переключение между управлением от цифровой панели (ЛОКАЛЬНОЕ) и настройками параметров b1-01 и b1-02 (ДИСТАНЦИОННОЕ). Данную клавишу можно разблокировать или заблокировать параметром o2-01.
	Клавиша MENU (МЕНЮ)	Выбор режимов.
	Клавиша ESC (ОТМЕНА)	Возврат в состояние, предшествующее нажатию клавиши DATA/ENTER (ДААННЫЕ/ВВОД)
	Клавиша JOG ТОЛЧКОВЫЙ РЕЖИМ)	Иницирует толчковый ход, когда управление инвертором производится с цифровой панели.
	Клавиша FWD/REV (ВПЕРЕД/НАЗАД)	Выбор направления вращения двигателя, когда управление инвертором производится с цифровой панели.
	Клавиша Shift/RESET Сдвиг/Сброс)	Выбор текущего разряда в режиме программирования параметров. Также действует как клавиша "Сброс" в случае возникновения ошибки.
	Клавиша Increment (Увеличение)	Выбор номеров параметров пользователя и увеличение значений параметров. Также используется для перехода к следующему пункту или данным.
	Клавиша Decrement (Уменьшение)	Выбор номеров параметров пользователя и уменьшение значений параметров. Также используется для перехода к предыдущему пункту или данным.
	Клавиша DATA/ENTER (ДААННЫЕ/ВВОД)	Вход в пункт меню, выбор параметра, подтверждение измененного значения параметра.
	Клавиша RUN (ХОД)	Запуск работы (вращения), когда управление инвертором производится с цифровой панели (режим локального управления)
	Клавиша STOP (СТОП)	Прекращение работы (вращения) (режимы локального и дистанционного управления). Если для управления используется не цифровая панель, а иной источник команд, данную клавишу можно разблокировать или

# Включение питания и настройка основных параметров

## ◆ Процедура запуска



1. Настраивается для инверторов класса 400 В мощностью 75 кВт и более
2. Если между двигателем и датчиком PG имеется понижающий редуктор, установите передаточное отношение в параметрах F1-12 и F1-13 в режиме расширенного программирования.
3. Для повышения точности настройки используйте автонастройку с вращением двигателя, если это допустимо для используемого двигателя.
4. Если длина кабеля при эксплуатации двигателя продлевается до 50 м и более, непосредственно по месту эксплуатации выполняйте только автонастройку без вращения для измерения межфазного сопротивления.
5. По умолчанию (заводская настройка) выбран режим векторного регулирования с разомкнутым контуром обратной связи (A1-02=2).
6. Если максимальная выходная частота отличается от базовой частоты, после автонастройки задайте максимальную выходную частоту (параметр E1-04).

Рис. 8 Последовательность пробного запуска



## ◆ Действия перед включением питания

Перед включением питания тщательно проверьте следующее:

- Соответствие параметров источника питания характеристикам инвертора.
- Надежность подсоединения кабелей питания к соответствующим клеммам (L1, L2, L3).
- Надежность подсоединения кабелей двигателя к соответствующим клеммам на стороне инвертора (U, V, W) и на стороне двигателя.
- Правильность подключения тормозного блока/тормозного резистора.
- Правильность подключения цепей к клеммам схемы управления инвертора и к управляющему устройству.
- Переведите все входы управления инвертора в состояние ВЫКЛ.
- В случае использования карты датчика (PG) проверьте правильность ее подключения.

## ◆ Состояние дисплея после включения питания

При отсутствии ошибок после включения питания на дисплее цифровой панели управления отображаются следующие сообщения

Дисплей при отсутствии ошибок

```
-DRIVE-  
Frequency RefRdy  
U1- 01=50,00Hz  
-----  
U1-02=50,00Hz  
U1-03=10,05A
```

На дисплее отображается контролируемое значение задания частоты.

При наличии ошибки или активного предупреждения будет отображено сообщение об ошибке или предупреждение. В этом случае см. [стр. 21, Поиск и устранение неисправностей](#).

Дисплей при наличии ошибок

```
-DRIVE-  
UV  
DC Bus Undervolt
```

На дисплее отображается сообщение об ошибке или предупреждение. Показан пример предупреждения о пониженном напряжении.

## ◆ Автонастройка

Функция автонастройки позволяет автоматически скорректировать параметры двигателя при векторном управлении с разомкнутым или замкнутым контуром в случае изменения длины кабелей или изменений в монтаже.

### ■ Выбор режима автонастройки

Можно выбрать один из трех режимов автонастройки.

- Автонастройка с вращением
- Автонастройка без вращения
- Автонастройка без вращения только для измерения межфазного сопротивления

#### Автонастройка с вращением (T1-01 = 0)

Автонастройка с вращением применяется только для векторного управления с разомкнутым или замкнутым контуром. Установите параметр T1-01 равным 0, введите данные из паспортной таблички двигателя и нажмите клавишу RUN (Ход) на цифровой панели управления. Инвертор будет вращать двигатель примерно 1 минуту и автоматически установит необходимые параметры двигателя.

#### Автонастройка без вращения (T1-01 = 1)

Автонастройка без вращения применяется только для векторного управления с разомкнутым или замкнутым контуром. Установите параметр T1-01 равным 1, введите данные из паспортной таблички двигателя и нажмите клавишу RUN (Ход) на цифровой панели управления. Инвертор будет подавать питание на невращающийся двигатель примерно 1 минуту, после чего некоторые параметры двигателя будут установлены автоматически. Остальные параметры двигателя будут настроены автоматически во время первого пуска.

### Автонастройка без вращения для определения межфазного сопротивления (Т1-01 = 2)

Автонастройка без вращения, служащая для определения межфазного сопротивления, может применяться при любом режиме регулирования. Это единственно возможный вид автонастройки для V/f - регулирования и V/f - регулирования с датчиком PG.

Она может использоваться для улучшения характеристик регулирования при большой длине кабеля, при изменении длины кабеля, а также в том случае, когда двигатель и инвертор отличаются по мощности.

Для выполнения автонастройки в случае V/f - регулирования и V/f - регулирования с PG задайте параметры Т1-02 (Номинальная мощность двигателя) и Т1-04 (Номинальный ток двигателя) и нажмите клавишу RUN (Ход) на цифровой панели управления. Инвертор будет подавать питание на невращающийся двигатель примерно 20 секунд и автоматически измерит межфазное сопротивление двигателя и сопротивление кабеля.



**ВАЖНО**

1. Во время автонастройки на двигатель подается питание, однако двигатель при этом не вращается. Не прикасайтесь к двигателю до завершения автонастройки.
2. Перед запуском автонастройки убедитесь в том, что все контакторы в цепи питания двигателя замкнуты.
3. Для отмены автонастройки нажмите клавишу STOP на цифровой панели управления.

### ■ Прочие предупреждения и ошибки в режиме автонастройки

Обзор возможных предупреждений и ошибок, возникающих во время выполнения автонастройки, а также меры по их устранению см. на [стр. 24, Ошибки автонастройки](#).

# Программируемые параметры

Номер параметра	Название	Описание
<b>Параметры инициализации</b>		
A1-00	Выбор языка для дисплея цифровой панели управления (только для JVOP-160-0Y)	<b>0: Английский</b> 2: Немецкий 3: Французский 4: Итальянский 5: Испанский 6: Португальский
A1-01	Уровень доступа к параметрам	<b>0: Только контроль (контроль режима привода и настройка параметров A1-01 и A1-04.)</b> 1: Используется для выбора параметров пользователя (отображать и задавать можно только те параметры, которые выбраны в A2-01 ... A2-32). 2: Полный доступ (можно отображать и задавать параметры как в режиме быстрого (Q), так и в режиме расширенного (A) программирования).
A1-02	Выбор метода регулирования	<b>0: V/f - регулирование</b> 1: V/f - регулирование с PG 2: Векторное регулирование с разомкнутым контуром 3: Векторное регулирование с замкнутым контуром
A1-03	Инициализация	0: Без инициализации 1110: Возврат к значениям параметров, заданных пользователем 2220: Выполняется инициализация с использованием двухпроводного управления (возврат к заводским значениям параметров). 3330: Выполняется инициализация с использованием трехпроводного управления.
<b>Источник управления/задания</b>		
b1-01	Выбор источника задания частоты	Устанавливает способ ввода задания частоты. <b>0: Цифровая панель управления</b> 1: Клемма схемы управления (аналоговый вход) 2: Последовательный интерфейс (RS422/485) 3: Дополнительная карта
b1-02	Выбор источника команды RUN (Ход)	Устанавливает способ подачи команды «Ход». <b>0: Цифровая панель управления</b> 1: Клемма схемы управления (многофункциональные дискретные входы) 2: Последовательный интерфейс (RS422/485) 3: Дополнительная карта
b1-03	Выбор способа остановки	Устанавливает метод остановки при отсутствии сигнала Run (Ход) <b>0: Торможение до полной остановки</b> 1: Остановка с вращением по инерции (самовыбег) 2: Торможение постоянным током до остановки 3: Остановка с вращением по инерции с таймером (во время торможения новые команды Run (Ход) игнорируются).
b1-04	Запрет обратного хода	<b>0: Обратный ход разрешен</b> 1: Обратный ход запрещен 2: Чередование фаз выходного напряжения (разрешены оба направления вращения) 3: Запрет чередования фаз выходного напряжения и обратного вращения.
<b>Параметры разгона/торможения</b>		
C1-□□	Значения времени разгона/торможения	Задаёт время разгона/торможения от 0 Гц до максимальной частоты/от максимальной частоты до 0 Гц.
<b>Параметры S-профиля</b>		
C2-□□	Время S-профиля при разгоне	Определяют форму S-профиля в начале и в конце разгона.

Номер параметра	Название	Описание
<b>Компенсация скольжения двигателя (не предусмотрено для V/f-регулирования с PG)</b>		
C3-01	Коэффициент усиления для компенсации скольжения	Служит для повышения точности регулирования скорости • Увеличьте значение, если выходная частота слишком мала • Уменьшите значение, если выходная частота слишком высока.
C3-02	Постоянная времени задержки компенсации скольжения (только для V/f и вект. регулир. с разомкн. конт.)	Задаёт время задержки для компенсации скольжения • Увеличьте значение, если выходная частота нестабильна • Уменьшите значение, если отклик при компенсации скольжения мал.
<b>Регулирование скорости (ASR) (только для V/f с PG и вект. регулир. с замкн. конт.)</b>		
C5-01	Коэффициент передачи пропорционального звена 1 (ASR)	Задаёт коэффициент передачи пропорционального звена контура регулирования скорости (ASR).
C5-02	Время интегрирования 1 (ASR)	Задаёт время интегрирования контура регулирования скорости (ASR)
C5-03	Коэффициент передачи пропорционального звена 2 (ASR)	
C5-04	Время интегрирования 2 (ASR)	
C5-06	Время задержки выхода ASR (только для вект. с замкн. конт.)	Задаёт постоянную времени фильтра ASR.
C5-07	Значение частоты переключения ASR (только для вект. с замкн. конт.)	Задаёт значение частоты, при котором происходит переключение коэффициентов передачи 1/2 и времен интегрирования 1/2
C5-08	Предельное значение интеграла ASR (только для вект. с замкн. конт.)	Задаёт предельное значение на выходе интегрирующего звена регулятора ASR.
<b>Несущая частота</b>		
C6-01	Выбор повышенной/нормальной нагрузки	<b>0: Повышенная нагрузка</b> 1: Нормальная нагрузка 1 2: Нормальная нагрузка 2
C6-02	Выбор несущей частоты	Задаёт несущую частоту (исходное (заводское) значение зависит от мощности инвертора) <b>0: Низкая несущая частота, низкий уровень шумов</b> 1: 2,0 кГц 2: 5,0 кГц 3: 8,0 кГц 4: 10,0 кГц 5: 12,5 кГц 6: 15,0 кГц F: Программируемая последовательность
<b>Параметры скорости</b>		
d1-01 ... d1-16	Скорости для ступенчатого переключения 1 ... 16	Значения фиксированных скоростей для ступенчатого переключения.
d1-17	Задание частоты толчкового хода	
<b>Регулирование вращающего момента (только для вект. регулир. с замкн. конт.)</b>		
d5-01	Выбор регулирования вращающего момента	<b>0: Регулирование скорости</b> 1: Регулирование вращающего момента

Номер параметра	Название	Описание
d5-06	Таймер переключения регулирования скорости/вращающего момента	Устанавливает время задержки между подачей сигнала "переключение регулирования скорости/вращающего момента" (на дискретный вход) и фактическим переключением режима регулирования
<b>Параметры V/f-характеристики</b>		
E1-01	Настройка входного напряжения	Данный параметр является базовым для функций защиты.
E1-04	Максимальная выходная частота (FMAX)	
E1-05	Максимальное выходное напряжение (VMAX)	
E1-06	Основная частота (FA)	
E1-13	Основное напряжение (VBASE)	
E1-06	Основная частота (FA)	Чтобы V/f-характеристика имела вид прямой линии, необходимо задать одно и то же значение для E1-07 и E1-09. В этом случае значение E1-08 не используется. Необходимо, чтобы для четырех значений частоты соблюдалось следующее соотношение: E1-04 (FMAX) ≥ E1-06 (FA) > E1-07 (FB) ≥ E1-09 (FMIN)
E1-13	Основное напряжение (VBASE)	Соотношение: E1-04 (FMAX) ≥ E1-06 (FA) > E1-07 (FB) ≥ E1-09 (FMIN)
<b>Параметры двигателя</b>		
E2-01	Номинальный ток двигателя	Содержат технические параметры двигателя.
E2-02	Номинальное скольжение двигателя	
E2-03	Ток ненагруженного двигателя	
E2-04	Число полюсов двигателя	
E2-09	Механические потери двигателя	
E2-11	Номинальная выходная мощность двигателя	
<b>Параметры датчика PG (опция)</b>		
F1-01	Постоянная PG	Задаёт число импульсов PG на один оборот
F1-05	Вращение PG	0: Когда подана команда «Ход вперед», опережающим является канал А 1: Когда подана команда «Ход вперед», опережающим является канал В
<b>Параметры дискретных входов/выходов</b>		
H1-01 ... H1-05	Выбор функций клемм S3 ... S7	Перечень возможных значений приведен на <i>стр. 20</i> , <i>Выбор функции дискретного входа (H1-01 ... H1-05)</i> .
H2-01 и H2-02	Выбор функций клемм M1-M2 и M3-M4	Перечень возможных значений приведен на <i>стр. 20</i> , <i>Выбор функции дискретного выхода</i> .
<b>Параметры аналоговых входов/выходов</b>		
H3-08	Выбор уровня сигнала многофункционального аналогового входа А2	Задаёт уровень сигнала на многофункциональном аналоговом входе А2. 0: 0 ... +10 В (11 разр.). 1: -10 ... +10 В 2: 4 ... 20 мА (9 разр.) Чтобы использовать сигнал напряжения, обязательно переведите переключатель S1-2 в положение «V».
H3-09	Выбор функции аналогового входа А2	Выбирает функцию многофункционального аналогового входа А2

Номер параметра	Название	Описание
H3-13	Переключение входа А1/А2	Выбор входа для подачи основного задания частоты. 0: В качестве источника основного задания частоты используется аналоговый вход 1 (клемма А1). 1: В качестве источника основного задания частоты используется аналоговый вход 2 (клемма А2).
H4-01	Выбор контролируемого параметра (клемма FM)	Определяют номера параметров (U1-□□), контролируемых на выходах FM/AM.
H4-04	Выбор контролируемого параметра (клемма AM)	
<b>Вход/выход импульсной последовательности</b>		
H6-01	Выбор функции входа импульсной последовательности	Выбирает функцию входа импульсной последовательности 0: Задание частоты 1: Обратная связь ПИД-регулятора 2: Задание ПИД-регулятора
H6-02	Масштаб входа импульсной последовательности	Задаёт кол-во импульсов (Гц), эквивалентное уровню 100 % от входного значения, выбранного параметром H6-01.
H6-06	Выбор параметра, выходом импульсной последовательности	Выбирает параметр (U1-□□), контролируемый с помощью выхода импульсной последовательности
H6-07	Масштаб выхода импульсной последовательности	Задаёт кол-во выходных импульсов (Гц), эквивалентное уровню 100 % от контролируемого параметра.
<b>Предотвращение опрокидывания ротора</b>		
L3-01	Выбор режима предотвращения опрокидывания ротора во время разгона (не предусмотрено для вент. конт.)	0: Отключено (Разгон в соответствии с настройкой. В случае повышенной нагрузки может произойти опрокидывание ротора). 1: Включено (Разгон прекращается, когда превышает уровень L3-02. Разгон возобновляется вновь, когда ток падает ниже уровня обнаружения опрокидывания ротора). 2: Режим интеллектуального разгона (Параметр L3-02 используется как базовый, разгон корректируется автоматически. Заданное время разгона игнорируется).
L3-04	Выбор режима предотвращения опрокидывания ротора во время торможения	0: Отключено (Торможение в соответствии с настройкой. Если время торможения слишком мало, может возникнуть превышение напряжения в в шине постоянного тока). 1: Включено (Торможение прекращается, когда напряжение шины постоянного тока превышает уровень защиты от опрокидывания. Когда напряжение становится ниже уровня опрокидывания ротора, торможение вновь возобновляется.) 2: Режим интеллектуального торможения (Скорость торможения корректируется автоматически таким образом, чтобы инвертор выполнил торможение за наименьшее время. Заданное время торможения игнорируется.) 3: Включено с тормозным резистором
<b>Возобновление работы после возникновения ошибки</b>		
L5-01	Количество попыток автоматического перезапуска	Устанавливает количество попыток автоматического перезапуска (возобновления работы). После возникновения ошибки автоматически выполняется перезапуск и производится поиск скорости, начиная с текущей частоты вращения.

Номер параметра	Название	Описание
L5-02	Выбор режима работы после автоматического перезапуска	Указывает, должно ли срабатывать реле сигнализации ошибки во время перезапуска после сбоя. <b>0: Не используется (реле сигнализации ошибки не срабатывает)</b> 1: Используется (реле сигнализации ошибки срабатывает).
<b>Ограничение вращающего момента (только для вект. регулир. с разомкн. и замкн. конт.)</b>		
L7-01	Предел вращающего момента в прямом направлении	Задает предельное значение вращающего момента в процентах от номинального вращающего момента двигателя. Можно задать четыре отдельные области. 
L7-02	Предел вращающего момента в обратном направлении	
L7-03	Предел вращающего момента в прямом направлении при рекуперации	
L7-04	Предел вращающего момента в обратном направлении при рекуперации	
<b>Контролируемые данные</b>		
U1-01	Заданная частота, Гц/об/мин	
U1-02	Выходная частота, Гц/об/мин	
U1-03	Выходной ток, А	
U1-06	Выходное напряжение, В~	
U1-07	Напряжение в шине постоянного тока, В=	
U1-08	Выходная мощность, кВт	
U1-09	Опорный вращающий момент	
U1-10	Состояние входных клемм	Состояние входов (ВЫКЛ/ВКЛ). U1-10 = 1: Команда FWD (S1) = ВКЛ 1: Команда REV (S2) = ВКЛ 1: Многофункциональный вход 1 (S3) = ВКЛ 1: Многофункциональный вход 2 (S4) = ВКЛ 1: Многофункциональный вход 3 (S5) = ВКЛ 1: Многофункциональный вход 4 (S6) = ВКЛ 1: Многофункциональный вход 5 (S7) = ВКЛ
U1-11	Состояние выходных клемм	Состояние выходов (ВЫКЛ/ВКЛ). U1-11 = 1: Многофункциональный релейный выход 1 (M1-M2) = ВКЛ 1: Многофункциональный релейный выход 2 (M3-M4) = ВКЛ 1: Многофункциональный релейный выход 3 (M5-M6) = ВКЛ Не использ (Всегда 0). 1: Выход ошибки (MA/MB-MC) = ВКЛ
U1-12	Рабочее состояние	Рабочее состояние инвертора. U1-12 = — Ход 1: Нулевая скорость 1: Обратный ход 1: Выход сигнала сброса 1: Согласование скорости 1: Готовность инвертора 1: Незначительная ошибка 1: Серьезная ошибка

Номер параметра	Название	Описание
U1-13	Общее время наработки, часов	
U1-21	Вход ASR	
U1-22	Выход ASR	
U1-34	Номер параметра при ошибке OPE	
U1-40	Время работы охлаждающего вентилятора, часов	
<b>Данные детализации ошибки</b>		
U2-01	Текущая ошибка	
U2-02	Последняя ошибка	
U2-03	Задание частоты при возникновении ошибки	
U2-04	Выходная частота при возникновении ошибки	
U2-05	Выходной ток при возникновении ошибки	
U2-07	Задание выходного напряжения при возникновении ошибки	
U2-08	Напряжение шины постоянного тока при возникновении ошибки	
U2-09	Выходная мощность при возникновении ошибки	
U2-11	Состояние входных клемм при возникновении ошибки	
U2-12	Состояние выходных клемм при возникновении ошибки	
U2-13	Рабочее состояние при возникновении ошибки	
U2-14	Общее время наработки при возникновении ошибки	
<b>Данные протокола ошибок</b>		
U3-01	...	Четыре последних ошибки (первая...четвертая)
U3-04	...	
U3-05	...	
U3-08	...	Общее время наработки при возникновении ошибок 1 ... 4
U3-09	...	
U3-14	...	Пятая ... десятая последние ошибки
U3-15	...	
U3-20	...	Общее время наработки при возникновении пятой ... десятой ошибки
* Следующие ошибки не заносятся в журнал ошибок: CPF00, 01, 02, 03, UV1 и UV2.		
<b>Выбор функции дискретного входа (H1-01 ... H1-05)</b>		
3	Команда ступенчатого переключения скорости 1	
4	Команда ступенчатого переключения скорости 2	
5	Команда ступенчатого переключения скорости 3	
6	Команда «Частота толчкового хода» (имеет приоритет над командой ступенчатого переключения скорости)	
7	Выбор времени разгона/торможения 1	
F	Не используется (это значение выбирается, когда клемма не используется)	
14	Сброс ошибки (сброс осуществляется при переключении в состояние ВКЛ)	
19	Отключение ПИ-регулирования	
от 20 до 2F	Внешняя ошибка; тип входного контакта: нормально разомкнутый/нормально замкнутый; режим обнаружения: обычный/во время работы	
71	Переключение регулирования скорости/вращающего момента (ВКЛ: регулирование вращающего момента)	
77	Переключение коэффициента передачи регулирования скорости (ASR) (ВКЛ: C5-03)	
<b>Выбор функции дискретного выхода (H2-01 и H2-02)</b>		
0	Режим хода 1 (ВКЛ: активна (ВКЛ) команда Run (Ход) или на выход подано напряжение)	
6	Готовность инвертора к работе; ГОТОВ: после инициализации или при отсутствии ошибок	
F	Не использ. (значение выбирается, если клемма не используется).	
10	Незначительная ошибка (Предупреждение) (ВКЛ: отображается предупреждение)	
1A	Обратный ход (ВКЛ: обратный ход)	
1F	Предварительное предупреждение о перегрузке двигателя (OL1, включая ОНЗ) (ВКЛ: 90 % или более от уровня обнаружения перегрузки)	
30	Ограничение вращающего момента (ВКЛ: ограничение вращающего момента)	
32	Выход включается, если контур регулирования скорости (ASR) работает на ограничении вращающего момента. Выходной сигнал ASR принимается за задание вращающего момента, двигатель вращается с предельной скоростью.	

# Поиск и устранение неисправностей

## ◆ Сигнализация ошибок и предупреждений общего характера

Функции обнаружения ошибок и формирования предупреждений предназначены для сигнализации ненормальных режимов работы инвертора/оборудования.

В случае предупреждения инвертор не обязательно выключается, при этом на панели управления отображается предупреждающее сообщение (т.е., мигает код предупреждения) и, если это запрограммировано, формируется сигнал предупреждения на многофункциональных выходах (H2-01 и H2-02). При устранении условий формирования предупреждения сигнализация предупреждения автоматически прекращается.

В случае ошибки выход инвертора немедленно отключается, на панели управления отображается сообщение об ошибке и включается выход ошибки. Состояние «ошибка» можно сбросить только вручную после снятия команды «Ход» и устранения причины возникновения ошибки.

В следующих таблицах приведен перечень ошибок и предупреждений и способы их устранения.

Код ошибки	Пре-ду пр.	Ошибка	Описание	Меры по устранению
BUS Option Com Err	○		Ошибка дополнительной карты связи После первоначального установления связи соединение было разорвано.	Проверьте соединения и конфигурацию программного обеспечения пользователя.
CF Out of Control		○	Ошибка регулирования При векторном регулировании с разомкнутым контуром в режиме торможения до остановки был достигнут предельный момент, который наблюдался в течение 3 с или дольше	Проверьте параметры двигателя
CPF00 COM-ERR(OP&INV)		○	Ошибка связи 1/2 с цифровой панелью • Ошибка связи между панелью управления и инвертором • Сбой внешнего ОЗУ ЦПУ	<ul style="list-style-type: none"> <li>Отсоедините и вновь подсоедините цифровую панель управления.</li> <li>Подайте питание на инвертор.</li> <li>Замените инвертор.</li> </ul>
CPF01 COM-ERR(OP&INV)				
CPF02 BB Circuit Err		○	Ошибка CPF02 Ошибка схемы блокировки выхода	<ul style="list-style-type: none"> <li>Произведите инициализацию параметров (восстановление заводских значений).</li> <li>Подайте питание на инвертор.</li> <li>Замените инвертор.</li> </ul>
CPF03 EEPROM Error		○	CPF03 Ошибка EEPROM	
CPF04 INternal A/D Err		○	CPF04 Ошибка внутреннего АЦП ЦПУ	
DEV Speed Deviation		○	F1-04 = 0, 1 или 2, а A1-02 = 1 или 3 Величина отклонения скорости превышала значение параметра F1-10 дольше времени F1-11.	<ul style="list-style-type: none"> <li>Уменьшите нагрузку.</li> <li>Увеличьте время разгона и время торможения</li> <li>Проверьте механическую систему</li> <li>Проверьте значения параметров F1-10 и F1-11</li> <li>Проверьте логику управления. Проверьте, отпускается ли тормоз, когда инвертор начинает повышать скорость.</li> </ul>
		○	F1-04 = 3, а A1-02 = 1 или 3 Величина отклонения скорости превышала значение параметра F1-10 дольше времени F1-11.	
EF External Fault	○		Одновременная подача команд «Прямой ход»/ «Обратный ход» Команды прямого и обратного хода поданы одновременно в течение 500 мс или больше. Данное предупреждение приводит к остановке двигателя.	Проверьте внешнюю логику управления – одновременно должна поступать только одна команда.
EF0 Opt External Flt		○	Внешний сигнал ошибки от дополнительной карты связи	<ul style="list-style-type: none"> <li>Проверьте наличие условий внешней ошибки.</li> <li>Проверьте параметры.</li> <li>Проверьте сигналы связи.</li> </ul>
EFx Ext Fault Sx	○	○	Внешняя ошибка на входе Sx (x обозначает клеммы S3 ... S7)	Устраните причину внешней ошибки.
Ext Run Active Cannot Reset	○		Предупреждение формируется, если команда RESET (Сброс) поступает при еще активной команде RUN (Ход)	Снимите команду «Ход», затем сбросьте ошибку.
GF Ground Fault		○	Замыкание на землю Ток цепи заземления на выходе инвертора превысил 50 % выходного номинального тока инвертора и L8-09=1 (защита включена).	<ul style="list-style-type: none"> <li>Отсоедините двигатель и запустите инвертор без двигателя.</li> <li>Проверьте двигатель на наличие короткого замыкания между фазой и землей.</li> <li>Проверьте выходной ток с помощью прибора для измерения тока без разрыва цепи, чтобы проверить DCCT.</li> <li>Проверьте отсутствие ошибок в схеме (программе) управления контактором двигателя.</li> </ul>
OC Over Current		○	Превышение тока Выходной ток инвертора превысил уровень обнаружения превышения тока.	<ul style="list-style-type: none"> <li>Отсоедините двигатель.</li> <li>Проверьте инвертор на наличие короткого замыкания между фазами на выходе.</li> <li>Запустите инвертор без двигателя.</li> <li>Проверьте двигатель на наличие короткого замыкания между фазами.</li> <li>Проверьте значения времени разгона/ торможения (C1-□□□□).</li> </ul>

Код ошибки	Пре-ду пр.	Ошибка	Описание	Меры по устранению
OH Heatsnk Overtemp		○	Перегрев радиатора Температура охлаждающего радиатора инвертора превысила значение параметра L8-02, а L8-03 = 0, 1 или 2. Охлаждающий вентилятор инвертора не работает	<ul style="list-style-type: none"> <li>Проверьте скопление пыли на вентиляторах или радиаторе.</li> <li>Уменьшите окружающую температуру вблизи привода.</li> <li>Замените охлаждающий(-е) вентилятор(-ы).</li> </ul>
		○	Температура охлаждающего радиатора инвертора превысила значение параметра L8-02, а L8-03 = 3 или 4.	
OH1 Heatsink Max Temp		○	Перегрев радиатора Температура радиатора инвертора превысила 105°C. Охлаждающий вентилятор инвертора не работает	<ul style="list-style-type: none"> <li>Проверьте скопление пыли на вентиляторах или радиаторе.</li> <li>Уменьшите окружающую температуру вблизи привода.</li> <li>Замените охлаждающий(-е) вентилятор(-ы).</li> </ul>
OL1 Motor Overload		○	Перегрузка двигателя Ошибка сигнализируется, если L1-01 = 1, 2 или 3 и величина Iit инвертора вышла за кривую перегрузки двигателя. Кривая перегрузки регулируется с помощью параметров E2-01 (номинальный ток двигателя), L1-01 (выбор защиты двигателя) и L2-02 (постоянная времени защиты двигателя)	<ul style="list-style-type: none"> <li>Проверьте длительность цикла и величину нагрузки, а также время разгона/торможения (C1-□□).</li> <li>Проверьте V/f-характеристику (E1-□□).</li> <li>Проверьте значение параметра E2-01 (Номинальный ток двигателя).</li> </ul>
OL2 Inv Overload		○	Перегрузка инвертора Выходной ток инвертора превысил перегрузочную способность инвертора	<ul style="list-style-type: none"> <li>Проверьте длительность цикла и величину нагрузки, а также время разгона/торможения (C1-□□).</li> <li>Проверьте V/f-характеристики (E1-□□).</li> <li>Проверьте соответствие номинального тока инвертора номинальному току двигателя.</li> </ul>
OS Overspeed Det.		○	F1-03 = 0, 1 или 2, а A1-02 = 1 или 3 Уровень сигнала ОС по скорости (U1-05) превышал значение параметра F1-08 дольше времени, заданного в F1-09	<ul style="list-style-type: none"> <li>Скорректируйте параметры ASR (группа параметров C5)</li> <li>Проверьте схему задания частоты и коэффициент масштабирования задания частоты.</li> <li>Проверьте значения параметров F1-08 и F1-09</li> </ul>
		○	F1-03 = 3, а A1-02 = 1 или 3 Уровень сигнала ОС по скорости (U1-05) превышал значение параметра F1-08 дольше времени, заданного в F1-09	
OV DC Bus Overvolt	○ (только в состоянии останова)	○	Напряжение шины постоянного тока превысило уровень обнаружения превышения напряжения. По умолчанию используются следующие уровни обнаружения: Класс 200 В: 410 В= Класс 400 В: 820 В=	<ul style="list-style-type: none"> <li>Увеличьте время торможения (C1-02/04) или подсоедините тормозное устройство.</li> <li>Проверьте напряжение питания и уменьшите его в соответствии с техническими характеристиками инвертора.</li> <li>Проверьте тормозной прерыватель/резистор.</li> </ul>
PF Input Phase Loss		○	Обрыв фазы входного напряжения Слишком высокий уровень пульсаций в шине постоянного тока. Обнаруживается, только если L8-05=1 (разрешение)	<ul style="list-style-type: none"> <li>Крепко затяните клеммные винты.</li> <li>Проверьте напряжение питания</li> </ul>
PGO PG Open		○	Отсоединение PG Обнаруживается, если F1-02 = 0, 1 или 2, а A1-02 = 1 или 3. Обнаруживается, если импульсы от PG (энкодера) не поступали дольше времени, заданного в F1-14.	<ul style="list-style-type: none"> <li>Устраните отсоединение/разрыв в цепи.</li> <li>Подайте питание на PG надлежащим образом.</li> <li>Проверьте логику управления. Проверьте, отпускается ли тормоз, когда инвертор начинает повышать скорость.</li> </ul>
		○	Отсоединение PG Обнаруживается, если F1-02 = 3, а A1-02 = 1 или 3 Импульсы от PG (энкодера) не поступали дольше времени, заданного в F1-14.	
PUF DC Bus Fuse Open		○	Разрыв цепи предохранителя шины постоянного тока Перегорел предохранитель в цепи электропитания. Предупреждение: Ни в коем случае не запускайте инвертор после замены предохранителя шины постоянного тока, не проверив силовые цепи на наличие короткого замыкания.	<ul style="list-style-type: none"> <li>Обратитесь в сервисный центр Omron.</li> </ul>
RR DynBrk Transistr		○	Транзистор динамического торможения Неисправность встроенного транзистора динамического торможения	<ul style="list-style-type: none"> <li>Выключите инвертор и включите его снова.</li> <li>Замените инвертор.</li> </ul>

Код ошибки	Пре-ду пр.	Ошибка	Описание	Меры по устранению
UV1 DC Bus Undervolt	○ (только в состоянии останова)	○	Напряжение шины постоянного тока находится ниже уровня L2-05 (Уровень обнаружения пониженного напряжения). По умолчанию используются следующие значения: Класс 200 В: 190 В= Класс 400 В: 380 В=	<ul style="list-style-type: none"> <li>• Проверьте входное напряжение.</li> <li>• Проверьте подключение входных силовых цепей.</li> <li>• Увеличьте значения параметров C1-01/03</li> </ul>
			Отказ электромагнитного контактора цепи электропитания. Нет сигнала обратной связи от контактора во время работы инвертора.	Замените инвертор.
UV2 CTL PS Undervolt		○	Пониженное напряжение питания схемы управления Пониженное напряжение питания схемы управления во время работы инвертора.	<ul style="list-style-type: none"> <li>• Отсоедините все цепи от клемм схемы управления и подайте питание на инвертор.</li> <li>• Замените инвертор.</li> </ul>

## ◆ Ошибки программирования

Ошибка программирования (OPE) возникает в том случае, когда несколько связанных параметров не согласуются между собой, либо неверно задан отдельный параметр. Пока параметр не будет задан правильно, инвертор работать не будет. При этом никакие другие предупреждения или сообщения об ошибках выводиться не будут. В случае возникновения OPE измените соответствующий параметр, выяснив причину ошибки по таблице, приведенной ниже. Во время индикации ошибки программирования нажмите клавишу ENTER (ВВОД), чтобы отобразить индикатор U1-34 (Обнаруженная ошибка OPE), содержащий номер параметра, вызвавшего ошибку программирования.

Код ошибки	Описание	Меры по устранению
OPE01 kVA Selection	Ошибка настройки мощности (кВА) инвертора	Введите правильное значение мощности (кВА) в параметр o2-04.
OPE02 Limit	Значение параметра выходит за допустимый диапазон	Проверьте настройку параметров.
OPE03 Terminal	При настройке многофункциональных входов (H1-01...H1-05) была допущена одна из следующих ошибок: <ul style="list-style-type: none"> <li>• Произошло дублирование функций.</li> <li>• Не были одновременно выбраны команды UP/DOWN (10 и 11).</li> <li>• Были одновременно выбраны команды UP/DOWN (10 и 11) и команда удержания рампы разгона/торможения (A).</li> <li>• Одновременно было выбрано несколько входов поиска скорости (61, 62, 64).</li> <li>• Одновременно было выбрано внешнее блокирование выхода с нормально разомкнутым (8) и нормально замкнутым (9) контактом.</li> <li>• Команды UP/DOWN (10 и 11) были выбраны при включенном ПИД-регуляторе.</li> <li>• Одновременно выбрана команда аварийной остановки с нормально разомкнутым (15) и нормально замкнутым (17) контактом.</li> <li>• Выбрана команда UP и/или DOWN (10 /11) и включен ПИД-контур.</li> <li>• Одновременно выбраны команды HSB (68) и KEB (65/66).</li> </ul>	Проверьте значения параметров H1-□□
OPE05 Sequence Select	Ошибка выбора источника команды «Ход» или источника задания Параметр b1-01 (Выбор источника задания частоты) и/или параметр b1-02 (Выбор источника команды RUN) выбраны равными 3 (дополнительная карта), но дополнительная карта не установлена.	<ul style="list-style-type: none"> <li>• Проверьте, установлена ли карта. Выключите питание и переустановите дополнительную карту.</li> <li>• Проверьте настройку параметров b1-01 и b1-02</li> </ul>
OPE06 PG Opt Missing	Ошибка выбора метода регулирования Выбран какой-либо из способов управления, требующий обратной связи от PG (A1-02 = 1 или 3), но дополнительная карта PG не установлена.	Проверьте выбранный способ управления (параметр A1-02) и/или установку дополнительной карты PG.



Код ошибки	Описание	Меры по устранению
OPE08 Constant Selection	Ошибка выбора функции Произведенная настройка применима в режиме регулирования тока. Пример: Для V/f-регулирования была выбрана функция, которая используется только при векторном регулировании с разомкнутым контуром.	Проверьте метод регулирования и функцию.
OPE010 V/f Ptrn Setting	Ошибка настройки параметров V/f	Проверьте параметры (E1-□□). Возможно, установленное значение частоты/напряжения превышает максимальную частоту/напряжение.

## ◆ Ошибки автонастройки

В следующей таблице перечислены ошибки автонастройки. В случае обнаружения ошибки автонастройки ошибка индицируется на дисплее цифровой панели и двигатель останавливается в режиме вращения по инерции. Выход предупреждения или ошибки при этом не срабатывает.

Код ошибки	Описание	Меры по устранению
Er-01 Fault	Ошибка параметров двигателя	<ul style="list-style-type: none"> <li>Проверьте введенные значения.</li> <li>Проверьте мощность инвертора и мощность двигателя.</li> <li>Проверьте значения номинального тока двигателя и тока ненагруженного двигателя.</li> </ul>
Er-02 Minor Fault	Предупреждение	<ul style="list-style-type: none"> <li>Проверьте введенные значения.</li> <li>Проверьте подключение цепей и механическую систему.</li> <li>Проверьте нагрузку.</li> </ul>
Er-03 STOP key	Нажатие клавиши STOP	-
Er-04 Resistance	Ошибка при измерении межфазного сопротивления Значение, полученное в результате автонастройки, превышает допустимый диапазон.	<ul style="list-style-type: none"> <li>Проверьте введенные значения.</li> <li>Проверьте цепи двигателя.</li> </ul>
Er-05 No-Load Current	Ошибка при измерении тока холостого хода двигателя Значение, полученное в результате автонастройки, превышает допустимый диапазон.	<ul style="list-style-type: none"> <li>Если двигатель механически связан с нагрузкой, освободите его от нагрузки.</li> <li>Если значение T1-03 выше входного напряжения инвертора (E1-01), измените введенное значение.</li> </ul>
Er-08 Rated slip	Ошибка при измерении номинального скольжения Значение, полученное в результате автонастройки, превышает допустимый диапазон.	
Er-09 Accelerate	Ошибка разгона (только при автонастройке с вращением двигателя) Двигатель не разогнался за отведенное время (C1-10 + 10 сек.)	<ul style="list-style-type: none"> <li>Увеличьте C1-01 (Время разгона 1)</li> <li>Увеличьте L7-01 и L7-02 (предельные моменты)</li> <li>Если двигатель механически связан с нагрузкой, освободите его от нагрузки.</li> </ul>
Er -11 Motor Speed	Ошибка скорости двигателя (только при автонастройке с вращением двигателя) Задание момента превысило уровень 100 % во время разгона. Обнаруживается только, если A1-02 = 2 или 3 (векторное регулирование).	<ul style="list-style-type: none"> <li>Если двигатель механически связан с нагрузкой, освободите его от нагрузки.</li> <li>Увеличьте C1-01</li> <li>Проверьте введенные данные (в частности, количество импульсов PG и количество полюсов двигателя)</li> </ul>
Er -12 I-det. Circuit	Ошибка измерения тока <ul style="list-style-type: none"> <li>Значение тока превысило величину номинального тока двигателя.</li> <li>Обрыв фазы на какой-либо из клемм U/T1, V/T2 и W/T3.</li> </ul>	Проверьте подключение цепей инвертора и монтаж.
Er -13 Ошибка измерения индуктивности рассеяния	Ошибка измерения индуктивности рассеяния Значение, полученное в результате автонастройки, превышает допустимый диапазон.	Проверьте цепи двигателя.
End -1 V/f Over Setting	Ошибка настройки номинального тока Отображается после завершения автонастройки Во время автонастройки измеренное значение номинального тока двигателя (E2-01) было выше заданного значения.	Проверьте значение номинального тока двигателя.
End -2 Saturation	Ошибка насыщения сердечника двигателя (только при автонастройке с вращением)	<ul style="list-style-type: none"> <li>Проверьте введенные значения</li> <li>Проверьте цепи двигателя.</li> <li>Если двигатель механически связан с нагрузкой, отсоедините его от нагрузки.</li> </ul>
End -3 Rated FLA Alm	Ошибка настройки номинального тока Во время автонастройки измеренное значение номинального тока двигателя (E2-01) было выше заданного значения.	Проверьте значение номинального тока двигателя