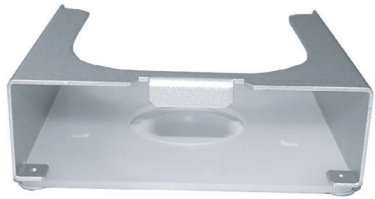


OMRON

Model FZ-SLC100-DL DIFFUSION BOARD FOR FZ-SLC100

INSTRUCTION SHEET

Thank you for selecting this OMRON product. This Instruction Sheet primarily describes precautions required in installing and operating the product. Be sure to read this Instruction Sheet thoroughly and understand its contents before using the product, to ensure that you use it safely and correctly. After reading the Instruction Sheet, keep it in a convenient place for future reference.



© OMRON Corporation 2006 All Rights Reserved.

Specifications

General Specifications

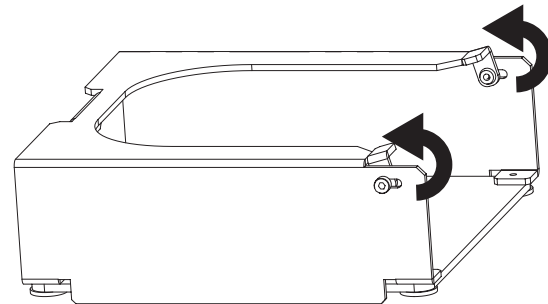
Item	FZ-SLC100-DL
Vibration resistance	10 to 150 Hz, half-amplitude: 0.35 mm (maximum acceleration: 50 m/s ²) 10 times for 8 minutes each in 3 directions
Shock resistance	150 m/s ² , 3 times each in 6 directions
Ambient temperature	Operating: 0 to 50°C (with no icing or condensation) Storage: -25 to 60°C (with no icing or condensation)
Ambient humidity	Operating and storage: 35% to 85% (with no condensation)
Ambient environment	No corrosive gases
Materials	Diffusion Board: PMMA Illumination cover: Aluminum alloy
Weight	Approx. 70 g

Performance Specifications

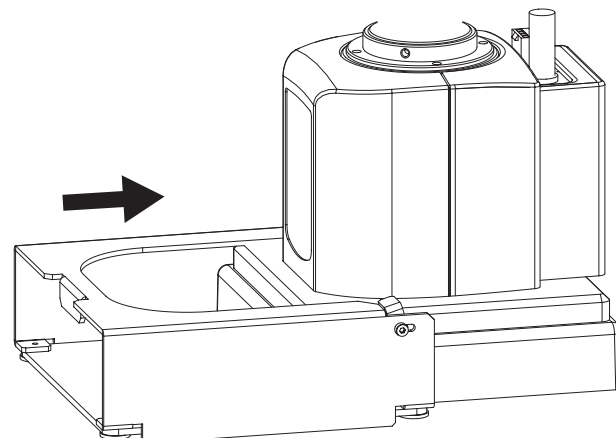
Item	FZ-SLC100-DL
Transmittance	87% (typical value)

Installation

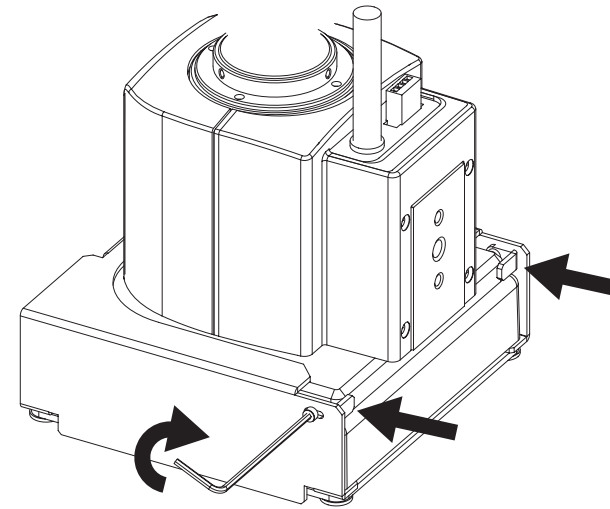
1. Loosen the screws of the mounting brackets and turn the brackets that will not catch when the Diffusion Board is installed.



2. Place the Diffusion Board on the illumination part of the FZ-SLC100. To prevent scratching the Diffusion Board, do not allow the white translucent panel to come into contact with the FZ-SLC100.

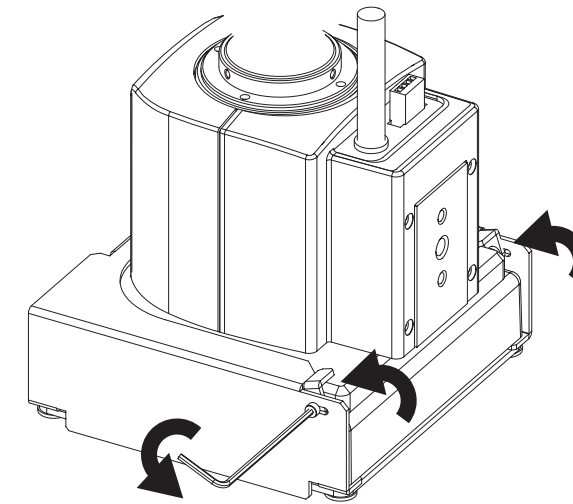


3. Rotate the mounting brackets to secure the FZ-SLC100 illumination. Securely tighten the screws of the mounting brackets. (Recommended torque: 0.25 N·m)

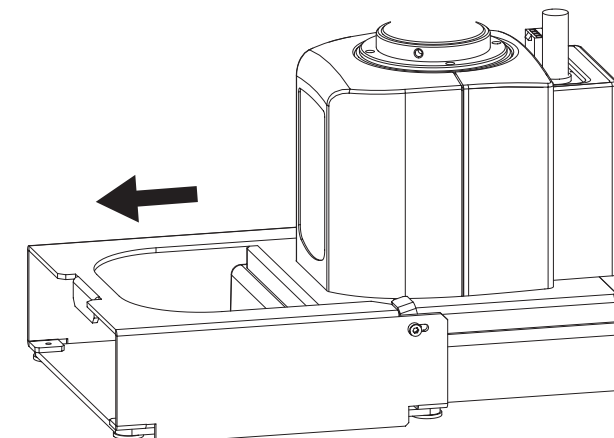


Removal

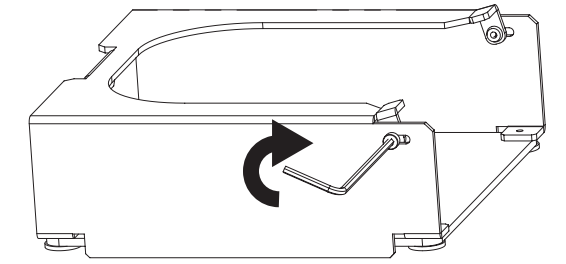
1. Loosen the screws of the mounting brackets and turn the brackets so that they will not catch on the illumination part of the FZ-SLC100.



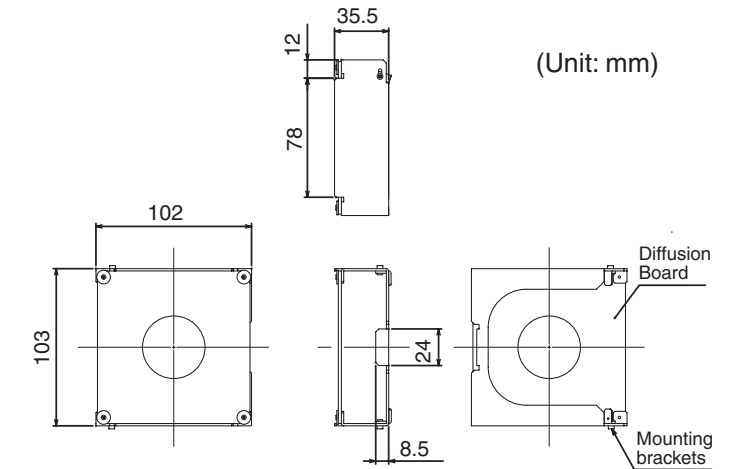
2. Remove the Diffusion Board from the FZ-SLC100. To prevent scratching the Diffusion Board, do not allow the white translucent panel to come into contact with the FZ-SLC100.



3. Securely tighten the screws of the mounting brackets.



Dimensions



Suitability for Use

THE PRODUCTS CONTAINED IN THIS SHEET ARE NOT SAFETY RATED. THEY ARE NOT DESIGNED OR RATED FOR ENSURING SAFETY OF PERSONS, AND SHOULD NOT BE RELIED UPON AS A SAFETY COMPONENT OR PROTECTIVE DEVICE FOR SUCH PURPOSES. Please refer to separate catalogs for OMRON's safety rated products.

OMRON shall not be responsible for conformity with any standards, codes, or regulations that apply to the combination of the products in the customer's application or use of the product.

Take all necessary steps to determine the suitability of the product for the systems, machines, and equipment with which it will be used. Know and observe all prohibitions of use applicable to this product.

NEVER USE THE PRODUCTS FOR AN APPLICATION INVOLVING SERIOUS RISK TO LIFE OR PROPERTY WITHOUT ENSURING THAT THE SYSTEM AS A WHOLE HAS BEEN DESIGNED TO ADDRESS THE RISKS, AND THAT THE OMRON PRODUCT IS PROPERLY RATED AND INSTALLED FOR THE INTENDED USE WITHIN THE OVERALL EQUIPMENT OR SYSTEM.

See also Product catalog for Warranty and Limitation of Liability.

EUROPE

OMRON EUROPE B.V. Sensor Business Unit
Carl-Benz Str.4, D-71154 Nufringen Germany
Phone: 49-7032-811-0 Fax:49-7032-811-199

NORTH AMERICA

OMRON ELECTRONICS LLC
One Commerce Drive Schaumburg, IL 60173-5302 U.S.A
Phone: 1-847-843-7900 Telephone Consultation
1-800-55-OMRON Fax: 1-847-843-7787

ASIA-PACIFIC

OMRON ASIA PACIFIC PTE LTD
83 Clemenceau Avenue, #11-01 UE Square, Singapore
239920 Phone: 65-6-835-3011/Fax: 65-6-835-2711

OMRON Corporation

PRECAUTIONS FOR SAFE USE

Observe the following precautions to ensure safe use of the Diffusion Board.

1. Installation Conditions

- To ensure safety in operation and maintenance, do not install the Diffusion Board close to high-voltage equipment or power equipment.
- Tighten all screws securely during installation.

2. Other Precautions

- Do not attempt to disassemble, repair, or modify the Diffusion Board.
- If you suspect an error or malfunction, stop using the Diffusion Board immediately and consult your OMRON representative.
- When disposing of the Diffusion Board, dispose of it as industrial waste.

PRECAUTIONS FOR CORRECT USE

Observe the following precautions to prevent operating failures, malfunctions, and other undesirable effects on performance or function.

1. Installation and Removal

- Be sure to turn OFF the power supply for the illumination and Controller before installing or removing the Diffusion Board.

2. Static Electricity

- White LEDs are used for the illumination. White LEDs are easily damaged by static electricity. A grounded wrist strap should thus be used when installing or conducting maintenance on the Diffusion Board.

3. Cleaning

- Do not use thinners, benzene, acetone, alcohol, or kerosene to clean the Diffusion Board.
- To clean the surface, wipe it gently with a soft cloth.