

OMRON

Model FZ-SZC15

AUTOMATIC FOCUS CAMERA FOR MODEL FZ VISUAL INSPECTION SYSTEM

INSTRUCTION SHEET

Thank you for selecting OMRON product. This sheet primarily describes precautions required in installing and operating the product.

Before operating the product, read the sheet thoroughly to acquire sufficient knowledge of the product. For your convenience, keep the sheet at your disposal.



© OMRON Corporation 2007 All Rights Reserved.

PRECAUTIONS ON SAFETY

● Meanings of Signal Words

⚠ WARNING

Indicates a potentially hazardous situation which, if not avoided, will result in minor or moderate injury, or may result in serious injury or death. Additionally there may be significant property damage.

⚠ CAUTION

Indicates a potentially hazardous situation which, if not avoided, may result in minor or moderate injury or in property damage.

● Alert statements

⚠ WARNING

To ensure safety, do not use this product for direct or indirect detection of data from human body. Do not use this product as a sensing device for the protection of the human body.



PRECAUTIONS FOR SAFE USE

Observe the following precautions to ensure safe use of the Camera.

1. Installation Site

Do not install the product in locations subjected to the following conditions:

- Ambient temperature outside the rating
- Rapid temperature fluctuations (causing condensation)
- Relative humidity outside the range of 35 to 85%
- Presence of corrosive or flammable gases
- Presence of dust, salt, or metallic particles
- Direct vibration or shock
- Reflection of intense light (such as other laser beams or electric arc-welding machines)
- Direct sunlight or near heaters
- Water, oil, or chemical fumes or spray
- Strong magnetic or electric field
- Near high-voltage equipment or power equipment

2. Handling the Camera
 - Tighten all screws securely during installation.
3. Other Precautions
 - Do not use unspecified camera cable other than those that specified in this manual with the FZ controller. Connection with unspecified camera cable and/or strobe controller may malfunction at the worst case.
 - When the connector on the back of the camera is not in use, be sure to cover the connector with the attached cap.
 - Do not attempt to disassemble, repair, or modify the Camera.
 - If you notice any abnormality in the Camera, stop using it immediately, turn OFF the power supply, and contact your OMRON sales representative.
 - When disposing of the Camera, dispose of it as industrial waste.

PRECAUTIONS FOR CORRECT USE

Observe the following precautions to prevent the product from malfunctioning, becoming inoperable, or the performance and/or the device from being adversely affected:

1. Cable
 - Use a Camera Cable designed specifically for the Controller.
 - Be sure to turn off the power before connecting or disconnecting the cables.
2. Optical axis
 - The center of the optical axis may disperse by camera. When mounting a camera, always check the central position of video images with a monitor.
 - The center of CCD and the optical axis of the lens are aligned to the direction of the camera at time of shipment. When the camera direction is changed, the gap of center of optical axis may become large.
3. Maintenance
 - Do not use thinners, benzene, acetone, kerosene to clean the Camera.
 - Wipe off stubborn stains carefully with a piece of soft cloth that has been wetted with a trace quantity of alcohol. Scratches on the front Panel may cause errors.
 - If large dust particles adhere to the front Panel of the Sensor Head, use a blowerbrush (used to clean camera lenses) to blow them off. Do not blow the dust particles with your mouth.
4. Magnification
 - To avoid collisions of inside lens, maximum value for magnification setting varies in relation to the focusing value. If magnification is not sufficient, adjust the working distance.

Accessories

Main unit, instruction sheet (this manual) and hexagonal wrench

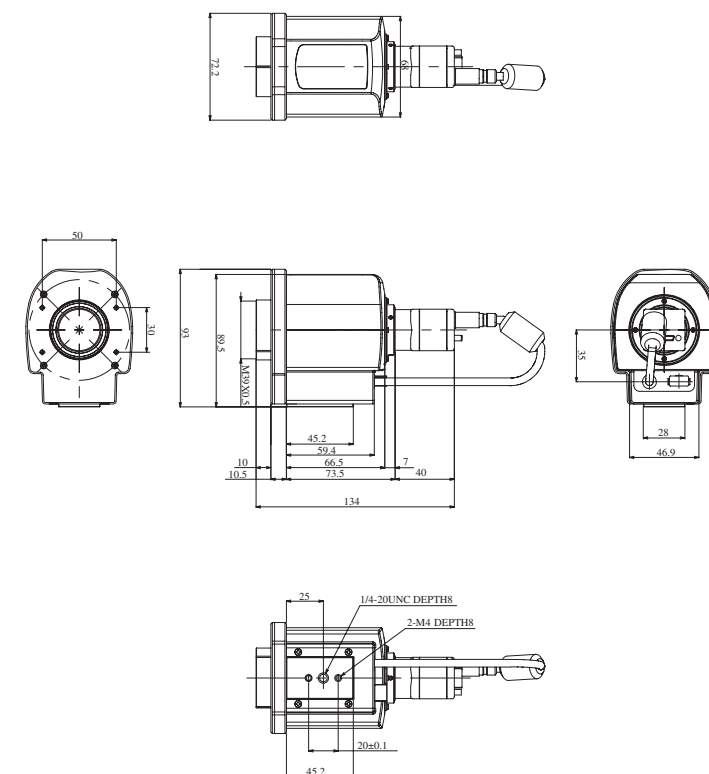
General specifications

Item	FZ-SZC15
Power consumption	14.4 W maximum. (12 VDC, 1.2 A maximum)
Vibration resistance	10 to 150 Hz, half-amplitude : 0.35 mm (maximum acceleration 50 m/s ²) 10 times each in X,Y and Z directions for 8 min
Shock resistance	150 m/s ² , 3 times each in 6 directions (up/down, left/right, forward/backward)
Ambient Temperature	Operating : 0 to 50 °C (with no icing or condensation) Storage : -25 to 65 °C (with no icing or condensation)
Ambient humidity	Operating and storage : 35 to 85 % (with no condensation)
Ambient environment	No corrosive gases
Degree of protection	IEC60529 IP20
Material	Cover for camera : Galvanized steel sheet metal Case for camera : Aluminum alloy Cover for lens : ABS Mount base : Aluminum alloy
Cable length	Maximum 5 m(FZ-VS□)
Weight	Approx. 500 g (including base).

Performance specifications

Item	FZ-SZC15	
Camera specifications	Picture element	1/3-inch interline color CCD (reading all pixels)
	Effective pixels	659 (H) x 494 (V)
	Pixel size	7.4 (μm) x 7.4 (μm)
	Scanning method	Non-interlace mode
	Vertical frequency	80.600Hz
	Horizontal frequency	39.336KHz
	Pixel frequency	30.682MHz
	Number of lines to be read	12 lines to 480 lines
	Synchronization	Internal synchronization
	Video output	Digital, 10 bit
Gain	0dB to +13dB	
Shutter speed	1/10 to 1/50000s	
Lens	Operating system	Electrically driven magnification, focusing and iris
	Zoom	Vari-focal
	Range of view	2.9mm to 14.9 mm, with tolerance +/- 5% maximum
	Working distance	47.5 mm to 67.5 mm
	Resolution	480 TV minimum
	F value	Minimum: F3.4 (W-end) to F10.9 (T-end)Range of W-end : 3.4 to 9.9
	Motor durability (One(1) time is equivalent to one (1) reciprocating motion)	Magnification and focusing: 10,000 times minimum Iris: 20,000 times minimum
Illumination	Connected illumination	"MG-Wave" series by Moritex Co. product.
	Amperage rating	0.7A or less
	Cable length	Maximum 5 m(Model M-RCB40□L by Moritex Co.product.)

Dimensions



(Unit: mm)

Suitability for Use

THE PRODUCTS CONTAINED IN THIS SHEET ARE NOT SAFETY RATED. THEY ARE NOT DESIGNED OR RATED FOR ENSURING SAFETY OF PERSONS, AND SHOULD NOT BE RELIED UPON AS A SAFETY COMPONENT OR PROTECTIVE DEVICE FOR SUCH PURPOSES. Please refer to separate catalogs for OMRON's safety rated products.

OMRON shall not be responsible for conformity with any standards, codes, or regulations that apply to the combination of the products in the customer's application or use of the product.

Take all necessary steps to determine the suitability of the product for the systems, machines, and equipment with which it will be used. Know and observe all prohibitions of use applicable to this product.

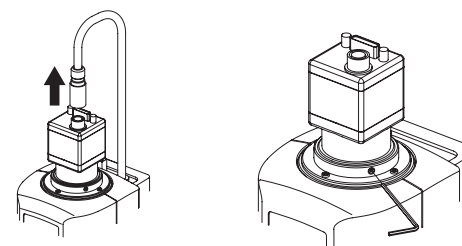
NEVER USE THE PRODUCTS FOR AN APPLICATION INVOLVING SERIOUS RISK TO LIFE OR PROPERTY WITHOUT ENSURING THAT THE SYSTEM AS A WHOLE HAS BEEN DESIGNED TO ADDRESS THE RISKS, AND THAT THE OMRON PRODUCT IS PROPERLY RATED AND INSTALLED FOR THE INTENDED USE WITHIN THE OVERALL EQUIPMENT OR SYSTEM.

See also Product catalog for Warranty and Limitation of Liability.

When changing camera direction

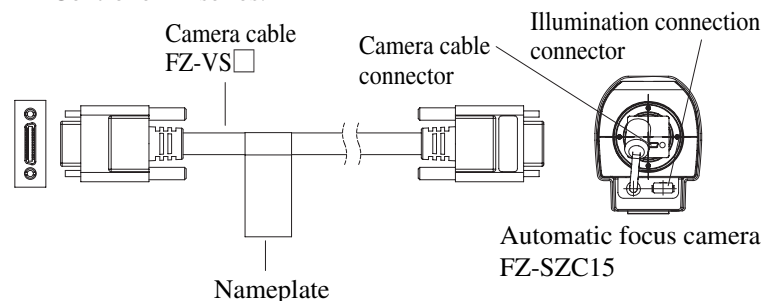
Make adjustment after disconnecting cable from the connector.

Loosen 3 screws located on the ring portion in the figure below using the attached hexagonal wrench. Turn the ring to adjust the direction. After adjustment, tighten the screws securely.



Connection

(1) Using the Camera cable FZ-VS□(sold separately), connect the connector on the back of the camera and the camera connector on Controller FZseries.



※ The camera cable (FZ-VS,FZ-VSL,FZ-VSB) is polarized, so, make sure that the end bearing a nameplate is connected to the Controller FZseries.

■ EUROPE

OMRON EUROPE B.V. Sensor Business Unit
Carl-Benz Str.4, D-71154 Nufringen Germany
Phone:49-7032-811-0 Fax: 49-7032-811-199

■ NORTH AMERICA

OMRON ELECTRONICS LLC
One Commerce Drive Schaumburg,IL 60173-5302 U.S.A
Phone:1-847-843-7900 Telephone Consultation
1-800-55-OMRON Fax : 1-847-843-7787

■ ASIA-PACIFIC

OMRON ASIA PACIFIC PTE LTD
83 Clemenceau Avenue,#11-01 UE Square,Singapore 239920
Phone : 65-6-835-3011 /Fax :65-6-835-2711

OMRON Corporation