

Smart Sensors (Inductive Displacement Type)

ZX-E Series

Smart Sensors that use the eddy current method are now available. Develop new applications with sub-micron sensing technology.



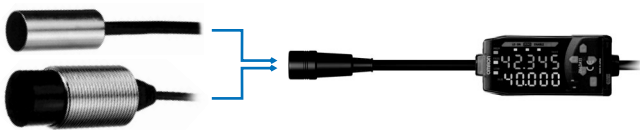
Features

Designed to meet your measurement needs

What's innovative about the ZX-E sensor is that the same amplifier unit can be attached to any one of five sensor heads; It's simply a matter of selecting the sensor head that best suits your measurement application. And there's total compatibility between all sensor heads and the amplifier, making maintenance quick and easy.

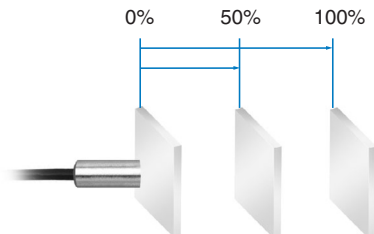
Plug & Play Concept

All sensor heads are fully compatible to the amplifier unit and can be selected based on application. Also for maintenance reason it is more efficient and cost saving to replace only the sensor head.



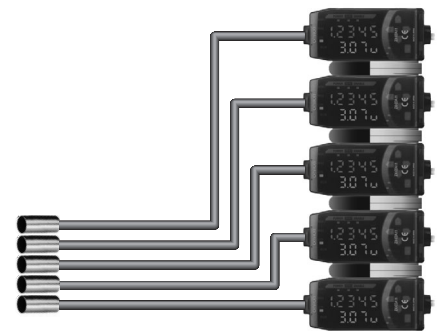
Simply Linearity Adjustment

With the ZX-E it is possible to adjust the linearity of the sensor for different types of metals, ferrous and non-ferrous. Using Omron's patented Linearity Adjustment Function you can perform a teaching function at 0%, 50% and 100% of the measurement distance from the object to the sensor head. The amplifier then confirms the result. This feature greatly reduces setting time.



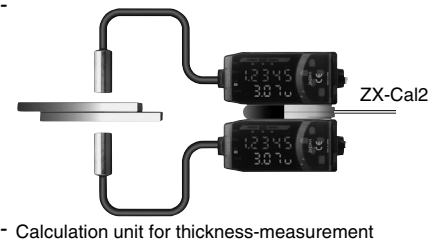
Mutual interference prevention function

Up to five sensors can be combined very closely together without any mutual interference occurring between them. This is achieved by placing a calculating unit (ZX-CAL2) between each sensor. With this unique feature multiple measurements can be made in a machine or a process.



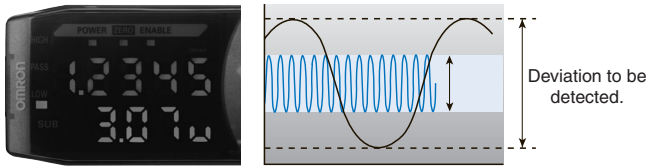
Smart calculation function

By inserting a 'calculation unit' (ZX-CAL2) between two amplifiers the thickness and difference measurements are easily obtained, and these results will be displayed on the amplifier. This technology, patented by Omron, eliminates the need for connecting a digital panel meter and the troubles one wiring and setting up associated with it.



Easy-to-read resolution display

With Omron's resolution display function (patent pending), the resolution based on the object being measured is displayed and can be verified in realtime. It is easy to learn the margin for threshold values with this resolution display, allowing accurate judgments on whether or not detection is possible.

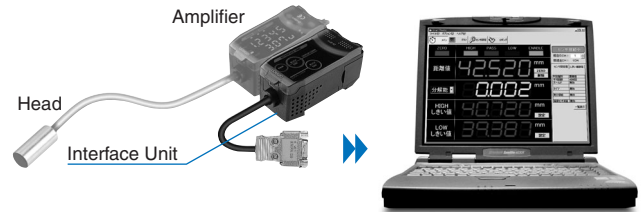


Easy-to-see resolution (patent pending)

Intelligent Communication

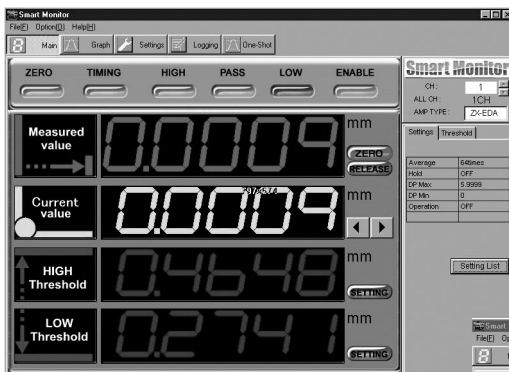
SmartMonitor V2 software makes sensor set-up easier! With Omron's interface unit and SmartMonitor V2 software the ZX-E sensor can be easily connected to a Notebook or PC. The software is ideal for quickly and easily setting up parameters and values via the menu screen from a PC or using the serial port of a PLC. It offers full visualisation of all measured values on the spot. Threshold settings can be done using the Position Teach feature or by entering the values directly. All parameters and

modes can be changed within seconds and interrupt time is kept to a minimum, which is very important in production processes. In addition, all settings can be saved on a computer, and reloaded based on production requirements.

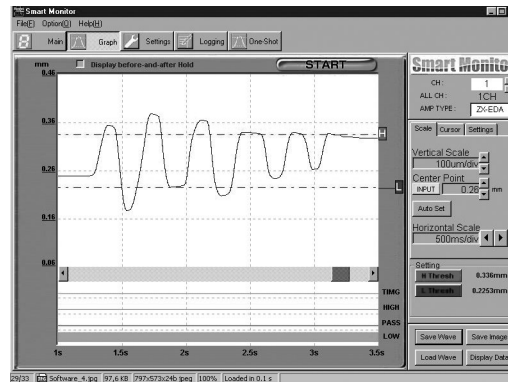


Smart Monitor software tool enables easy system set-up via PC or Notebook

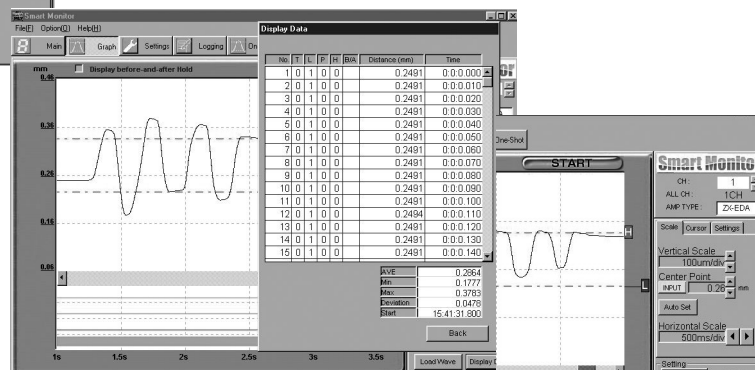
Data logging results can be processed using SmartMonitor V2 software and stored automatically (as an Excel csv file) for quality control information, leading to smoother production runs. Data can also be displayed in waveform during logging. Waveforms can be easily monitored and threshold values set simply by dragging a dropping. High-speed waveforms can be obtained and displayed in a one-shot operation. This innovative feature is ideal for use in high-speed processes, where the software can be used to generate a waveform.



Visualisation and monitoring of all saved data



Wave form monitoring



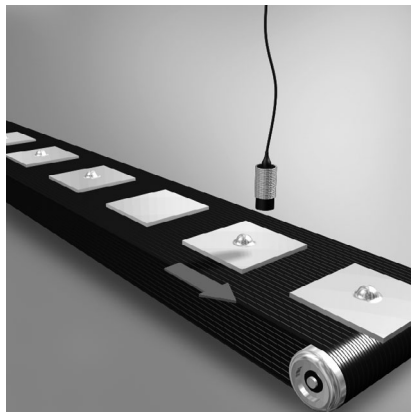
Data logging and processing

Threshold setting by drag & drop graphic function

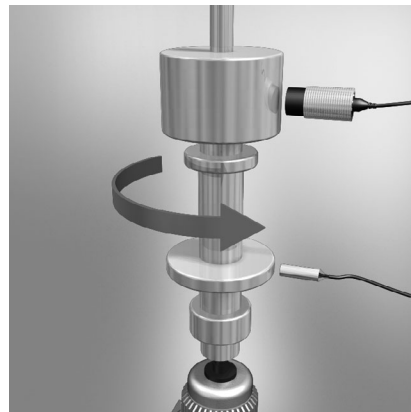
Application



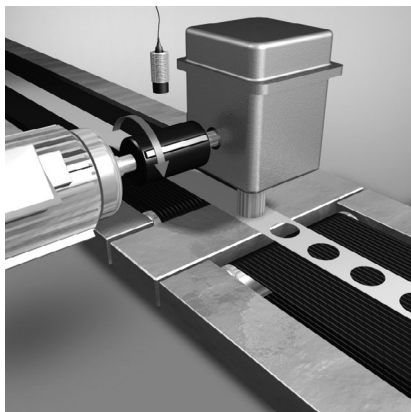
Minute gap detection



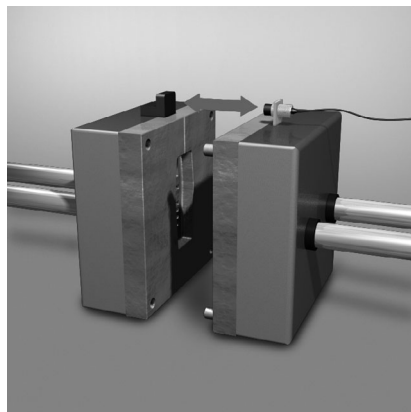
Height and step detection



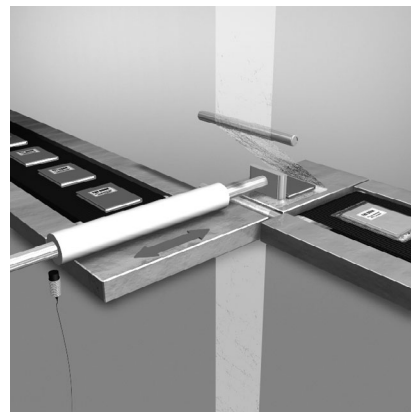
Eccentricity and vibration



Cutter control



Injection Moulding



Vertical packaging

ZX-E Series

Ordering Information

Sensors


Sensor Heads

Shape	Dimensions	Sensing distance	Accuracy *1	Model
Cylindrical	3 dia. x 18 mm	0.5 mm	1 μm	ZX-EDR5T
	5.4 dia. x 18 mm	1 mm		ZX-ED01T *2
	8 dia. x 22 mm	2 mm		ZX-ED02T *2
Screw-shaped	M10 x 22 mm	2 mm		ZX-EM02T *2
	M18 x 46.3 mm	7 mm		ZX-EM07MT *2

*1: For an average count of 4,096.

*2: Models with Protective Spiral Tubes are also available. Add a suffix of “-S” to the above model numbers when ordering.
(Example: ZX-ED01T-S)


Amplifier Units

Appearance	Power supply	Output type	Model
	DC	NPN	ZX-EDA11
		PNP	ZX-EDA41

Note: Compatible connection with the Sensor Head.



Accessories (Order Separately)

Calculating Unit



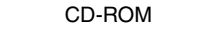
Appearance	Model
	ZX-CAL2 *

*Calculating Units are required to connect three or more Sensors.

Amplifier Mounting Brackets

Appearance	Model	Remarks
	ZX-XBE1	Attached to each Sensor Head
	ZX-XBE2	For DIN track mounting

SmartMonitor Sensor Setup Tool for Personal Computer Connection

Appearance	Name	Model
	ZX-series Communications Interface Unit	ZX-SF11
	ZX-series Communications Interface Unit + Setup Software	ZX-SFW11EV3
	ZX-series Sensor Setup and Logging Software	ZX-SW11EV3

Cables with Connectors on Both Ends (for Extension)

Cable length	Model	Quantity
1 m	ZX-XC1A	1
4 m	ZX-XC4A	
8 m	ZX-XC8A	

Specifications

Sensor Heads

Model		ZX-EDR5T	ZX-ED01T	ZX-ED02T/EM02T	ZX-EM07MT
Measurement range		0 to 0.5 mm	0 to 1 mm	0 to 2 mm	0 to 7 mm
Sensing object		Magnetic metals (Measurement ranges and linearities are different for non-magnetic metals. Refer to <i>Engineering Data</i> on B-67.)			
Standard reference object		18×18×3 mm		30×30×3 mm	60×60×3 mm
		Material: ferrous (S50C)			
Accuracy *1		1 μm			
Linearity *2		±0.5% F.S.			
Linear output range		Same as measurement range.			
Temperature characteristic *3 (including Amplifier Unit)		0.15% F.S./°C	0.07% F.S./°C		
Ambient temperature	Operating	0 to 50° C (with no icing or condensation)	-10 to 60° C (with no icing or condensation)		
	Storage	0 to 50° C (with no icing or condensation)	-20 to 70° C (with no icing or condensation)		
Ambient humidity		Operating and storage: 35% to 85% (with no condensation)			
Insulation resistance		50 MΩ min. (at 500 DC)			
Dielectric strength		1,000 VAC, 50/60 Hz for 1 min between charged parts and case			
Vibration resistance (destruction)		10 to 55 Hz with 1.5-mm double amplitude for 2 h each in X, Y, and Z directions			
Shock resistance (destruction)		500 m/s ² , 3 times each in X, Y, and Z directions			
Degree of protection (Sensor Head)		IEC60529, IP65	IEC60529, IP67		
Connection method		Connector relay (standard cable length: 2 m)			
Weight (packed state)		Approx. 120 g	Approx. 140 g		Approx. 160 g
Materials	Sensor Head	Case	Brass	Stainless steel	Brass
		Sensing surface	Heat-resistant ABS		
	Pre-amplifier	PES			
Accessories		Amplifier Mounting Brackets (ZX-XBE1), Instruction Manual			

*1:Accuracy: The resolution is the deviation ($\pm 3\sigma$) in the linear output when connected to the ZX-EDA Amplifier Unit. The above values indicate the deviations observed 30 minutes after the power is turned ON.

(The resolution is measured with OMRON's standard reference object at 1/2 of the measurement range with the ZX-EDA set for the maximum average count of 4,096 per period.)

The resolution is given at the repeat accuracy for a stationary workpiece, and is not an indication of the distance accuracy. The resolution may be adversely affected under strong electromagnetic fields.

*2: Linearity: The linearity is given as the error in an ideal straight line displacement output when measuring the standard reference object. The linearity and measurement values vary with the object being measured.

*3: Temperature characteristic: The temperature characteristic is measured with OMRON's standard reference object at 1/2 of the measurement range.

Amplifier Units

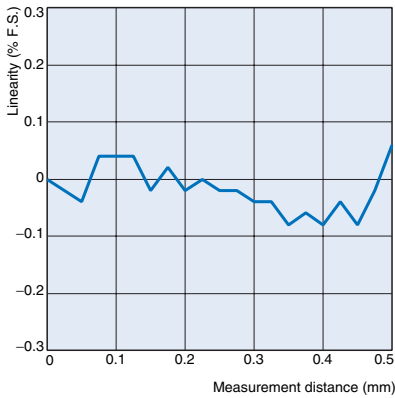
Model	ZX-EDA11	ZX-EDA41
Measurement period	150 μs	
Possible average count settings *1	1, 2, 4, 8, 16, 32, 64, 128, 256, 512, 1,024, 2,048, or 4,096	
Linear output *2	Current output: 4 to 20 mA/F.S., Max. load resistance: 300 Ω Voltage output: ±4 V (±5 V, 1 to 5 V *3), Output impedance: 100 Ω	
Judgement outputs (3 outputs: HIGH/PASS/LOW)	NPN open-collector outputs, 30 VDC, 50 mA max. Residual voltage: 1.2 V max.	PNP open-collector outputs, 30 VDC, 50 mA max. Residual voltage: 2 V max.
Zero reset input, timing input, reset input, judgement output hold input	ON: Short-circuited with 0-V terminal or 1.5 V or less OFF: Open (leakage current: 0.1 mA max.)	ON: Supply voltage short-circuited or supply voltage within 1.5 V OFF: Open (leakage current: 0.1 mA max.)
Function	<ul style="list-style-type: none"> - Measurement value display - Linearity adjustment (materials selection) - Display reverse - Number of display digit changes - Bottom hold, peak-to-peak hold - Average hold - Initial reset - OFF-delay timer - Non-measurement setting - Automatic teaching - Reset input - Linear output correction - K-(A+B) calculation *4 - Sensor disconnection detection - Key lock 	
Indications	<ul style="list-style-type: none"> - Set value/output value/resolution display - Scaling - Display OFF mode - Sample hold - Self-peak hold - Delay hold - Linearity initialization - One-shot timer - Direct threshold value setting - Hysteresis width setting - Judgement output hold input - (A-B) calculations *4 - Mutual interference prevention *4 - Zero reset memory - Zero reset indicator 	
Indications	Judgement indicators: High (orange), pass (green), low (yellow), 7-segment main digital display (red), 7-segment sub-digital display (yellow), power ON (green), zero reset (green), enable (green)	
Voltage influence (including Sensor)	0.5% F.S. of linear output value at ±20% of power supply voltage	
Power supply voltage	12 to 24 VDC ±10%, Ripple (p-p): 10% max.	
Current consumption	140 mA max. with power supply voltage of 24 VDC (with Sensor connected)	
Ambient temperature	Operating and storage: 0 to 50° C (with no icing or condensation)	
Ambient humidity	Operating and storage: 35% to 85% (with no condensation)	
Insulation resistance	20 MΩ min. (at 500 DC)	
Dielectric strength	1,000 VAC, 50/60 Hz for 1 min	
Vibration resistance (destruction)	10 to 150 Hz with 0.7-mm double amplitude for 80 min each in X, Y, and Z directions	
Shock resistance (destruction)	300 m/s ² , 3 times each in 6 directions (up, down, left, right, forward, backward)	
Connection method	Prewired (standard cable length: 2 m)	
Weight (packed state)	Approx. 350 g	
Materials	Case: PBT (polybutylene terephthalate), Cover: Polycarbonate	
Accessories	Instruction Manual	

*1: The response speed of the linear output is calculated as the measurement period × (average count setting + 1) (with fixed sensitivity).
The response speed of the judgement outputs is calculated as the measurement period × (average count setting + 1) (with fixed sensitivity).
*2: The output can be switched between a current output and voltage output using a switch on the bottom of the Amplifier Unit.
*3: Setting is possible via the monitor focus function.
*4: A Calculating Unit (ZX-CAL or ZX-CAL2) is required.

Engineering Data (Typical)

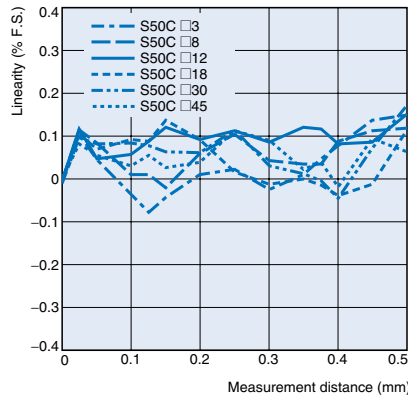
Measurement Distance vs. Linearity (with Linearity Adjusted for Standard Sensing Object)

ZX-EDR5T



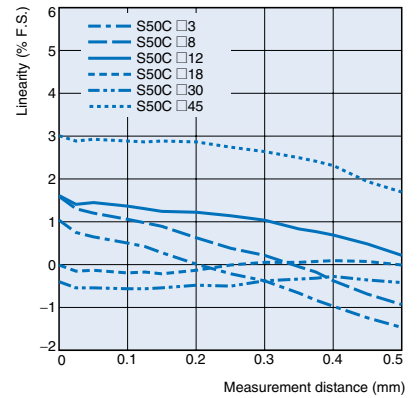
Size of Sensing Object vs. Linearity (with Linearity Adjusted for Each Sensing Object)

ZX-EDR5T

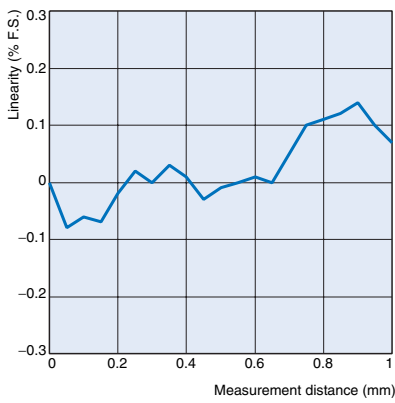


Size of Sensing Object vs. Linearity (with Linearity Adjusted for Standard Sensing Object)

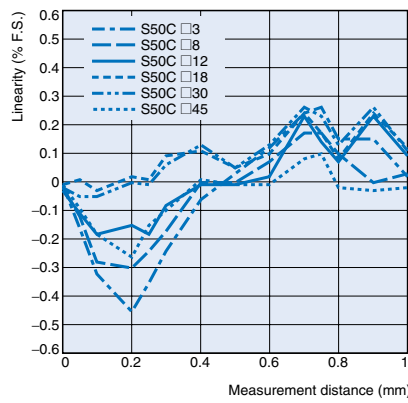
ZX-EDR5T



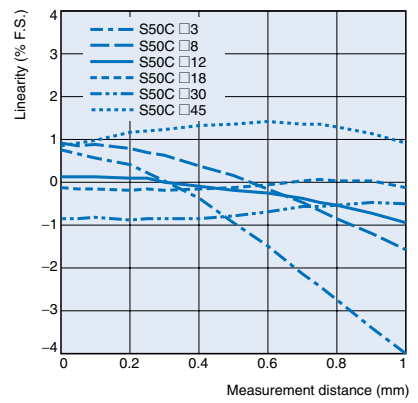
ZX-ED01T



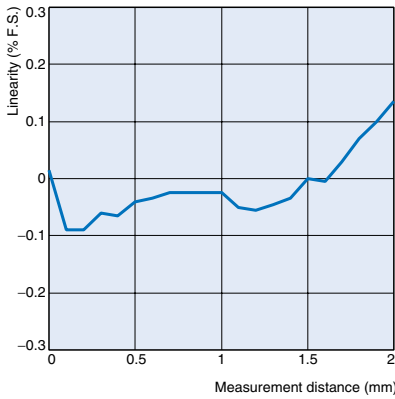
ZX-ED01T



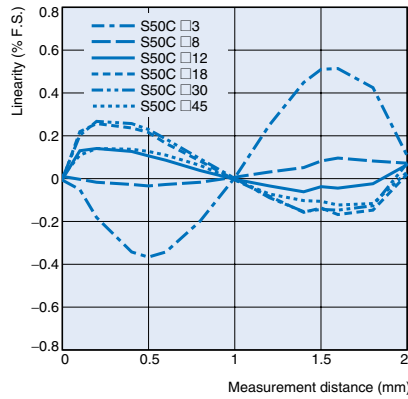
ZX-ED01T



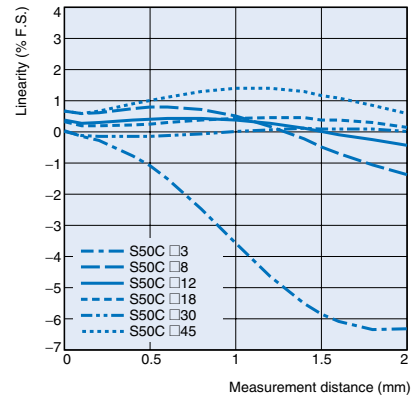
ZX-ED02T/ZX-EM02T



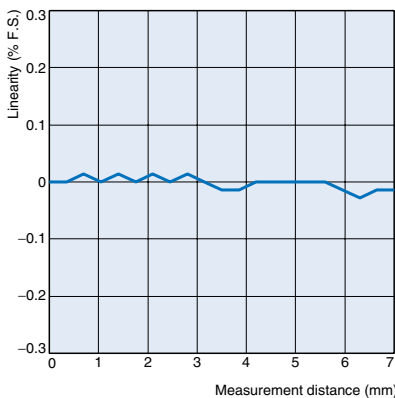
ZX-ED02T/ZX-EM02T



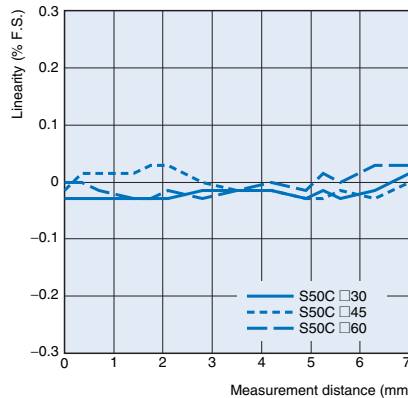
ZX-ED02T/ZX-EM02T



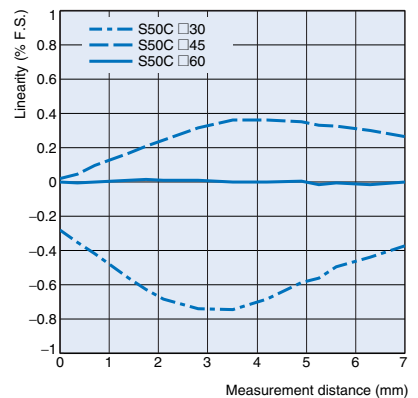
ZX-EM07MT



ZX-EM07MT

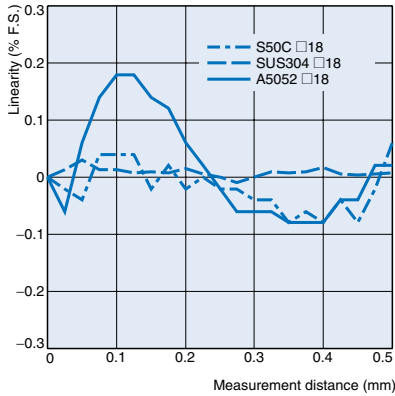


ZX-EM07MT

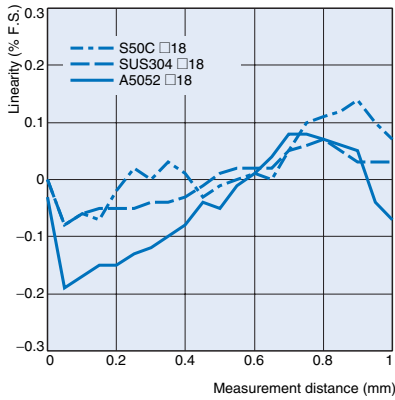


**Material of Sensing Object vs. Linearity
(with Linearity Adjusted for Each Sensing Object)**

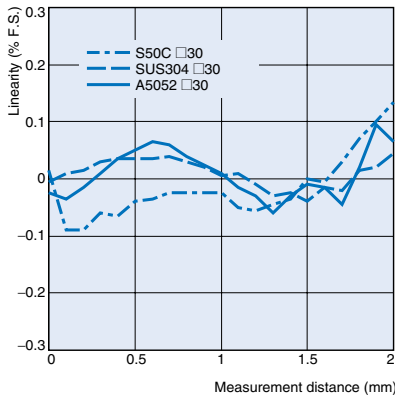
ZX-EDR5T



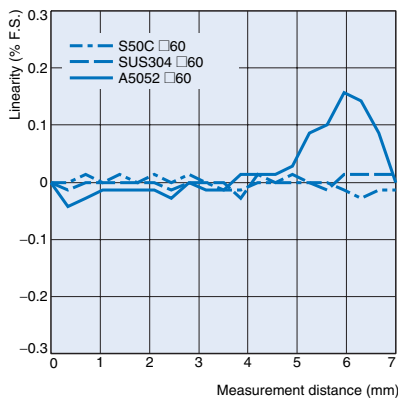
ZX-ED01T



ZX-ED02T/ZX-EM02T

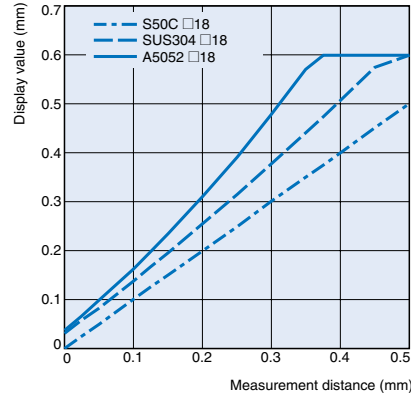


ZX-EM07MT

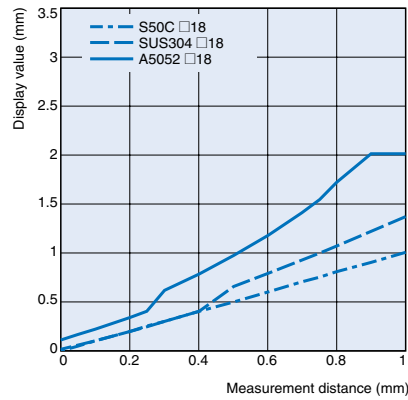


**Material of Sensing Object vs. Linearity
(with Linearity Adjusted for Standard Sensing Object and Iron)**

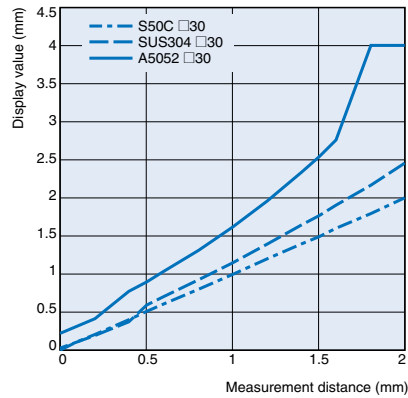
ZX-EDR5T



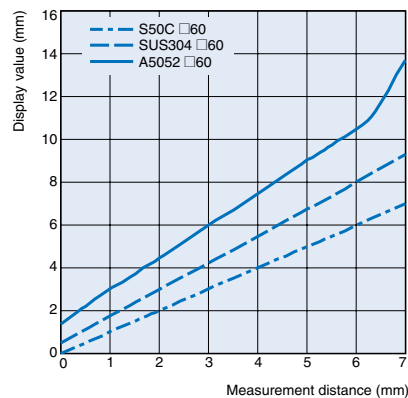
ZX-ED01T



ZX-ED02T/ZX-EM02T

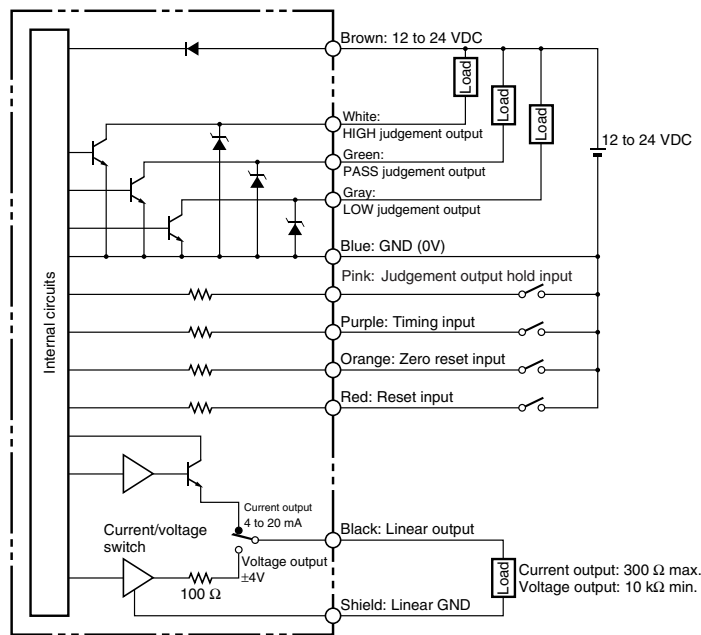


ZX-EM07MT

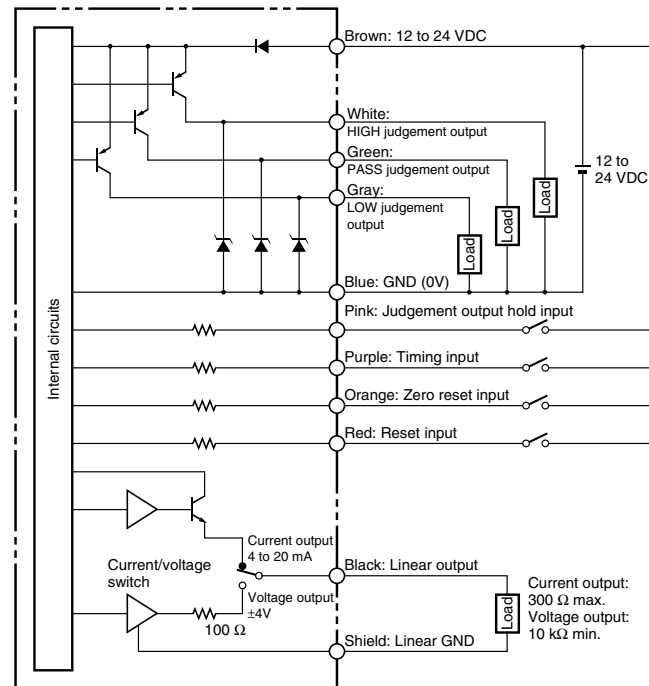


I/O Circuit Diagrams

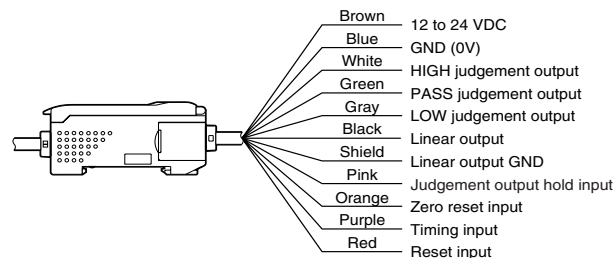
NPN Amplifier Unit: ZX-EDA11



PNP Amplifier Unit: ZX-EDA41



Connections: Amplifier Unit

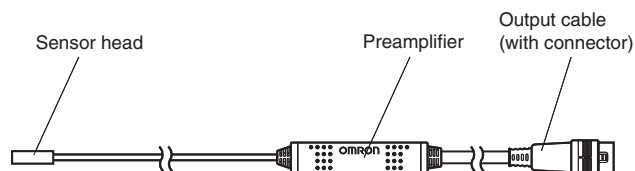


- Note 1.** Use a separate stabilized power supply for the Amplifier Unit, particularly when high resolution is required.
- 2.** Wire the Unit correctly. Incorrect wiring may result in damage to the Unit. (Do not allow wiring, particularly the linear output, to come into contact with other lines.)
- 3.** Use the blue (0-V) line for the power supply and use the shield wire (linear output ground) together with the black (linear output) line for linear output. Each of these grounds must be used for the designed purpose. When not using the linear output, connect the linear output ground to the 0-V ground.

Part Names

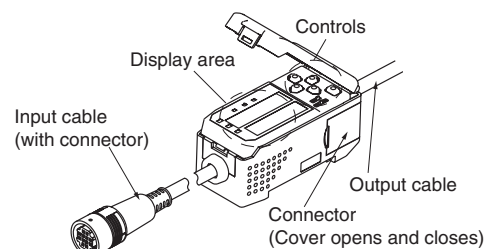
Sensors

ZX-EDR5T
 ZX-ED01T
 ZX-ED02T
 ZX-EM02T
 ZX-EM07MT



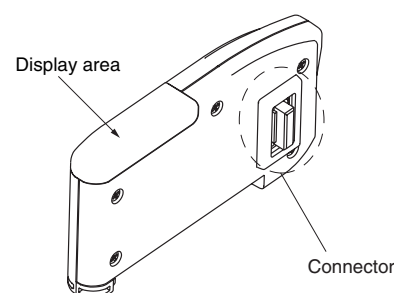
Amplifier Units

ZX-EDA11
 ZX-EDA41



Calculating Unit

ZX-CAL / ZX-CAL2



Precautions

Design Precautions

Conform to the specified ratings and performance. Refer to *page B-65 Specifications* for details.

Objects of certain materials or shapes may not be detectable, or the detection accuracy may not be sufficiently high.

Environment

Do not operate the product in locations subject to flammable or explosive gases.

In order to ensure safe operation and maintenance, do not install the product in the vicinity of high-voltage devices or power equipment.

Wiring

Do not use the product at voltages exceeding the rated values. Doing so may result in damage.

Do not connect the product to an AC power supply or connect the power supply in reverse.

Do not short-circuit the load for open-collector output.

Do not lay the power cable for the product together with or in the same duct as high-voltage lines or power lines. Doing so may result in incorrect operation or damage due to induction.

Do not connect or disconnect connectors while the power is ON. Doing so may result in damage.

Adjustment

Setting

When setting threshold values, ensure that the Amplifier Unit's judgement output hold input line is ON so that there is no judgement output to external devices.

Other Precautions

Do not attempt to disassemble, repair, or modify the product. Dispose of the product using standard procedures for industrial waste.

These Sensors are not compatible with the ZX-L□□ Smart Sensors (laser type). Do not connect combinations of ZX-E□□ Smart Sensors and ZX-L□□ Smart Sensors.

Correct Use

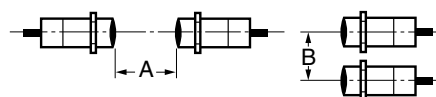
Design Precautions

Power Supplies

Allow a warm-up period of approximately 30 minutes after turning ON the power supply.

Mutual Interference

Up to 5 Sensor Heads can be used together by connecting the ZX-CAL/ZX-CAL2 Calculating Unit between Amplifier Units. When installing Sensor Heads facing each other or in parallel, separate them by the minimum distances given in the table below.



Mutual Interference

Model	A	B
ZX-EDR5T	5 mm	20 (3.1) mm
ZX-ED01T	10 mm	50 (5.4) mm
ZX-ED02T	20 mm	50 (8) mm
ZX-EM02T	20 mm	50 (10) mm
ZX-EM07MT	100 mm	150 (30) mm

Note: The figures in parentheses apply when the mutual interference prevention function is used.

Compatibility

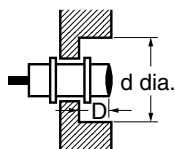
Sensors and Amplifier Units are mutually compatible. Sensors can be added or replaced individually.

Influence of High-frequency Electromagnetic Fields

Using the product in the vicinity of devices that generate high-frequency electromagnetic fields, such as ultrasonic cleaning equipment, high-frequency generators, transceivers, mobile phones, and inverters, may result in malfunction.

Influence of Metallic Objects

When installing the product, separate it from metallic objects by the distances shown below.



Influence of Metallic Objects

Model	d	D
ZX-EDR5T	8 mm	9 mm
ZX-ED01T	10 mm	
ZX-ED02T/EM02T	12 mm	
ZX-EM07MT	55 mm	20 mm

Wiring

Wiring Check

After wiring is completed, before turning ON the power, confirm that the power supply is connected correctly, that there are no faulty connections, such as load short-circuits, and that the load current is correct. Incorrect wiring may result in failure.

Cable Extension

Do not extend the cable for the Sensor and the Amplifier Unit to a length exceeding 10 m. Use a ZX-XC□A Extension Cable (sold separately) to extend the Sensor's cable. Extend the Amplifier Unit's cable using a shielded cable of the same type.

Power Supply

When using a commercially available switching regulator, ground the FG (frame ground) terminal.

If the power supply line is subject to surges, connect a surge absorber that meets the conditions of the operating environment.

Calculating Unit

When using a Calculating Unit, connect the linear output ground of the corresponding Amplifier Unit.

Connectors

Do not connect or disconnect connectors while the power is ON. Be sure hold to connectors by the cover when connecting or disconnecting.

Mounting

Handling

When mounting the Sensor Head, do not apply excessive shock by, for example, using a hammer. Doing so may result in damage or a reduction in the level of water-proofing. Also, there are screw-shaped models that require a toothed washer to allow for a tolerance in the tightening torque for the nut.

Tightening Torque

Do not apply excessive torque when tightening the nut. Use a toothed washer if necessary.

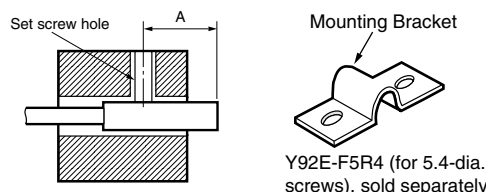


Model	Tightening torque
ZX-EM02T	15 N·m
ZX-EM07MT	

Note: The above figure applies for use with a toothed washer.

Mounting Cylindrical Models:

Tighten set screws with a tightening torque of 0.2 N·m max.



Model	A
ZX-EDR5T	9 to 18 mm
ZX-ED01T	
ZX-ED02T	11 to 22 mm

Installation Location

Do not install the product in the following locations.

- Locations subject to temperatures outside the specified range
- Locations subject to condensation due to sudden temperature changes
- Locations subject to humidity levels outside range 35% to 85%
- Locations subject to corrosive or flammable gases
- Locations subject to dust, salts, or metallic powder.
- Locations directly subject to vibrations and shocks
- Locations subject to direct sunlight
- Locations subject to splashes of water, oil, or chemicals
- Locations subject to strong electromagnetic or electrical fields

Maintenance and Inspection

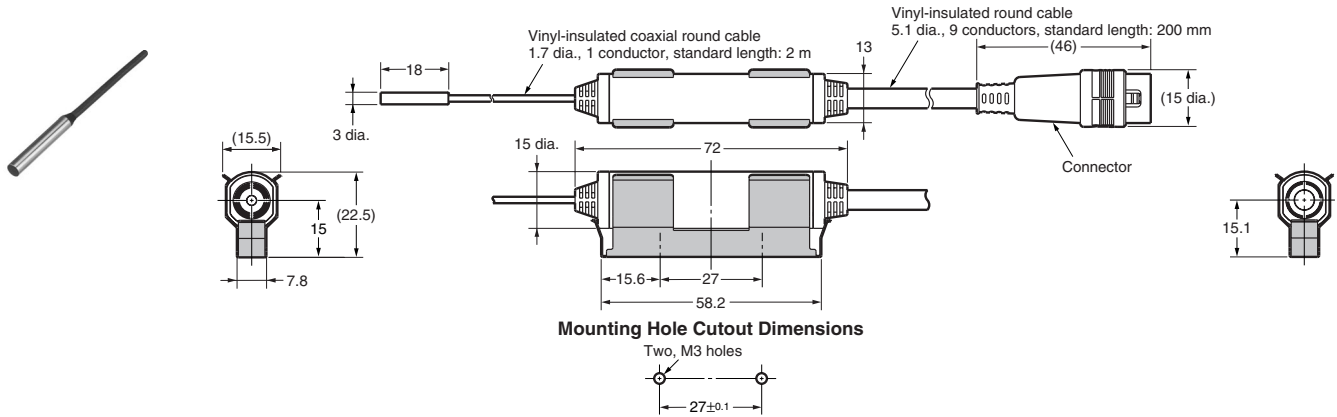
- Be sure to turn OFF the power supply before adjusting or removing the Sensor Head.
- Cleaning:
Do not use thinners, benzene, acetone, or kerosene for cleaning.

Dimensions

Sensors
Sensor Heads

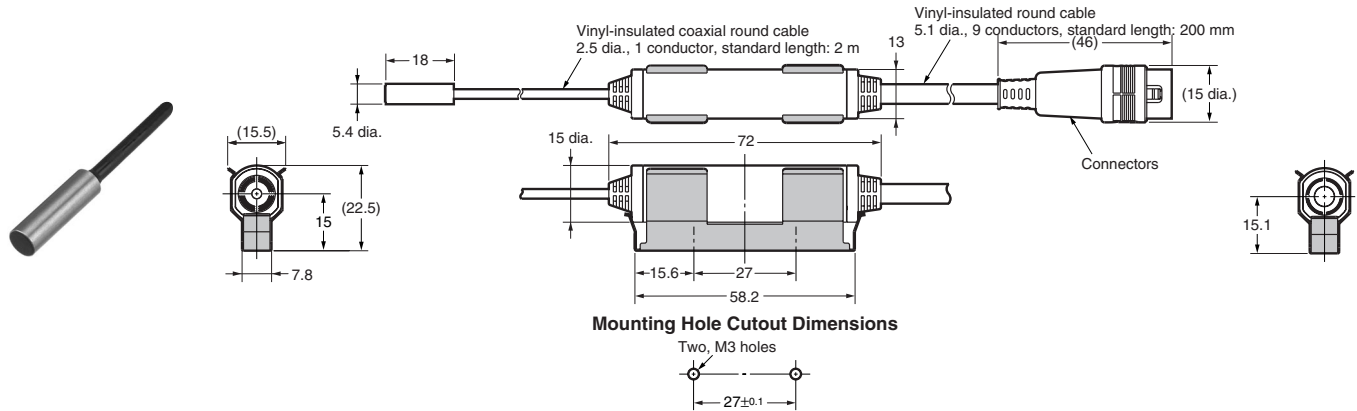
ZX-EDR5T

Dimensions with Mounting Bracket Attached



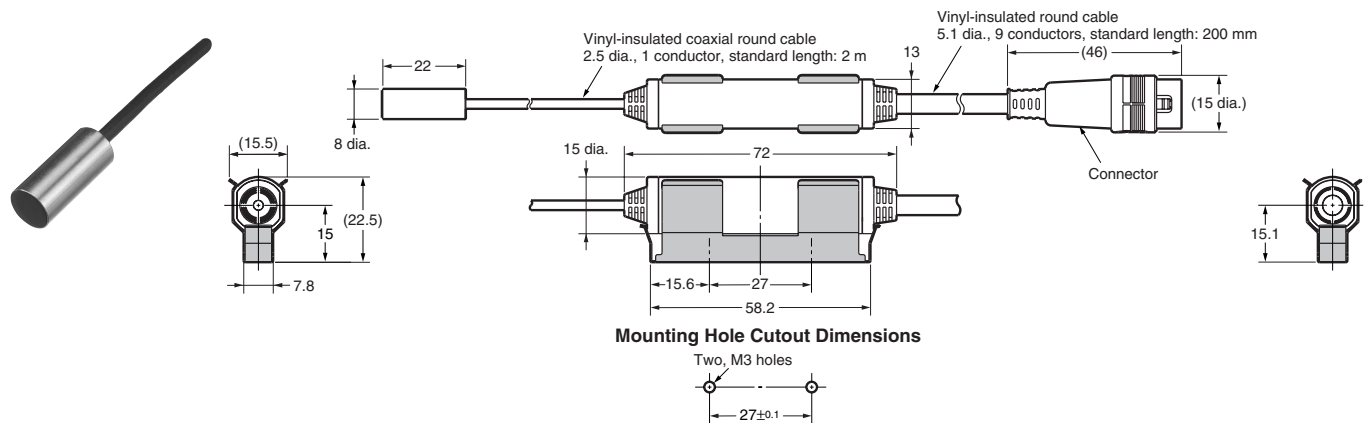
ZX-ED01T

Dimensions with Mounting Bracket Attached



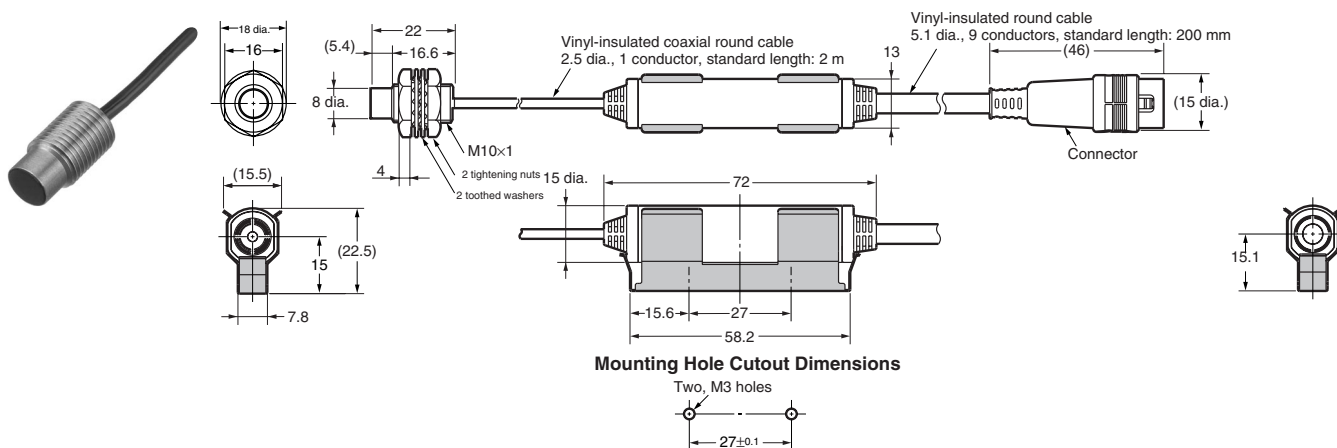
ZX-ED02T

Dimensions with Mounting Bracket Attached



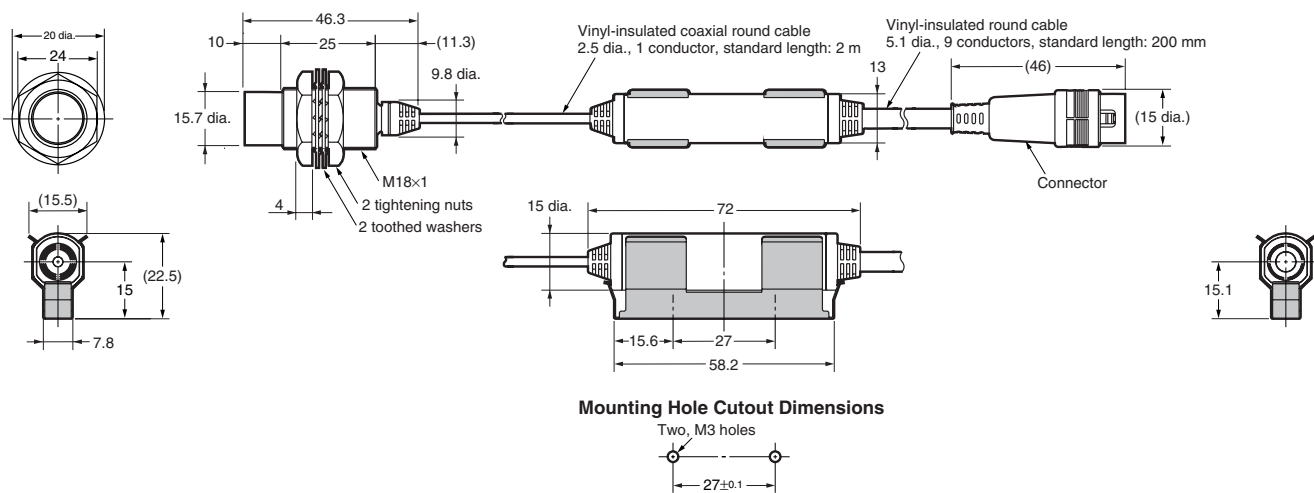
ZX-EM02T

Dimensions with Mounting Bracket Attached



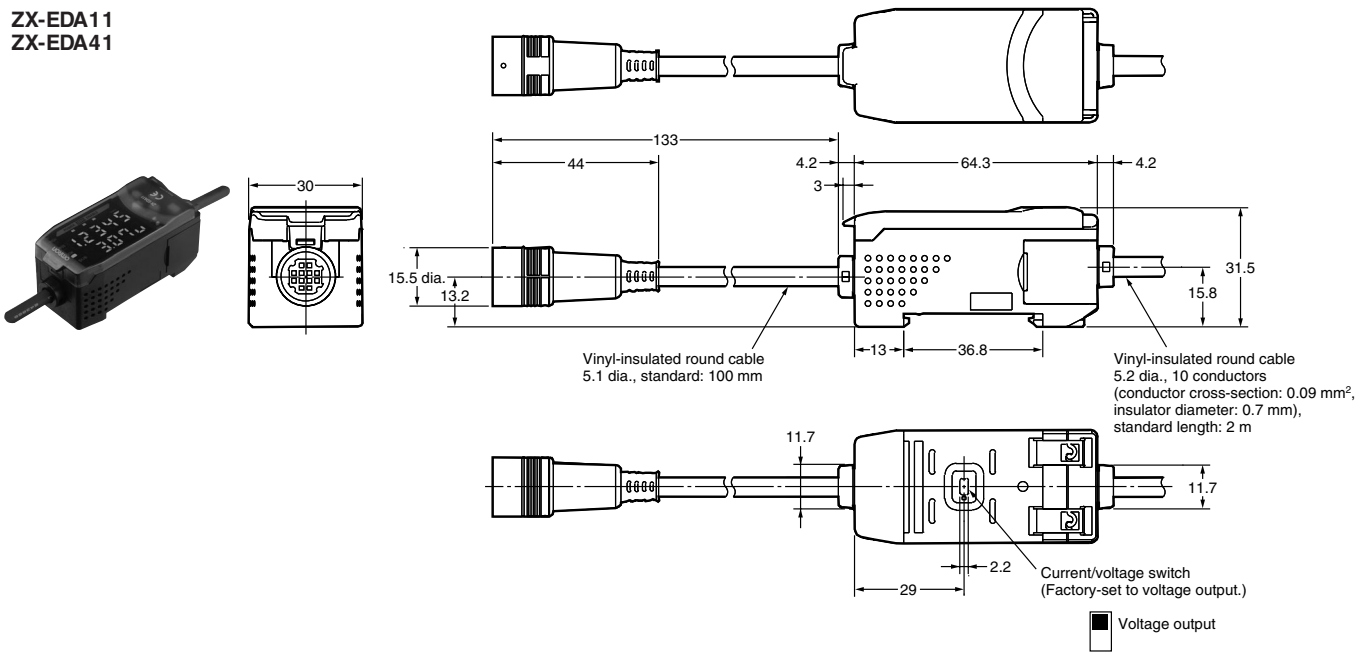
ZX-EM07MT

Dimensions with Mounting Bracket Attached



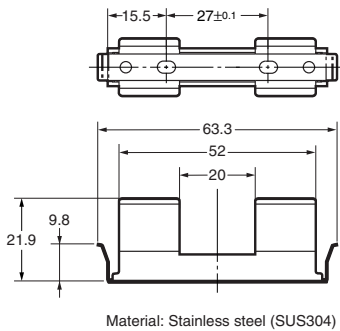
Amplifier Units

ZX-EDA11
ZX-EDA41

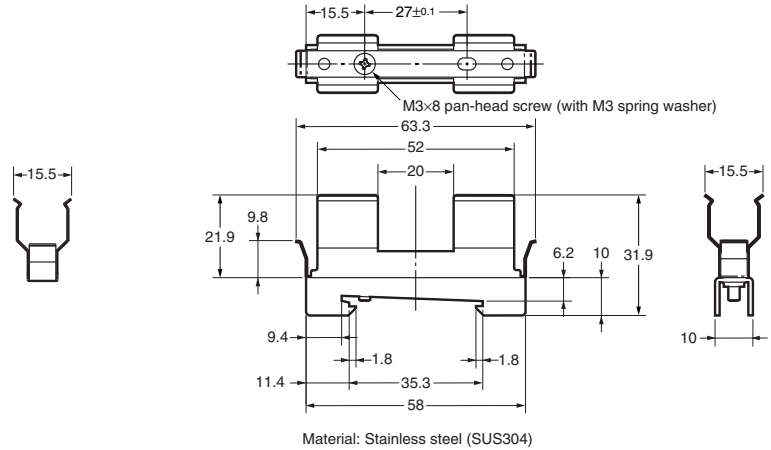


Accessories (Sold Separately)
Pre-amplifier Mounting Bracket

ZX-XBE1

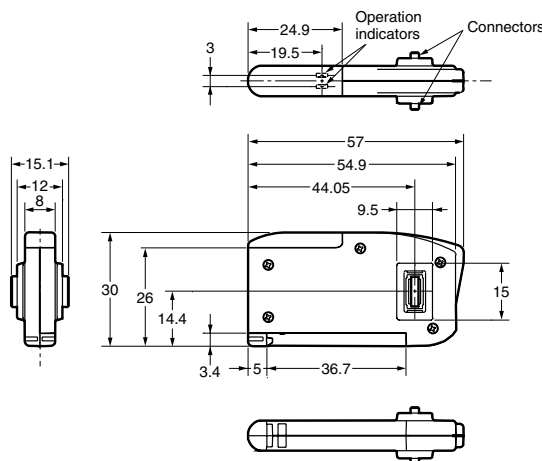


ZX-XBE2



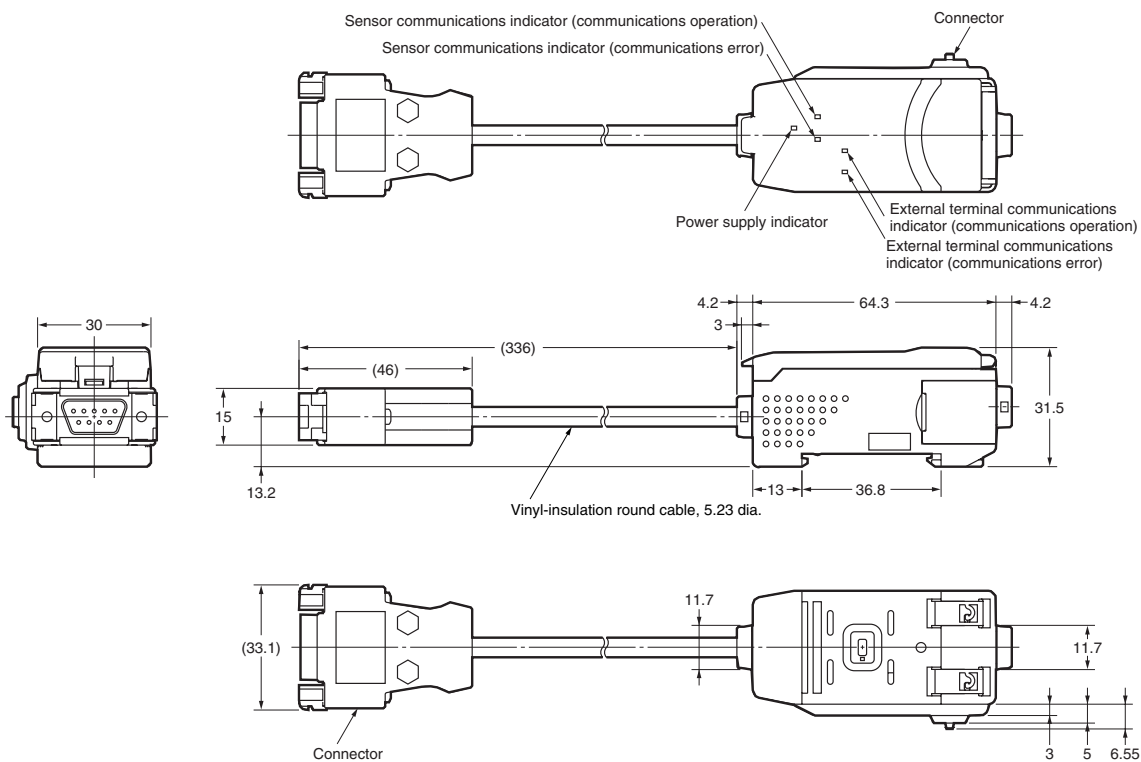
Calculating Unit

ZX-CAL/ZX-CAL2



ZX-series Communications Interface Unit

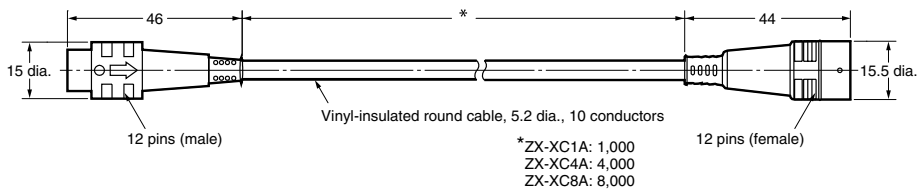
ZX-SF11



ZX-E Series

Cables with Connectors on Both Ends (for Extension)

- ZX-XC1A (1 m)
- ZX-XC4A (4 m)
- ZX-XC8A (8 m)



ALL DIMENSIONS SHOWN ARE IN MILLIMETERS.

To convert millimeters into inches, multiply by 0.03937. To convert grams into ounces, multiply by 0.03527.