

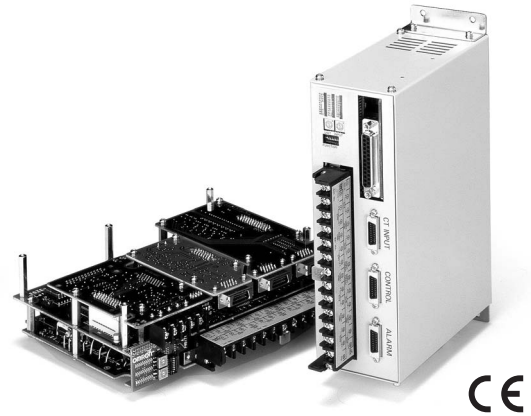
# Multipoint Temperature Controller

## E5ZE

### Compact, Easy-to-mount Multipoint Temperature Controller (Casing)

### Compact, Easy-to-use, Board-type Multipoint Temperature Controller (Open)

- Easy-to-mount, user-friendly models with casing.
- 50% smaller in projection space than the previous E5ZD Multipoint Temperature Controller.
- Connector terminal block saves wiring effort.
- High-speed input sampling.
- Heating/cooling models are available.



Note: Open models do not bear CE markings.

## Model Number Structure

### Model Number Legend

E5ZE-8□AAM□□-E  
 1 2 3 4 5 6 7

#### 1. Control Point

8: 8

#### 2. Control Method

A: Standard  
 V: Heating/cooling

#### 3. Control Output

A: Option (see note 1)

#### 4. Heater Burnout and SSR Failure Detection (see note 2)

A: Option (see note 3)

#### 5. Communications

M: Option (see note 4)

#### 6. Input Type

TC: Thermocouple  
 P: Platinum resistance thermometer

#### 7. Casing

B: Yes  
 Blank: No (open type)

- Note:**
1. The E53-E8Q Voltage Output Unit or the E53-E8C Current Output Unit can be used with the E5ZE. The E53-E8Q Voltage Output Unit and the E53-E8C Current Output Unit are sold separately.
  2. The heater burnout and SSR failure detection function of the E5ZE will be invalid if the heating side control output of the E5ZE is current output.
  3. The E54-E8CT CT Input Unit is required for the heater burnout and SSR failure detection. The E54-E8CT CT Input Unit is sold separately.
  4. The E53-E01 Communications Unit for RS-232C communication or the E53-E04 Communications Unit for RS-422 and RS-485 communication can be used with the E5ZE. The E53-E01 Communications Unit and the E53-E04 Communications Unit are sold separately.

# Ordering Information

## ■ List of Models

No. of control points	Casing	Control method	Control output	Heater burnout and SSR failure detection	Communica-tions	Input type	
						Thermocouple	Platinum resistance thermometer
8	No	Standard	Option	Option	Option	E5ZE-8AAAMTC-E	E5ZE-8AAAMP-E
		Heating and cooling	Option	Option	Option	E5ZE-8VAAMTC-E	E5ZE-8VAAMP-E
	Yes	Standard	Option	Option	Option	E5ZE-8AAAMTCB-E	E5ZE-8AAAMPB-E
		Heating and cooling	Option	Option	Option	E5ZE-8VAAMTCB-E	E5ZE-8VAAMPB-E

## ■ I/O Units (Order Separately)

Units	Models
RS-232C Communications Unit	E53-E01
RS-422/485 Communications Unit	E53-E04
CT Input Unit	E54-E8CT
Voltage Output Unit	E53-E8Q
Current Output Unit	E53-E8C

## ■ Accessories (Order Separately)

### Current Transformers (CT)

Hole diameter	5.8 mm	12.0 mm
Model	E54-CT1	E54-CT3

Note: The above CTs are not provided with the E5ZE.

## Recommended Power Supply

### S82J Switching Power Supply

Input voltage	Power ratings	Output voltage	Output current	Model	
				Open-frame type	Covered-type
100 to 240 VAC	50 W	24 V	2.1 A	S82J-05024A	S82J-05024D
	100 W		4.5 A	S82J-10024A	S82J-10024D
	150 W		6.5 A	S82J-15024A S82J-15024B S82J-15024C	S82J-15024D S82J-15024E S82J-15024F

### S82K Switching Power Supply

Input voltage	Power ratings	Output voltage	Output current	Model
100/200 VAC	50 W	24 V	2.1 A	S82K-05024
	100 W		4.2 A	S82K-10024

## Wiring Devices

### Connector Terminal Conversion Unit

Specifications	Model
20-pole, M2.4 terminal block	XW2B-20G4
20-pole, M3.5 terminal block	XW2B-20G5

**I/O Block**

Specifications	Model
8-point (SPST-NO x 8) relay output with NPN DC coil (+ common)	G7TC-OC08
16-point (SPST-NO x 16) relay output with NPN DC coil (+ common)	G7TC-OC16
16-point (SPST-NO x 16) relay output with NPN DC coil (+ common)	G7VC-OC16
16-point (SPST-NO x 16) SSR AC output with NPN DC coil (+ common)	G7VC-OA16
16-point (SPST-NO x 16) SSR DC output with NPN DC coil (+ common)	G7VC-OD16

**Connecting Cable**

Specifications	Model
2 m long	E5ZE-CBL200

**Setting Display Unit**

Connecting model	Connecting part	Model (see note 2)
RS-232C	Connector	E5ZD-SDL1
RS-422	Terminal block	E5ZD-SDL2-X
RS-485	Terminal block	E5ZD-SDL3-X
		E5ZD-SDLM

**Note: 1.** The Setting Display Unit is originally for use with the E5ZD. Be careful when using the Setting Display Unit with the E5ZE as some of the E5ZE's functions cannot be used with the Setting Display Unit.

**2.** Each model available as a 100-to-240-VAC type or 24-VDC type. (Exception: The E5ZD-SDLM is available only as a 24-VDC type).

# Specifications

## ■ Ratings

<b>Supply voltage</b>		24 VDC
<b>Operating voltage range</b>		85% to 110% of rated supply voltage
<b>Power consumption</b>		15 W + 20% max. at rated supply voltage
<b>Input</b>	<b>Input type</b>	Thermocouple: K, J, R, S, T, E, B, N, L, U, W, PL-II Platinum resistance thermometer: Pt100, JPt100
	<b>Input impedance</b>	Thermocouple: 1 MΩ min.
	<b>Rated platinum resistance thermometer current</b>	1 mA
<b>Control outputs</b>		<p>Voltage output (with short-circuit protecting function)</p> <p>ON: 12 ± 1.2 VDC</p> <p>OFF: 0.5 VDC max.</p> <p>Max. load current: 30 mA DC per point</p> <p>Current output</p> <p>Rated output range: 4 to 20 mA DC</p> <p>Current output range: 0 to 22 mA DC</p> <p>With an output value of 0%: 4<sup>+0</sup>/<sub>-0.6</sub> mA DC</p> <p>With an output value of 100%: 20<sup>+2</sup>/<sub>-0</sub> mA DC</p> <p>Max. load resistance: 600 Ω per point</p> <p>Open collector output (NPN) (cooling side only)</p> <p>Max. applied voltage: 30 VDC</p> <p>Max. load current: 50 mA DC per point</p> <p>ON residual voltage: 2 VDC max.</p> <p>OFF leakage current: 1 mA DC max.</p>
<b>Alarm outputs</b>		<p>Temperature alarm: The total output of all control points (alarm 1 NPN open collector output and alarm 2 NPN open collector output)</p> <p>HB alarm (heater burnout detection): Total output of all control points (1-point NPN open collector output)</p> <p>HS alarm (SSR failure detection): Total output of all control points (1-point NPN open collector output)</p> <p>Temperature controller error output (memory, set value, or hardware error):</p> <p>1-point NPN open collector output</p> <p>Max. applied voltage: 30 VDC</p> <p>Max. load current: 50 mA DC per point</p>
<b>No. of input control points</b>		8 input and 8 control points
<b>Setting method</b>		Via communication
<b>Control method</b>		ON/OFF control Hybrid of 2-PID control and fuzzy control Manual operation

## ■ Input Ranges

### Thermocouple

Input (switch selectable) (see note 1)		K (CA) Chromel vs. alumei (see note 2)	J (IC)/L Iron vs. constantan	R/S Platinum vs. Platinum rhodium 10%	T (CC)/U Copper vs. constantan	E (CRC) Chromel vs. constantan	B Platinum rhodium 30% vs. platinum rhodium 6%	N Nichrosil vs. nilsil	W (see note 3)	PL-II (Platinum)
Range	°C	-200 to 1,300	-100 to 850	0 to 1,700	-200 to 400	0 to 600	100 to 1,800	0 to 1,300	0 to 2,300	0 to 1,300
	°F	-300 to 2,300	-100 to 1,500	0 to 3,000	-300 to 700	0 to 1,100	300 to 3,000	0 to 2,300	32 to 4,100	0 to 2,300
Setting no.		0	1/8	2/3	4/9	5	6	7	A	B
Min. setting unit		1°C or 0.1°C								

### Platinum Resistance Thermometer

Input (switch selectable) (see note 1)		Pt 100	JPt 100
Range	°C	-100.0 to 500.0	-100.0 to 500.0
	°F	-100.0 to 900.0	-100.0 to 900.0
Setting no.		0	1
Min. setting unit		1°C or 0.1°C	

- Note:**
1. The setting selector set to 0 (K) or 0 (Pt 100) before shipping.
  2. A temperature range is factory-set to a range of -200° to 1,300°C (K(CA)) or -100.0° to 500.0°C (Pt 100).
  3. Thermocouple W is W/Re5-26 (tungsten rhenium 5, tungsten rhenium 26).

## ■ Characteristics

Measurement accuracy (see note)	Thermocouple: (±0.3% of the process value or ±2°C, whichever greater) ±1 digit max. (±0.3% of the process value or ±3.6°F, whichever greater) ±1 digit max. Platinum resistance thermometer: (±0.3% of the process value or ±0.8°C, whichever greater) ±1 digit max. (±0.3% of the process value or ±1.5°F, whichever greater) ±1 digit max.
Hysteresis	0.0°C/°F to 99.9°C/°F for ON/OFF control only (in units of 0.1°C/°F)
Cooling coefficient	0.0 to 10.0 (in units of 0.1)
Proportional band	0.0°C/°F to 999.9°C/°F (in units of 0.1°C/°F) Cooling side: Cooling coefficient x Proportional band
Integral (reset) time	0 to 3,999 s (in units of 1 s) (for both heating and cooling)
Derivative (rate) time	0 to 3,999 s (in units of 1 s) (for both heating and cooling)
Control period	Heating side: 1 to 99 s (in units of 1 s) Cooling side: 1 to 99 s (in units of 1 s)
Sampling period	Approx. 200 ms for 8 control points
Dead band/overlap band	-999°C/°F to 999°C/°F (in units of 1°C/°F)
Alarm output setting range	-999°C/°F to 9999°C/°F, 0 to 9999°C/°F (upper- and lower-limit alarm) (in units of 1°C/°F) -999.9°C/°F to 9999.9°C/°F, 0.0 to 9999.9°C/°F (upper- and lower-limit alarm) (in units of 0.1°C/°F)
Fuzzy strength	0% to 99% (in units of 1%)
Fuzzy scale 1	0.2°C/°F to 999.9°C/°F (in units of 0.1°C/°F)
Fuzzy scale 2	0.02°C/s or °F/s to 99.99°C/s or °F/s (in units of 0.01°C/s or °F/s)
Set value backup	Lithium battery
Set value backup period	10 years min. at room temperature
Insulation resistance	20 MΩ min. between the FG terminal and all analog input terminals (at 500 VDC)
Dielectric strength	A leakage current of 1 mA AC max. with 500 VAC for 1 minutes between the FG terminal and all analog input terminals
Vibration resistance	Malfunction: 10 to 55 Hz, 10 m/s <sup>2</sup> (1G) for 10 min each in X, Y, and Z directions Destruction: 10 to 55 Hz, 20 m/s <sup>2</sup> (2G) for 2 hrs each in X, Y, and Z directions
Shock resistance	Malfunction: 150 m/s <sup>2</sup> (15.3G), 3 times each in 6 directions Destruction: 200 m/s <sup>2</sup> (20.4G), 3 times each in 6 directions
Ambient temperature	Operating: -10°C to 55°C (with no icing or condensation) Storage: -25°C to 65°C (with no icing or condensation)
Ambient humidity	Operating: 35% to 85% Storage: 35% to 95%
Dimensions	Without casing: 169.5 x 192 x 58 mm max. With casing: 173.5 x 200 x 65 mm max.
Degree of protection	IP00
Weight	Without casing: 900 g max. With casing: 1,700 g max.
EMC	Emission Enclosure: EN55011 Group 1 class A Immunity ESD: EN61000-4-2: 4 kV contact discharge (level 2) 8 kV air discharge (level 3) Immunity RF-interference: ENV50140: 10 V/m (amplitude modulated, 80 MHz to 1 GHz) (level 3) 10 V/m (pulse modulated, 900 MHz) Immunity Conducted Disturbance: ENV50141: 10 V (0.15 to 80 MHz) (level 3) Immunity Burst: EN61000-4-4: 2 kV power-line (level 3)
Approved standards	Conforms to EN50081-2, EN50082-2 (see note 3)

**Note:** 1. The measurement accuracy of the E5ZE used with a thermocouple B at 400°C or 750°F max. is not guaranteed. The following measurement accuracy values are applied to the E5ZE.

- K and T at -100°C max. and U: ±3°C ±1 digit max.
- K and T at -100°F max. and U: ±5.4°F ±1 digit max.
- R, S, and W at 200°C max., and B at 1,000°C max.: ±4°C ±1 digit max.
- R, S, and W at 400°F max., and B at 1,800°F max.: ±7.2°F ±1 digit max.

2. The measurement accuracy of the E5ZE used with any thermocouple is 1°C/°F. The thermocouple can be used under the following temperature ranges to increase the measurement accuracy to as high as 0.1°C/°F.

- K thermocouple: 0.0 °C to 1,300.0 °C, 0.0 °F to 2,300.0 °F
- T or U thermocouple: 0.0 °C to 400.0 °C, 0.0 °F to 700.0 °F
- N thermocouple: 400.0 °C to 1,300.0 °C, 700.0 °F to 2,300.0 °F
- J, E, L, or PLII thermocouple: Any temperature

3. To ensure EMC conformance, refer to *Wiring for Conformance to the EMC Directives* on page 16.

## ■ Communications Specifications

Item	RS-232C	RS-422	RS-485
Communications method	Half-duplex		
Connecting method	25-pin D-sub connector	5-pole terminal block (with M3 screws)	
Transmission line configuration	3-wire	4-wire	2-wire
Transmission line type	Direct line	Multi-drop line	
Synchronization method	Start-stop synchronization (asynchronous)		
Baud rate	2,400/4,800/9,600/19,200 bps		
Transmission code	ASCII		
No. of stop bits	2		
Parity	Even parity		
Character length	7 bits		
Error detection	Vertical parity and FCS (frame check sequence)		
Communications unit no.	0 to F (hexadecimal)		
Transmission and reception switching time	---	20 ms max.	
Max. transmission path	15 m	500 m in total	
No. of controllers connected in parallel	---	16 (excluding host system)	

**Note: 1.** The maximum total cable length must not exceed the following limits.  
 RS-422: 500 m, RS-232C: 15 m, RS-485: 500 m

- Recommended connectors:  
 RS-232C: XM2□ D-sub connector (25 pin) (OMRON)

2. A maximum of 16 Temperature Controllers can be connected to one host computer using serial communications (RS-422 or RS-485).

## ■ Communications

- Set point
- Process value
- Alarm value
- Alarm mode
- Hysteresis
- Proportional band
- Integral time
- Derivative time
- Output value
- Auto-tuning (AT) start/stop
- Heater burnout detection set value
- Control start/stop
- Control memory bank
- Cooling coefficient (see note)
- Dead band/overlap band (see note)
- Fuzzy strength
- Fuzzy scale 1, 2

**Note:** For heating and cooling control models only.

## ■ E5ZD-SDL Ratings/Characteristics

### Ratings

Supply voltage	100 to 240 VAC, 50/60 Hz or 24 VDC
Operating voltage range	85% to 110% of rated supply voltage
Power consumption	Approx. 12 W (at 100 VAC) to 18 W (at 240 VAC), approx. 13 W (at 24 VDC)
Setting method	Digital setting via Up and Down Keys
Display method	Digital (character heights: PV: 15 mm, SV: 11 mm, UNIT/CH/BK: 11 mm) (color PV: red, SV: green, UNIT/CH/BK: orange)
Other functions	Key protection Display group selection Display scan function Others also provided

### Characteristics

Sampling period	500 ms, 1 s (selectable)
Vibration resistance	Malfunction: 2 to 55 Hz, 19.6 m/s <sup>2</sup> for 10 min each in X, Y, and Z directions Destruction: 10 to 55 Hz, 0.75-mm for 2 hrs each in X, Y, and Z directions
Shock resistance	Malfunction: 196 m/s <sup>2</sup> for 3 times each in 6 directions Destruction: 294 m/s <sup>2</sup> for 3 times each in 6 directions
Ambient temperature	Operating: -10°C to 55°C (with no icing)
Ambient humidity	Operating: 35% to 85%
Weight	Approx. 450 g
Degree of protection	Front panel: IEC standard IP50 Rear case: IEC standard IP20 Terminals: IEC standard IP00
Connection method	RS-232C, RS-422, RS-485 Communications speed: 9,600 bps Connecting device: E5ZD/E5ZE Multipoint Temperature Controller series
Max. number of E5ZD/E5ZE Multipoint Temperature Controllers which can be connected	RS-232C: 1 RS-422: 16 RS-485: 16

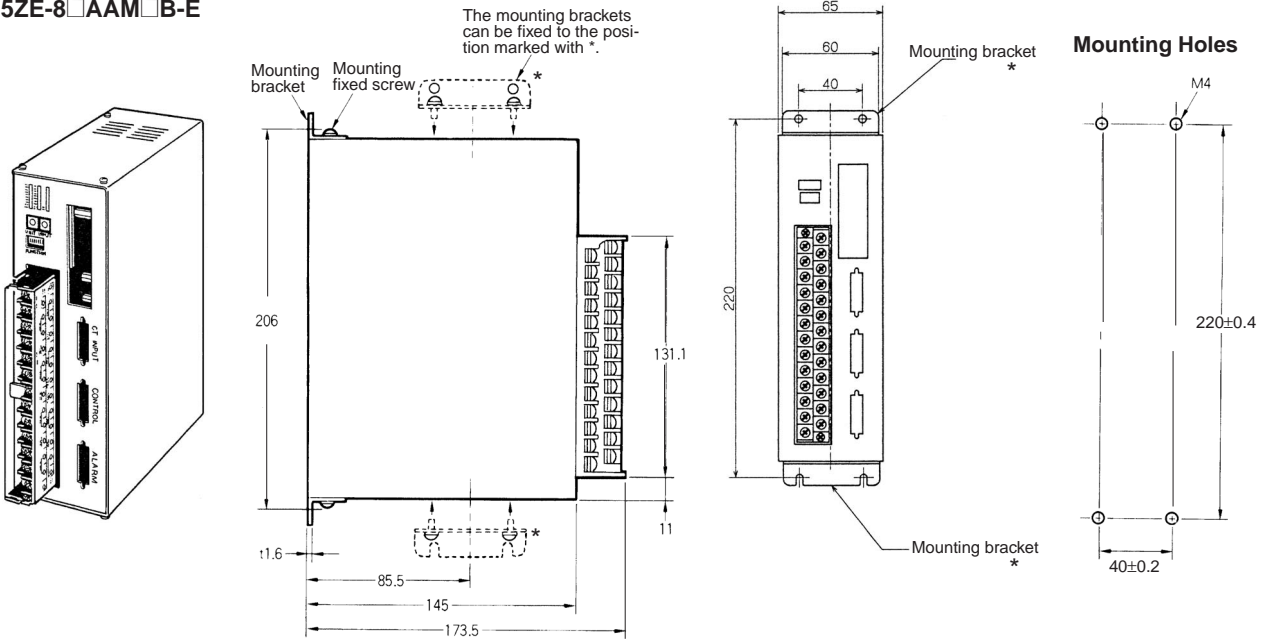
**Note:** The connection method must coincide with the communications specifications of the E5ZE Multipoint Temperature Controller.



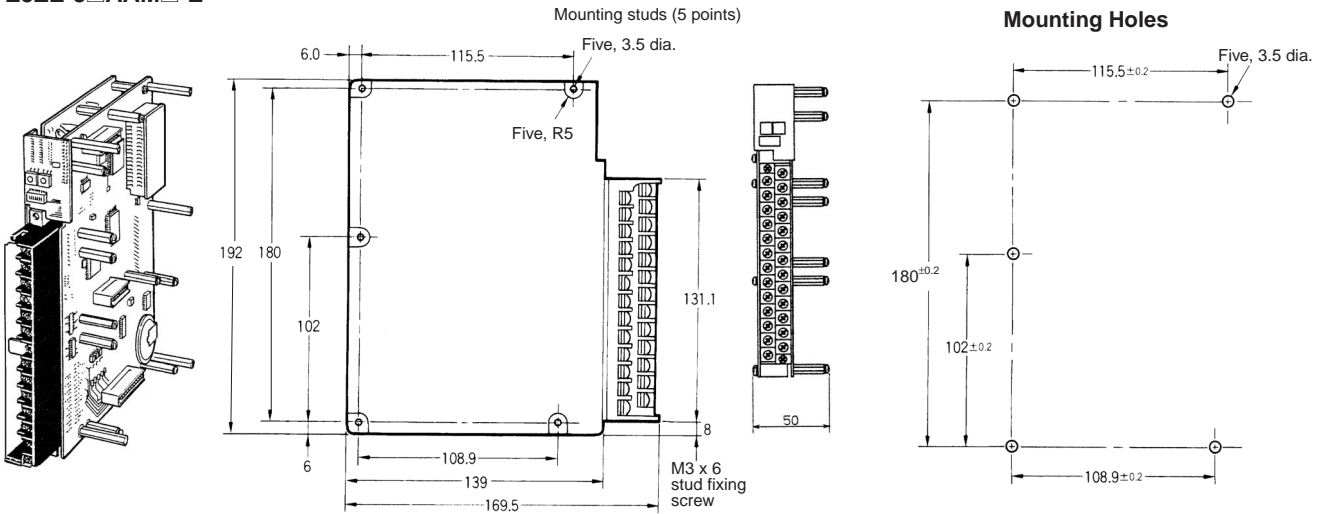
# Dimensions

Note: All units are in millimeters unless otherwise indicated.

## E5ZE-8□AAM□B-E



## E5ZE-8□AAM□-E



### Panel-mounting Screws

Prepare the following screws.

Size:

M3 x *l*

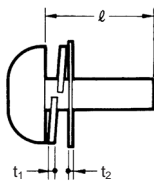
$$t + t_1 + t_2 + 2.5 < l < t + t_1 + t_2 + 7.8$$

*t*: Panel thickness

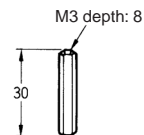
*t*<sub>1</sub>: Spring washer thickness

*t*<sub>2</sub>: Flat washer thickness

Material: Iron or stainless



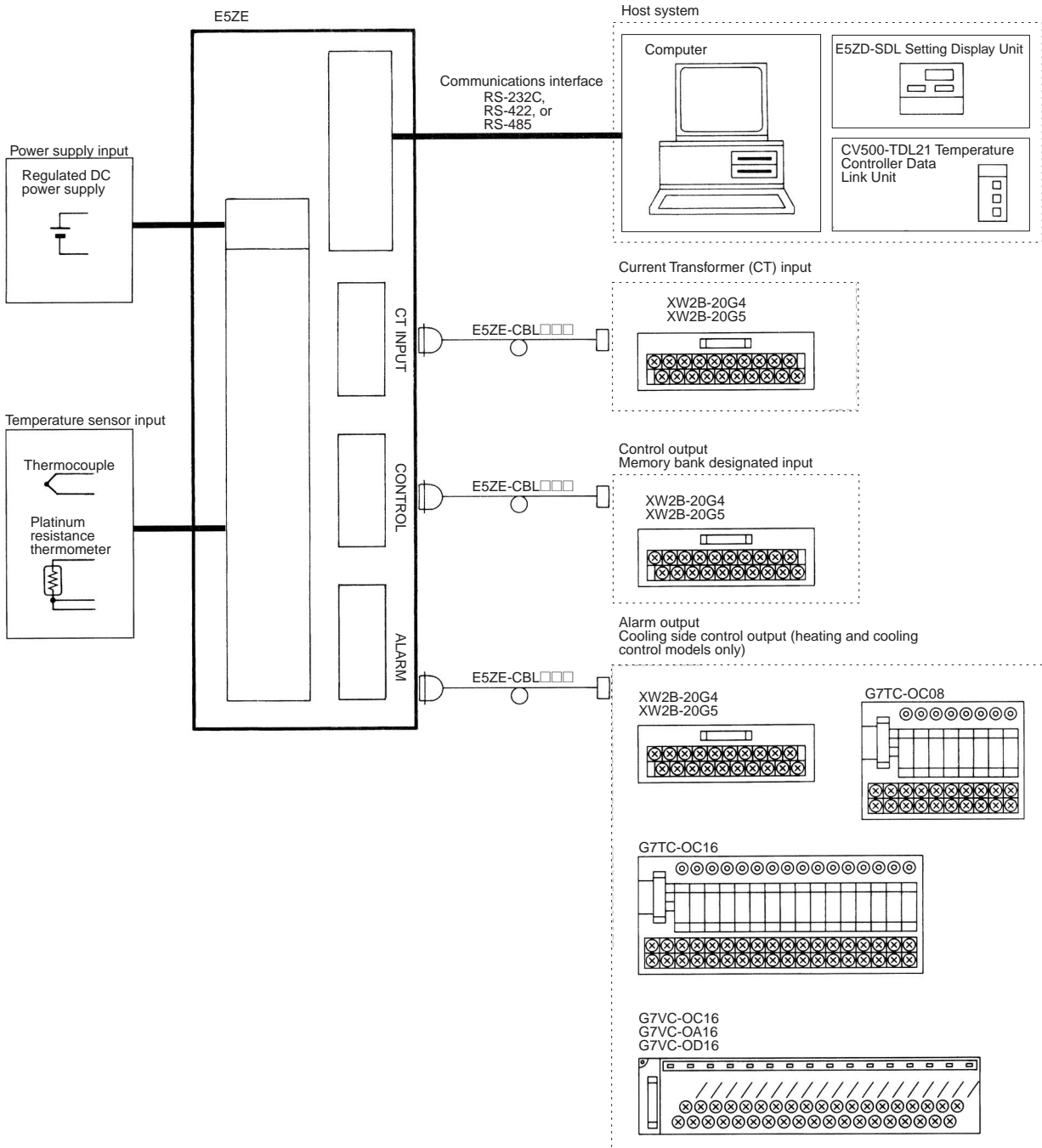
### Mounting Stud



# Connections

## System Configuration

### Devices Connectable to the E5ZE



### Connections

Use E5ZE-CBL□□□ Connecting Cables to connect the following devices to the E5ZE.

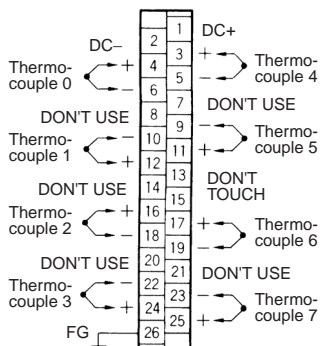
- XW2B-20G4 and XW2B-20G5 Connector Terminal Conversion Units
- G7TC-OC08, G7TC-OC16, G7VC-OC16, G7VC-OD16, and G7VC-OA16 I/O Blocks

**Caution**  
 Do not connect any device other than those listed above to the E5ZE using E5ZE-CBL□□□ Connecting Cables, or the E5ZE may malfunction or accidents may result.

## External Connection

### Terminal Block Connections

#### Thermocouple

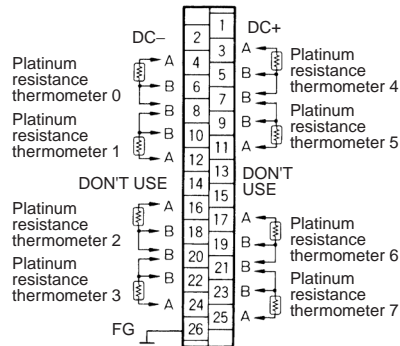


A thermocouple has polarity. Connect thermocouples to the terminal block correctly using compensating conductor that are suitable for the thermocouples.

Be sure to use the cold junction compensator (no. 13 and 15) provided with the E5ZE. The lot and serial numbers of the cold junction compensator must be identical to those of the E5ZE. Do not touch the cold junction compensator while operating the E5ZE.

The number of each of the above thermocouples is a point number.

#### Platinum Resistance Thermometer



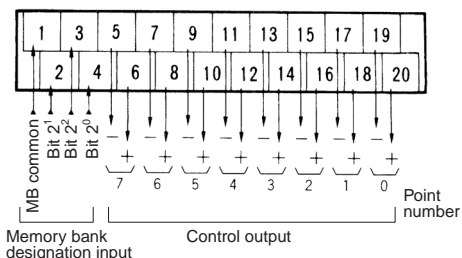
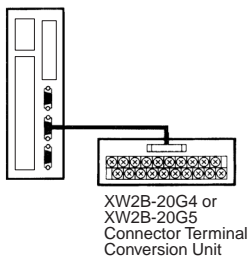
Make sure there is no difference in resistance among the three conductor of each platinum resistance thermometer used with the E5ZE.

Do not short-circuit terminals 7, 8, 20, and 21.

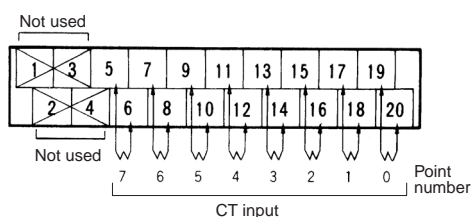
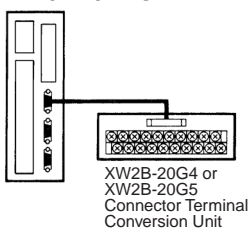
The number of each of the above platinum resistance thermometer is a point number.

### Connecting to Connector Terminal Conversion Unit

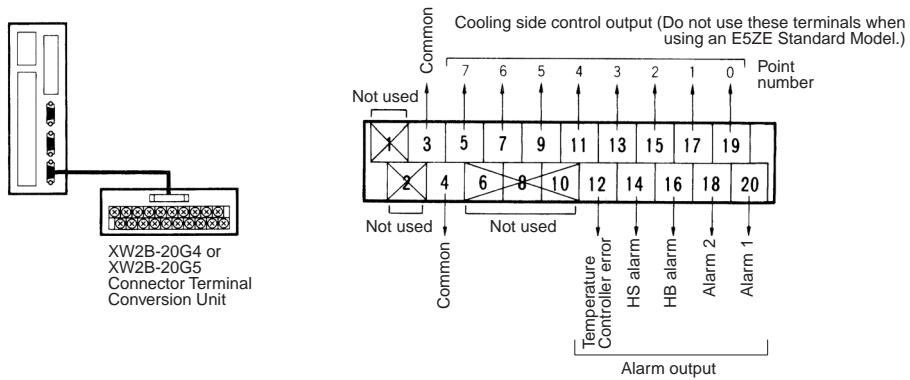
#### Control Output and Memory Bank Designation Input



#### Current Transformer (CT) Input

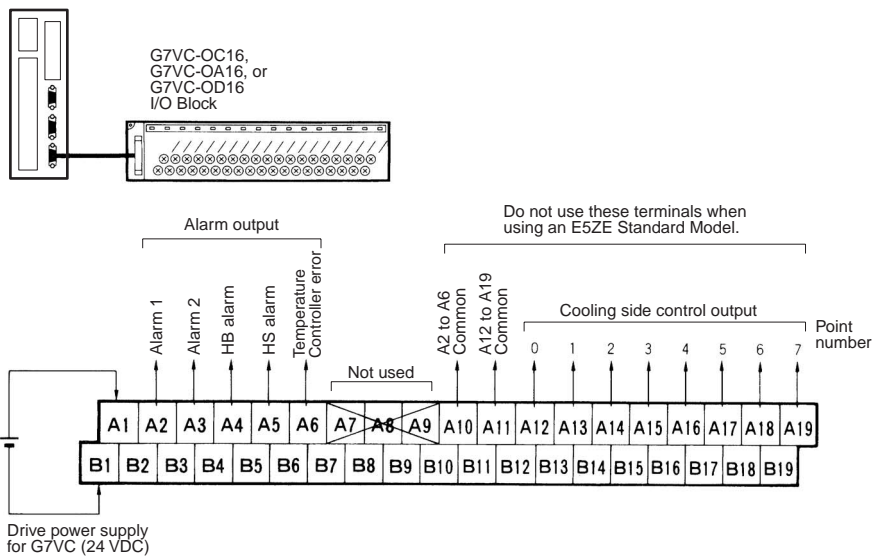


**Alarm Output and Cooling Side Control Output (For Heating and Cooling Control Model Only)**



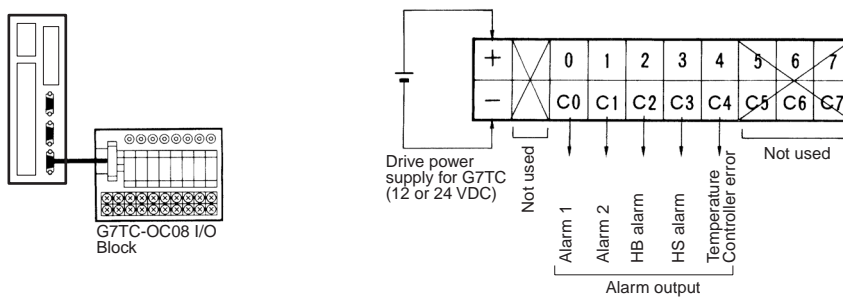
**Connecting to G7VC-O□16 I/O Block**

**Alarm Output and Cooling Side Control Output (For Heating and Cooling Control Models Only)**

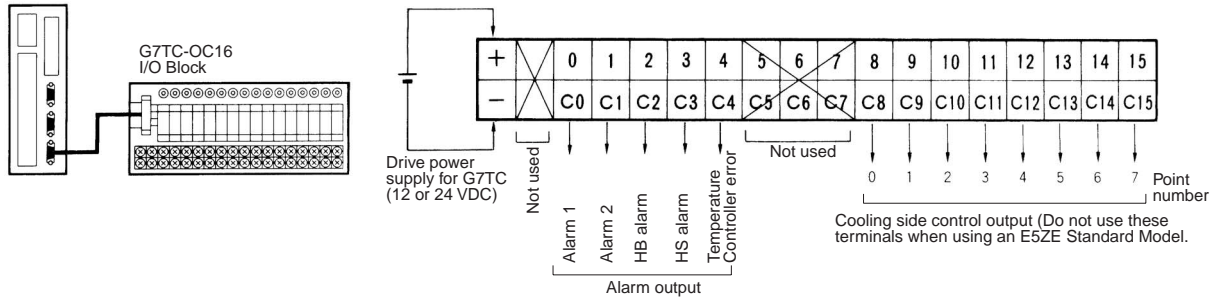


**Connecting to G7TC-OC□□ I/O Block**

**G7TC-OC08 Alarm Output**



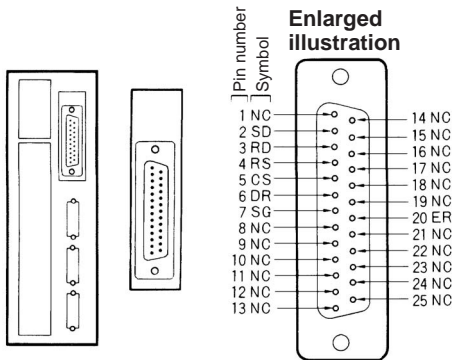
### G7TC-OC16 Alarm Output and Cooling Side Control Output (For Heating and Cooling Control Models Only)



## Communication Interfaces

### RS-232C

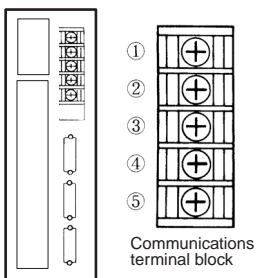
#### Pin Assignments



Signal name	Symbol	Signal direction	Pin
Signal ground	SG	---	7
Send data	SD	Output	2
Receive data	RD	Input	3
Send request	RS	Output	4
Send enable	CS	Input	5
Data set ready	DR	Input	6
Data terminal ready	ER	Output	20
Not used	NC	---	1, 8 to 19, 21 to 25

Electrical characteristics: Conforming to EIA RS-232C  
Synchronization clock: Internal

### RS-422 and RS-485



#### RS-422

Terminal	Signal name	Symbol	Signal direction
1	Receive data B	RDB	Input
2	Receive data A	RDA	Input
3	Signal ground	SG	---
4	Send data B	SDB	Output
5	Send data A	SDA	Output

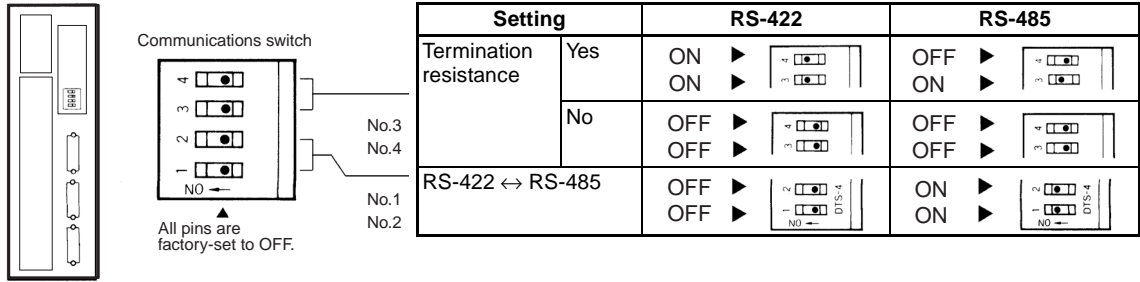
Electrical characteristics: Conforming to EIA RS-422  
Synchronization clock: Internal  
Maximum E5ZE Units connectable: 16 (excluding host system)  
Transmission length: 500 m max. in total

#### RS-485




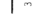


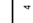
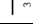




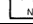
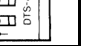
Terminal	Signal name	Symbol	Signal direction
1	Not used	---	---
2	Not used	---	---
3	Signal ground	SG	---
4	Terminal B (+)	B	I/O
5	Terminal A (-)	A	I/O

Electrical characteristics: Conforming to EIA RS-485  
Synchronization clock: Internal  
Maximum E5ZE Units connectable: 16 (excluding host system)  
Transmission length: 500 m max. in total

## Communications Switch Settings

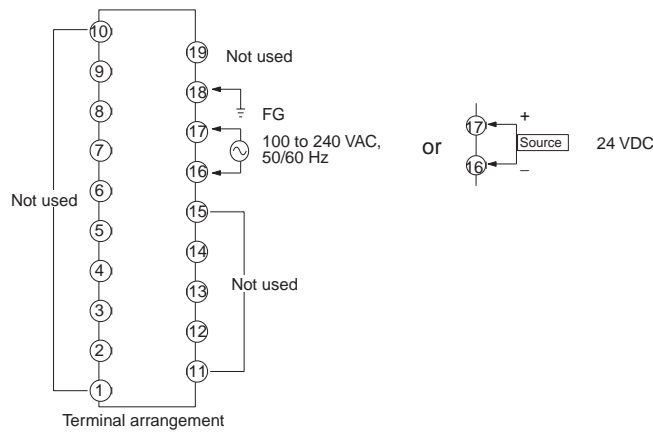


The diagram shows a physical communications switch with four positions: No.1, No.2, No.3, and No.4. A note states: "All pins are factory-set to OFF." To the right is a table detailing the settings for RS-422 and RS-485 protocols.

Setting		RS-422	RS-485
Termination resistance	Yes	ON  	OFF  
	No	OFF  	OFF  
RS-422 ↔ RS-485		OFF   	ON   

## ■ E5ZD-SDL

### External Connection



## E5ZD-SDL1

### Electrical Characteristics

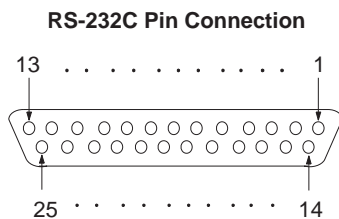
Conforming to EIA RS-232C

### Connecting Signals

Signal name	Symbol	Signal direction	D-sub connector pin number
Field ground	FG	---	1
Signal ground	SG	---	7
Send data	SD	Output	2
Receive data	RD	Input	3
Request send	RS	Output	4
Send enable	CS	Input	5
Data set ready	DR	Input	6
Data terminal ready	ER	Output	20

### Connection

Only a single E5ZD-SDL can be connected via RS-232C.



## E5ZD-SDL2X

### Electrical Characteristics

Conforming to EIA RS-422

### Connecting Signals

Signal name	Symbol	Signal direction	Terminal block pin number
Send data A	SDA	Output	21
Send data B	SDB	Output	20
Receive data A	RDA	Input	23
Receive data B	RDB	Input	24
Signal ground	SG	---	22
Field ground	FG	---	---

## E5ZD-SDL3-X

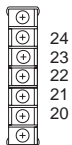
### Electrical Characteristics

Conforming to EIA RS-485

### Connecting Signals

Signal name	Symbol	Signal direction	Terminal block pin number
Terminal A	-	Input/Output	21, 23
Terminal B	+	Input/Output	20, 24
Signal ground	SG	---	22

Terminal Block

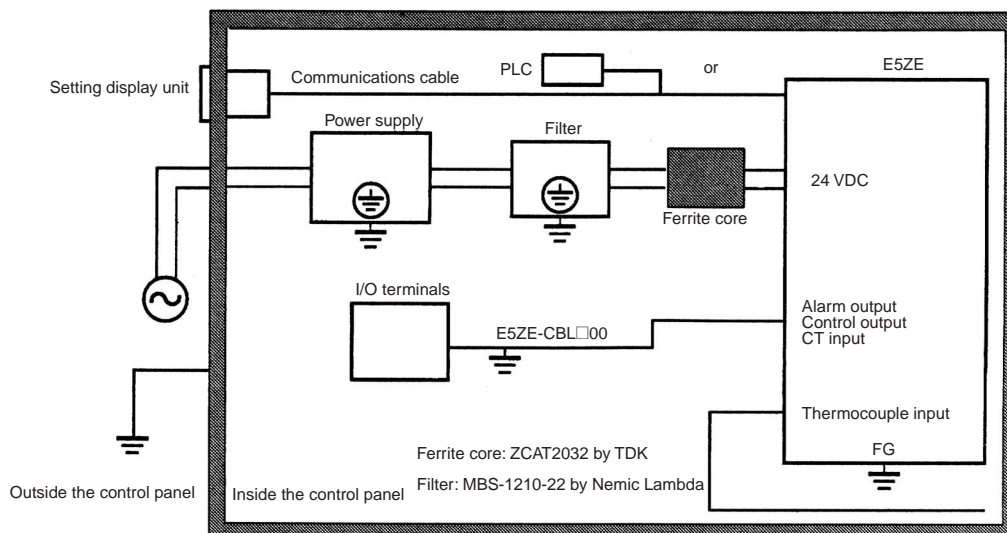


The size of each screw is M3.

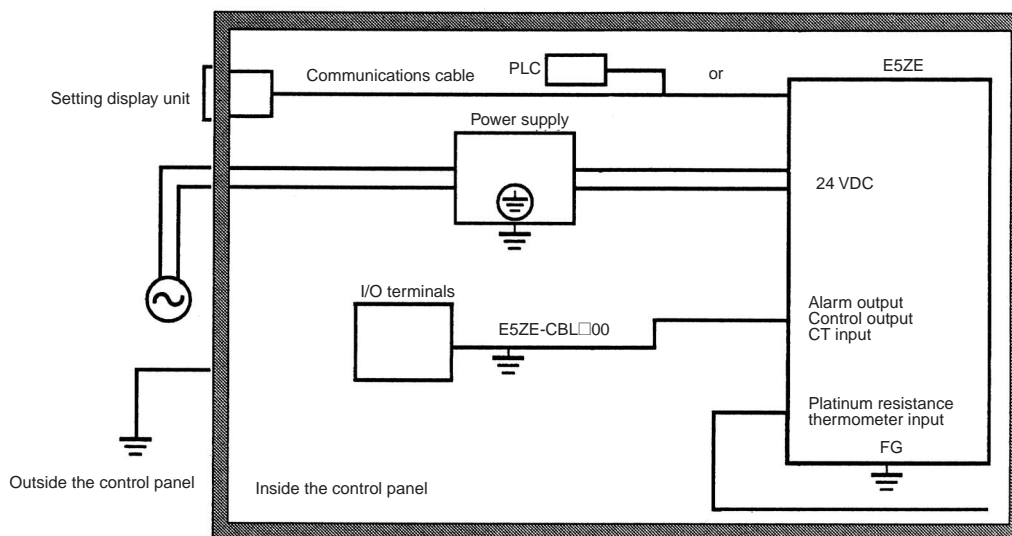
## ■ Wiring for Conformance to the EMC Directives

Conformance of the E5ZE to the EMC Directives has been confirmed according to the following conditions.

### Thermocouple Input Model



### Platinum Resistance Thermometer Input Model



- Note:**
1. Place the power supply, filter, input sensor, I/O terminals, and communications cable inside the control panel when wiring them.
  2. If the communications cable between devices extends outside the control panel, satisfy the following conditions when wiring them.
    - Use shielded cables for communications cables and ground to the FG.
    - Insert at least five ferrite cores close to the E5ZE.



# Installation

## I/O Units

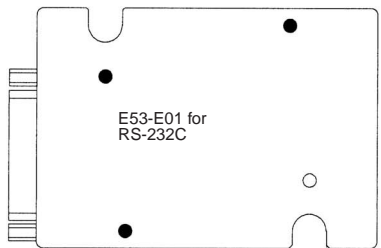
I/O Units are not mounted on the E5ZE.

Mount the appropriate I/O Units according to the specification of the E5ZE.

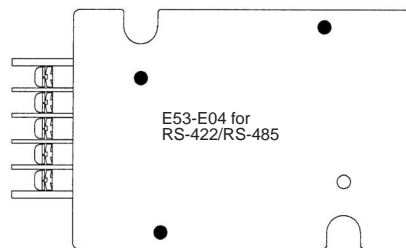
The diagram below is the view from the back of component side.

### Type of I/O Units

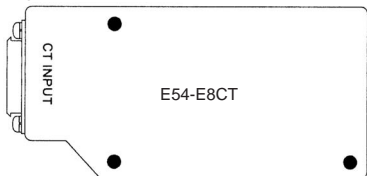
Communication Unit



or

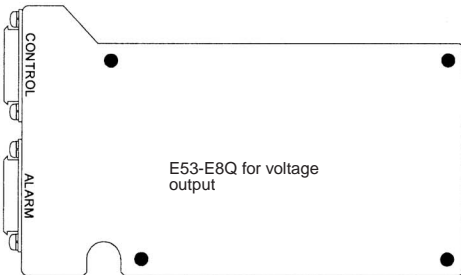


CT Input Unit

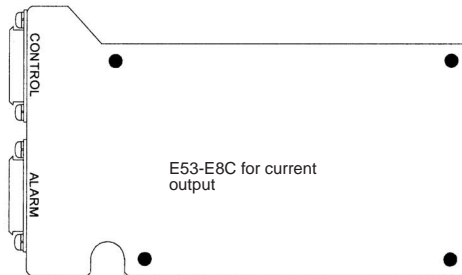


Use this CT input unit in combination with the E53-E8Q voltage output unit.

Output Unit

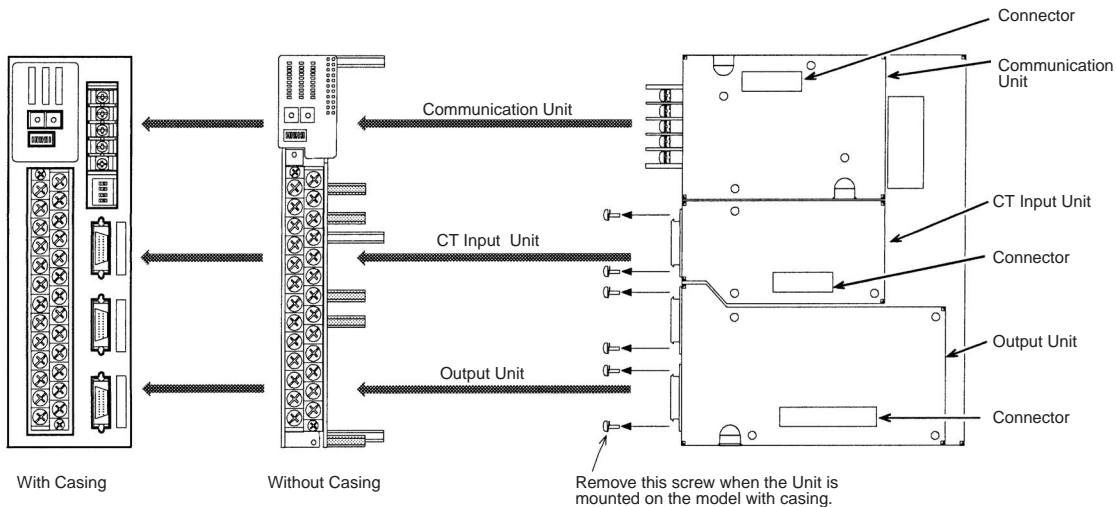


or



Tighten the screws through the holes marked with a black dot (●) to the fixing studs of the E5ZE.

### Mounting Position of I/O Units



## Mounting the Units

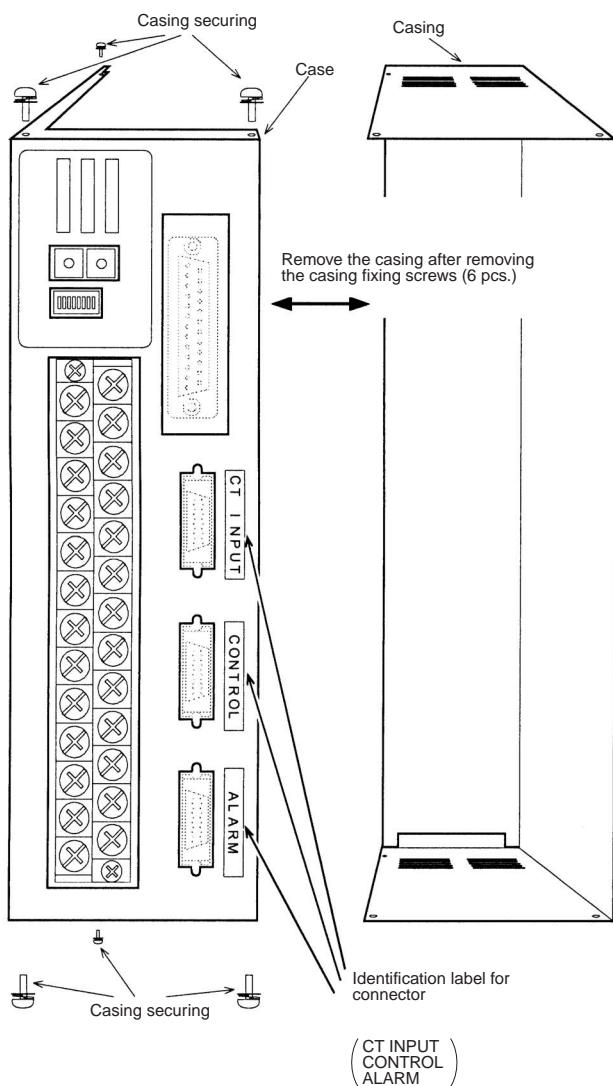
Use appropriate Phillips screwdriver for the screws. Use of an inappropriate screwdriver may damage the screws and cause insufficient tightening.

Mount the Units in an environment where anti-static electricity countermeasures have been taken.

Store the removed screws carefully and use them again when required.

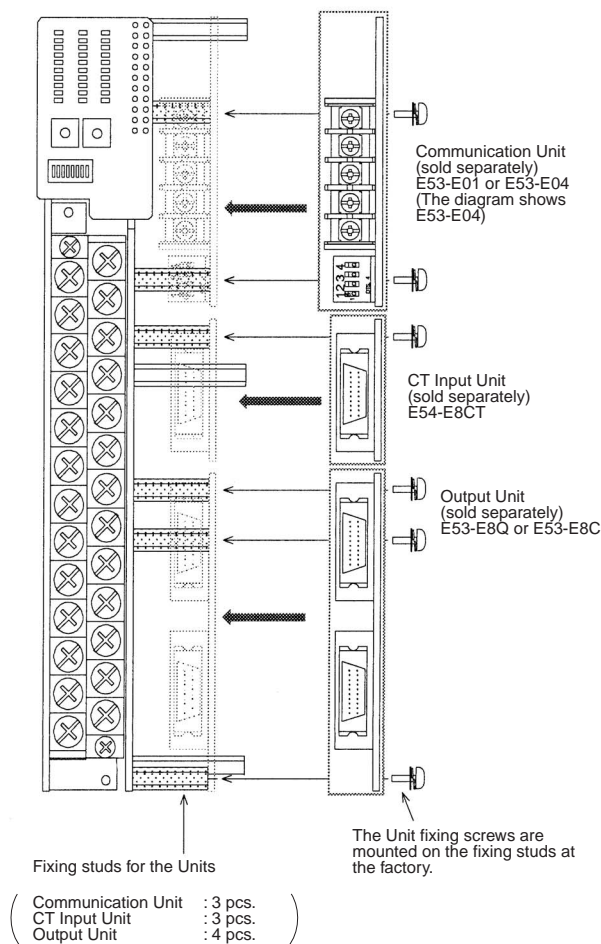
### Model With Casing

1. Remove the connector fixing screws (2 screws each for a connector) from the Units (except for communication unit).
2. Remove the casing fixing screws (6 screws).
3. Remove the casing.
4. Mount the Units in the same manner as the model without casing.
5. Fix the connector to the case using the connector fixing screws with a torque of 0.34 to 0.39 N·m.
6. Replace the casing in its original position using six casing fixing screws.



### Model Without Casing

1. Remove the Unit fixing screws.  
When CT Input Unit is not required, do not touch the corresponding screws. To prevent the studs from loosening, use a wrench to fix the studs.
2. Fix the Units in the designated position.  
Connect the Units and the E5ZE connector properly.
3. Fix the Units to the studs with fixing screws with a torque of 0.43 to 0.58 N·m.

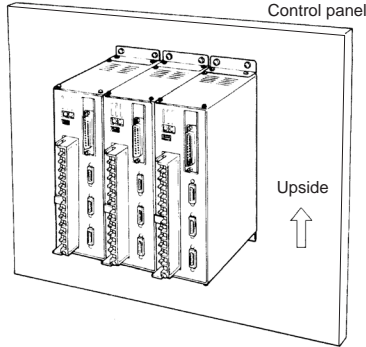


## ■ Mounting the Controllers

### E5ZE-8□AAM□B-E (Casing Type)

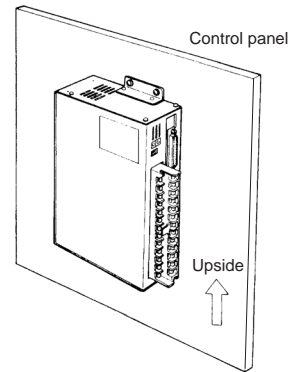
#### Side-by-side, Close Mounting

Saves space and improves wiring efficiency.



### Wall Mounting

Can be mounted to places with limited depth.



## Precautions

### ■ Correct Use

#### ⚠ WARNING

A lithium battery is used in the Temperature Controller. Do not take the Temperature Controller apart or allow it to be deformed under pressure, heated to 100°C or higher, or incinerated. The battery may ignite or erupt.

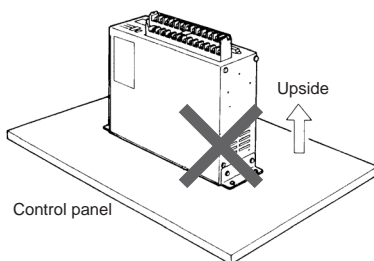
### ■ General Mounting Precautions

#### E5ZE-8□AAM□B-E (Casing Type)

The side of the E5ZE with the terminal block and connectors must not face up, otherwise operating errors may result.

Prepare four M4 screws to mount the E5ZE to control panels. Use flat washers and spring washers with screws to mount the E5ZE to control panels so that the screws will not loosen.

The mounting brackets must be attached to the E5ZE with the four M3 x 6 screws provided with the E5ZE and each of the screws should be tightened to a torque of 0.43 to 0.58 N·m, or 4.4 to 5.9 kgf·cm.



#### E5ZE-8□AAM□-E (Open Type)

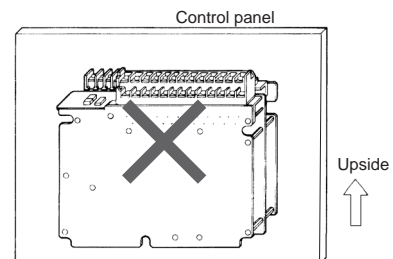
The side of the E5ZE with the terminal block and connectors must not face up, otherwise operating errors may result.

Use flat washers and spring washers with screws to mount the E5ZE to control panels so that the screws will not loosen.

Each of the screws should be tightened to a torque of 0.43 to 0.58 N·m, or 4.4 to 5.9 kgf·cm.

Do not use any mounting stud or screw other than the ones provided with the E5ZE.

If the stud screws are loose, tighten each of them to a torque of 0.43 to 0.58 N·m, or 4.4 to 5.9 kgf·cm.



## Warranty and Limitations of Liability

---

### ■ WARRANTY

OMRON's exclusive warranty is that the products are free from defects in materials and workmanship for a period of one year (or other period if specified) from date of sale by OMRON.

OMRON MAKES NO WARRANTY OR REPRESENTATION, EXPRESS OR IMPLIED, REGARDING NON-INFRINGEMENT, MERCHANTABILITY, OR FITNESS FOR PARTICULAR PURPOSE OF THE PRODUCTS. ANY BUYER OR USER ACKNOWLEDGES THAT THE BUYER OR USER ALONE HAS DETERMINED THAT THE PRODUCTS WILL SUITABLY MEET THE REQUIREMENTS OF THEIR INTENDED USE. OMRON DISCLAIMS ALL OTHER WARRANTIES, EXPRESS OR IMPLIED.

### ■ LIMITATIONS OF LIABILITY

OMRON SHALL NOT BE RESPONSIBLE FOR SPECIAL, INDIRECT, OR CONSEQUENTIAL DAMAGES, LOSS OF PROFITS, OR COMMERCIAL LOSS IN ANY WAY CONNECTED WITH THE PRODUCTS, WHETHER SUCH CLAIM IS BASED ON CONTRACT, WARRANTY, NEGLIGENCE, OR STRICT LIABILITY.

In no event shall the responsibility of OMRON for any act exceed the individual price of the product on which liability is asserted.

IN NO EVENT SHALL OMRON BE RESPONSIBLE FOR WARRANTY, REPAIR, OR OTHER CLAIMS REGARDING THE PRODUCTS UNLESS OMRON'S ANALYSIS CONFIRMS THAT THE PRODUCTS WERE PROPERLY HANDLED, STORED, INSTALLED, AND MAINTAINED AND NOT SUBJECT TO CONTAMINATION, ABUSE, MISUSE, OR INAPPROPRIATE MODIFICATION OR REPAIR.

## Application Considerations

---

### ■ SUITABILITY FOR USE

OMRON shall not be responsible for conformity with any standards, codes, or regulations that apply to the combination of products in the customer's application or use of the products.

At the customer's request, OMRON will provide applicable third party certification documents identifying ratings and limitations of use that apply to the products. This information by itself is not sufficient for a complete determination of the suitability of the products in combination with the end product, machine, system, or other application or use.

The following are some examples of applications for which particular attention must be given. This is not intended to be an exhaustive list of all possible uses of the products, nor is it intended to imply that the uses listed may be suitable for the products.

- Outdoor use, uses involving potential chemical contamination or electrical interference, or conditions or uses not described in this catalog.
- Nuclear energy control systems, combustion systems, railroad systems, aviation systems, medical equipment, amusement machines, vehicles, safety equipment, and installations subject to separate industry or government regulations.
- Systems, machines, and equipment that could present a risk to life or property.

Please know and observe all prohibitions of use applicable to the products.

NEVER USE THE PRODUCTS FOR AN APPLICATION INVOLVING SERIOUS RISK TO LIFE OR PROPERTY WITHOUT ENSURING THAT THE SYSTEM AS A WHOLE HAS BEEN DESIGNED TO ADDRESS THE RISKS, AND THAT THE OMRON PRODUCTS ARE PROPERLY RATED AND INSTALLED FOR THE INTENDED USE WITHIN THE OVERALL EQUIPMENT OR SYSTEM.

**ALL DIMENSIONS SHOWN ARE IN MILLIMETERS.**

To convert millimeters into inches, multiply by 0.03937. To convert grams into ounces, multiply by 0.03527.

Cat. No. H075-E1-03A **In the interest of product improvement, specifications are subject to change without notice.**

---

### OMRON Corporation

Industrial Automation Company

#### Measuring and Control Division

Shiokoji Horikawa, Shimogyo-ku,  
Kyoto, 600-8530 Japan

Tel: (81)75-344-7080/Fax: (81)75-344-7189

Printed in Japan  
0203-0.3M (0597) (A)